



GONDOR

INNOVATION MAKES VALUES



www.gondorindustry.com



CONTENTS



TOPIC	PAGE
QDST-40/60 FULLY AUTOMATIC ICE CREAM EGG TRAY MACHINE	01
BDST-40 SEMI AUTOMATIC COFFEE CUP AND EGG BARREL MACHINE	02
BZZC-15/18 MOULD SEMI-AUTOMATIC TURNTABLE CRISPY EGG SHELLMACHINE	03
DST-40 EGG CARRIER	04
EGG MACHINE SERIES	05
PIZZA CUP (PIZZA) EGG TRAY MACHINE	09
SAMPLE DRAWING OF EGG TRAY	10
EUROPEAN SOFT ICE CREAM MACHINE SERIES	18
TABLE ICE CREAM MACHINE SERIES	19
FRIED ICE MACHINE SERIES	20

QDST- 40/60 FULLY AUTOMATIC ICE CREAM EGG TRAY MACHINE



Technical Parameter

Model	QDST-40	QDST-60
Project		
Number of baking per session	40 PCS	60 PCS
Capacity / h	1200-1400 PCS	1800-2000 PCS
Voltage	380V/50HZ、60HZ	380V/50HZ、60HZ
Heating method	Electric heating	Electric heating
Power	18KW	25KW
Each baking time	1-2/Min	1-2/Min
Operation method	Fully automatic	Fully automatic
Cylinder working pressure	0.6-0.8Mpa	0.6-0.8Mpa
Machine dimensions	1200*1600*2080mm	1180*1810*2120mm
Machine net weight	800KG	1000KG
Packaging size	1300*1750*2200mm	1280*1950*2250mm
Machine gross weight	1000KG	1200KG

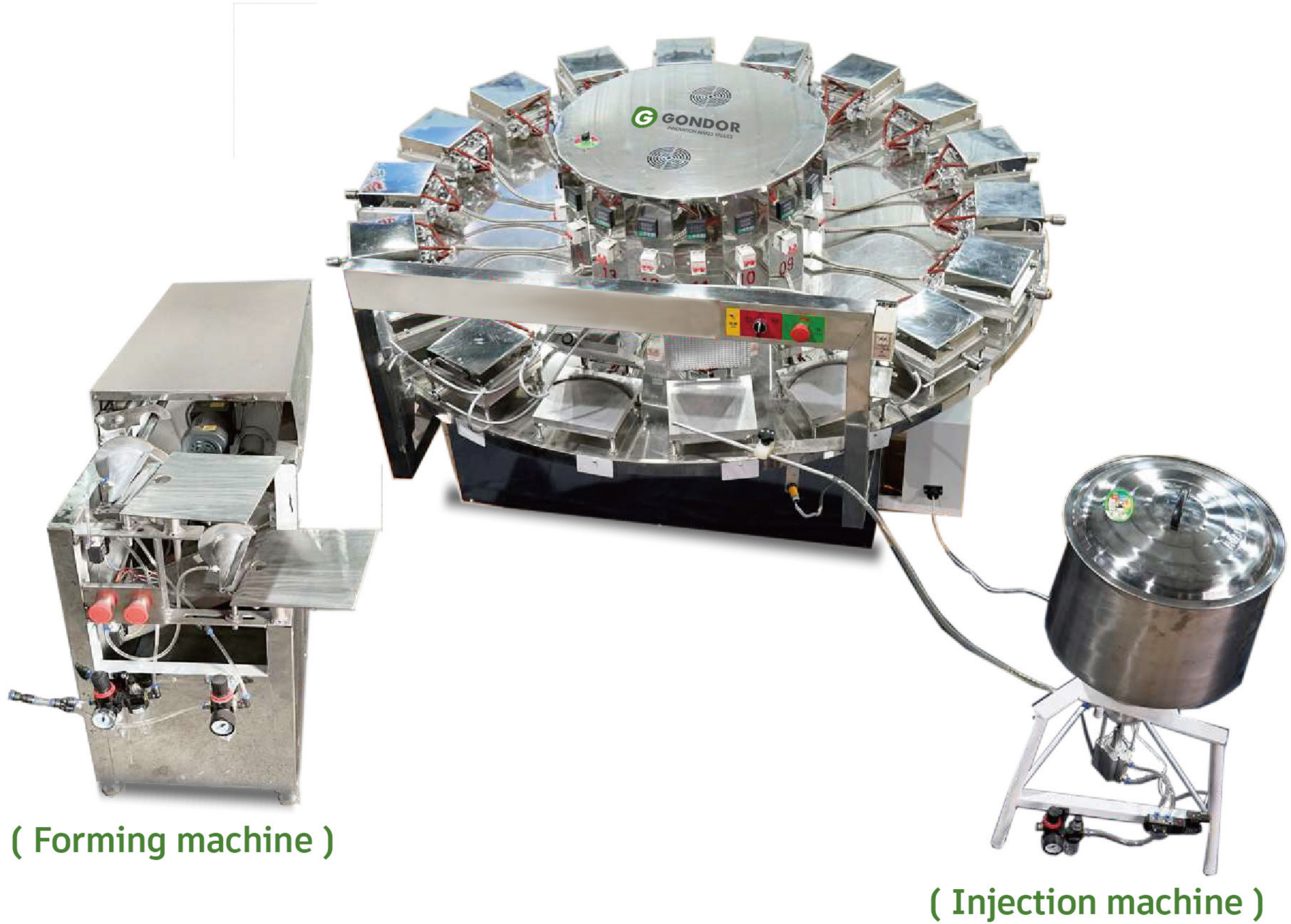
BDST- 40 SEMI AUTOMATIC COFFEE CUP AND EGG BARREL MACHINE



Technical Parameter

Number of baking per session	Capacity (PCS/H)	Voltage	Heating method	Power (KW)	Baking time (Min)	Material feeding method	Feeding method	Cylinder working pressure (Mpa)	Machine dimensions (mm)	Machine net weight (kg)	Packaging size (mm)	Machine gross weight (kg)
40PCS	600-800	380V 50HZ/60HZ	Electric heating	21	2.5-5	Automatic	Manual tray pushing	0.6-0.8	1200*1600*2200	790	1300*1750*2300	890

BZZC-15/18 MOULD SEMI-AUTOMATIC TURNTABLE CRISPY EGG SHELL MACHINE



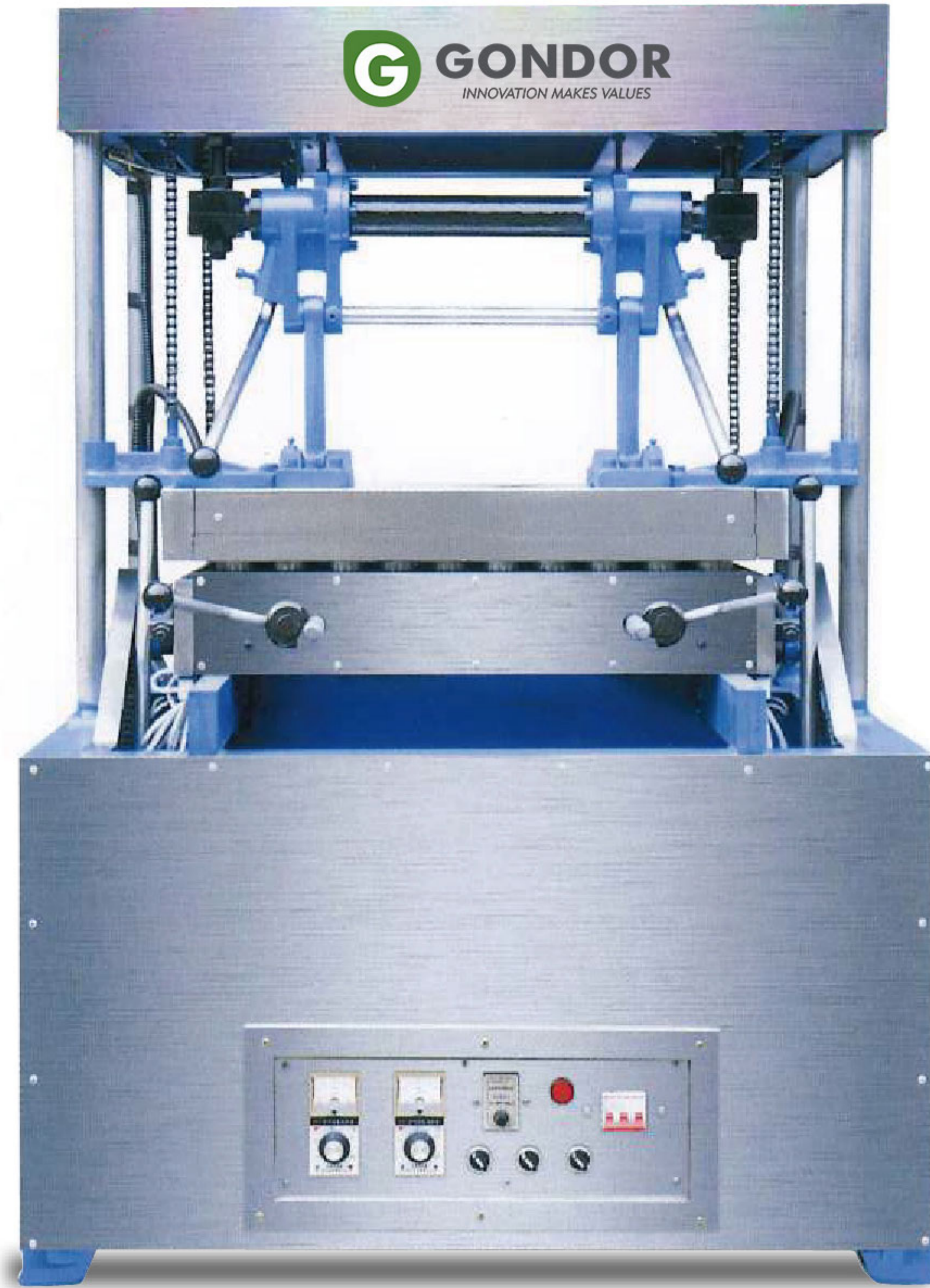
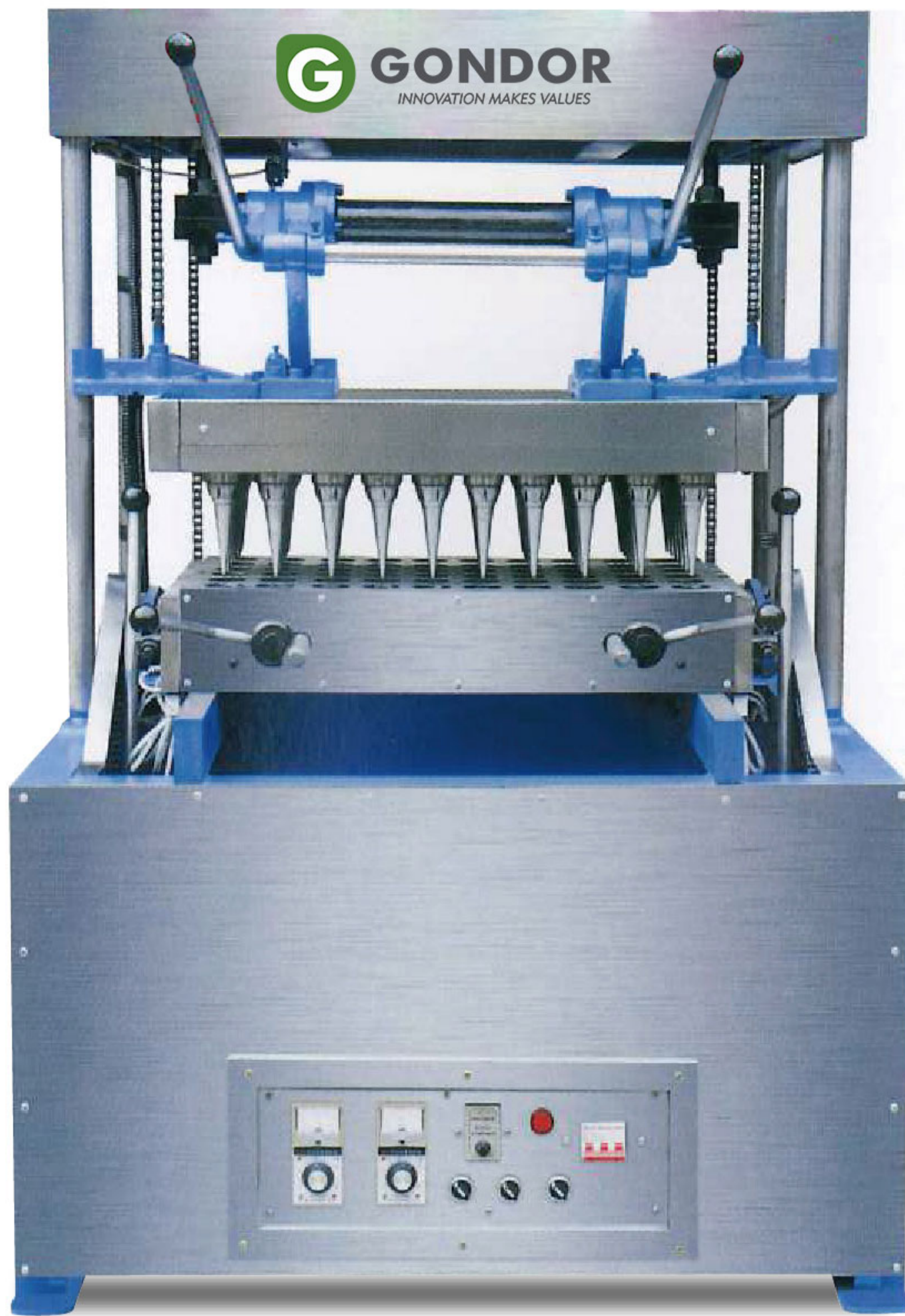
(Forming machine)

(Injection machine)

Technical Parameter

Project / Model	BZZC-15	BZZC-18
Capacity	1000PCS/h	1300 PCS/h
Number of molds	15 sets	18 sets
Voltage	380V、220V/50HZ、60HZ	380V、220V/50HZ、60HZ
Power	18KW	21KW
Paired with air compressor	4KW/0.8Mpa	4KW/0.8Mpa
Feeding method	Continuous automatic feeding	Continuous automatic feeding
Machine dimensions	2000*2000*1200mm	2000*2000*1200mm
Machine net weight	700KG	880KG
Packaging size	2200*2200*1350mm	2200*2200*1350mm
Gross weight	900KG	1080KG

DST- 40 EGG CARRIER

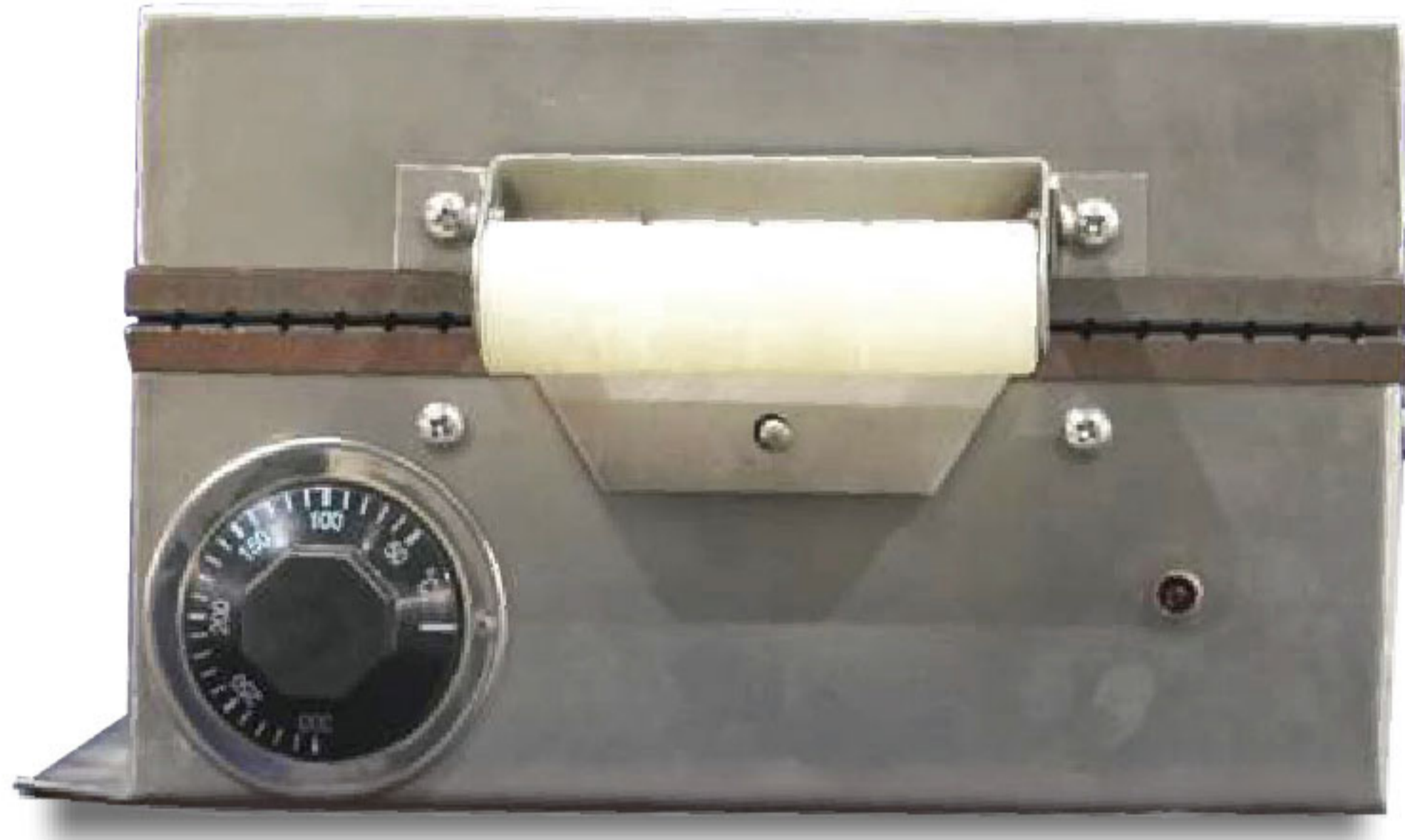


- This machine is a new model recently launched by our company in the DST series, with 60 egg trays baked each time.

Technical Parameter

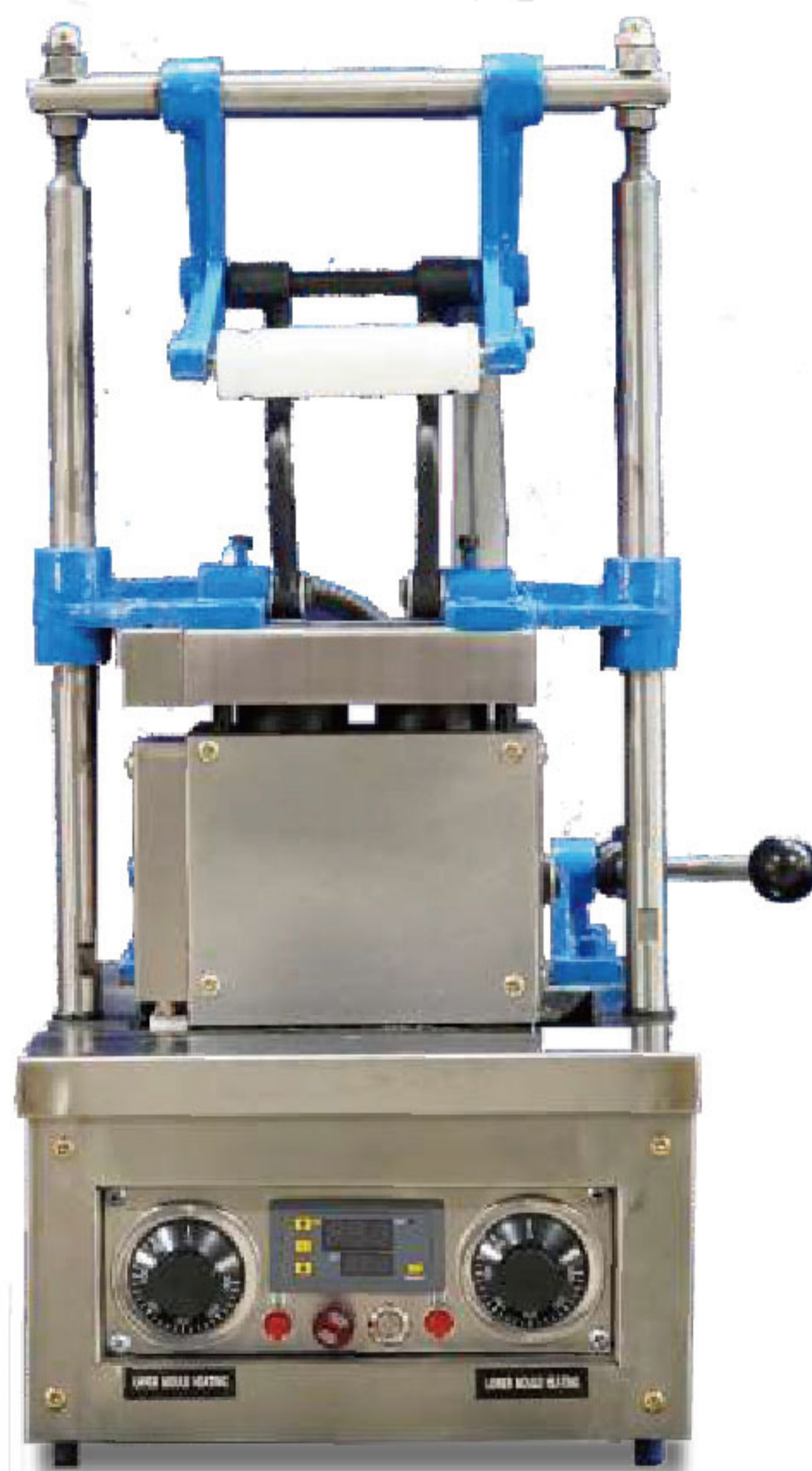
Baking quantity/time	Capacity (PCS/H)	Baking cycle/time	Opening and closing mode	Installed power (kw)	Voltage	External dimensions (mm)	Packaging size (mm)	Machine net weight (KG)	Machine gross weight (KG)
60PCS	2000-2500	1-2 min	Manual	25	380V	1120*1080*1550	1240*1180*1660	1046	1130

EGG MACHINE SERIES



DST-1 BRITTLE SKIN MACHINE

Project	Baking quantity /time	Capacity (PCS/H)	Baking cycle/time	Opening and closing mode	Installed power (kw)	Voltage	External dimensions (mm)	Packaging size (mm)	Net weight (KG)	Gross weight (KG)
Parameter	1 PCS	On site production	1-2 min	Manual	1.2	220V	320*280*160	360*360*210	20	24



DST-2 EGG CARRIER

Project	Baking quantity /time	Capacity (PCS/H)	Baking cycle/time	Opening and closing mode	Installed power (kw)	Voltage	External dimensions (mm)	Packaging size (mm)	Net weight (KG)	Gross weight (KG)
Parameter	2 PCS	50-60	1-2 min	Manual	1.8	220V	450*350*700	500*400*770	45	54

EGG MACHINE SERIES



DST-4 EGG CARRIER

Project	Baking quantity /time	Capacity (PCS/H)	Baking cycle/time	Opening and closing mode	Installed power (kw)	Voltage	External dimensions (mm)	Packaging size (mm)	Net weight (KG)	Gross weight (KG)
Parameter	4 PCS	100-120	1-2 min	Manual	3.6	220V	470*430*650	570*520*770	75	82



DST-10 EGG CARRIER

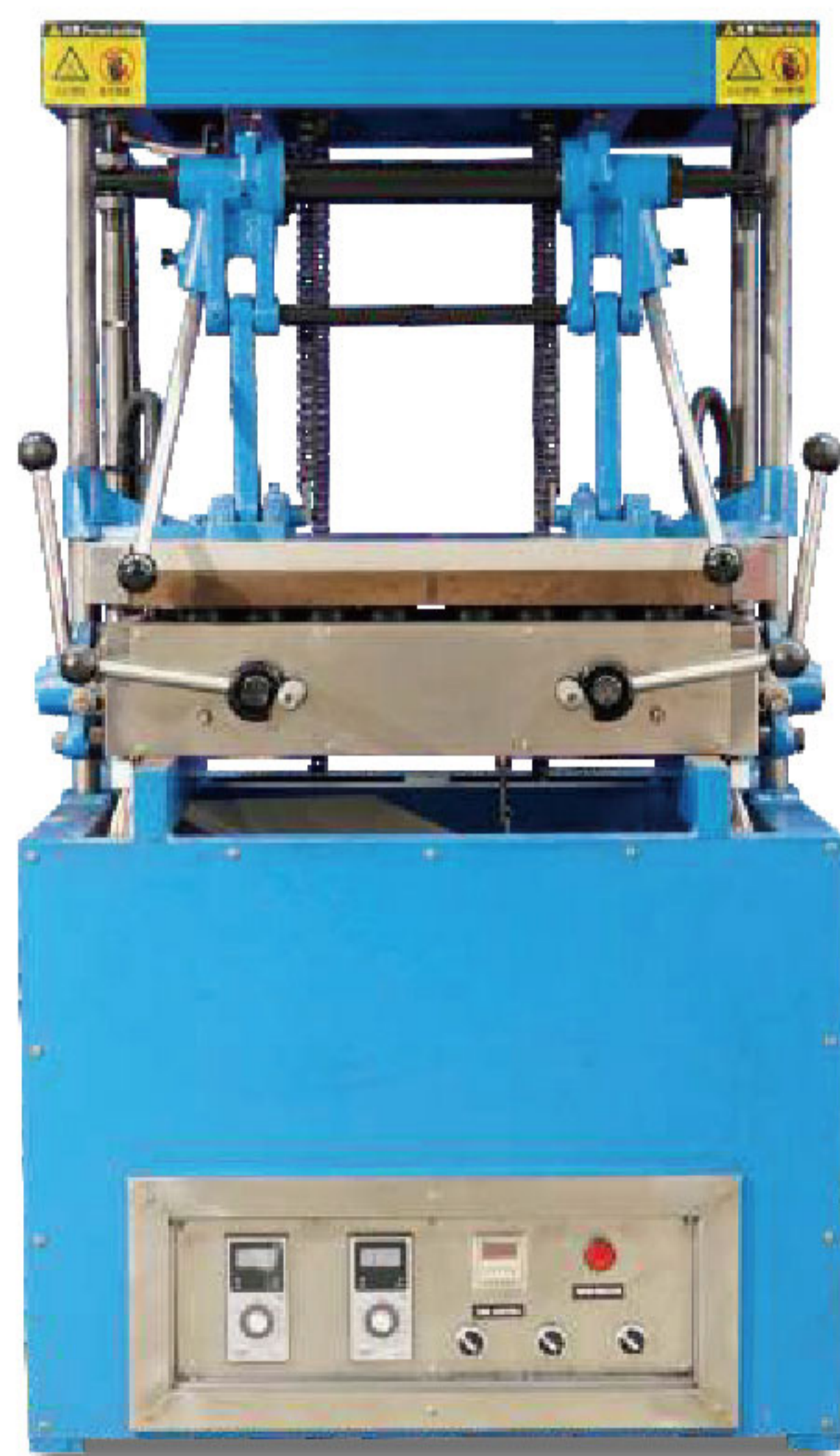
Project	Baking quantity /time	Capacity (PCS/H)	Baking cycle/time	Opening and closing mode	Installed power (kw)	Voltage	External dimensions (mm)	Packaging size (mm)	Net weight (KG)	Gross weight (KG)
Parameter	10PCS	250-300	1-2 min	Manual	5	220V	760*600*1050	970*680*1200	220	250

EGG MACHINE SERIES



DST-12(24/32)EGG CARRIER

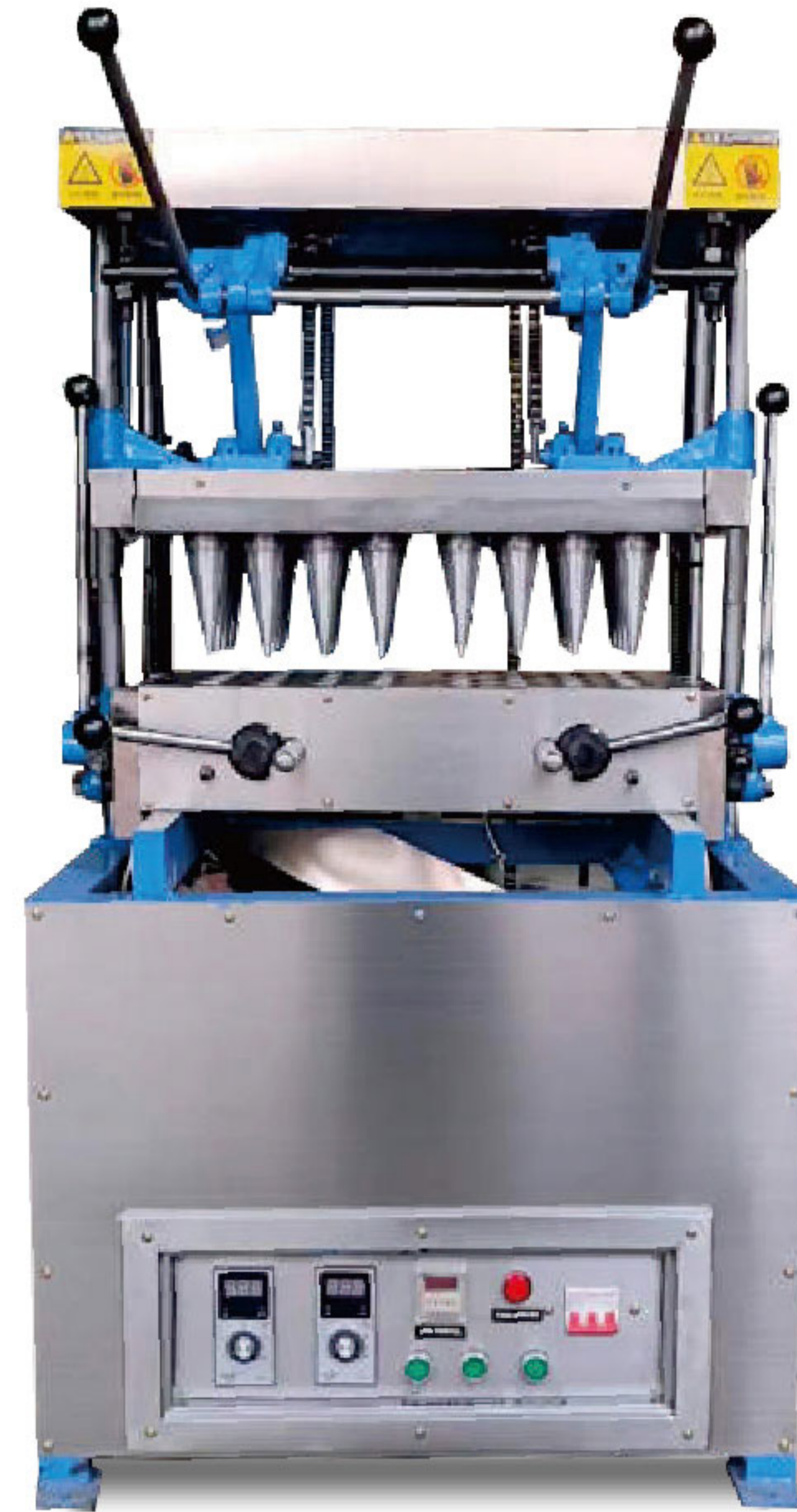
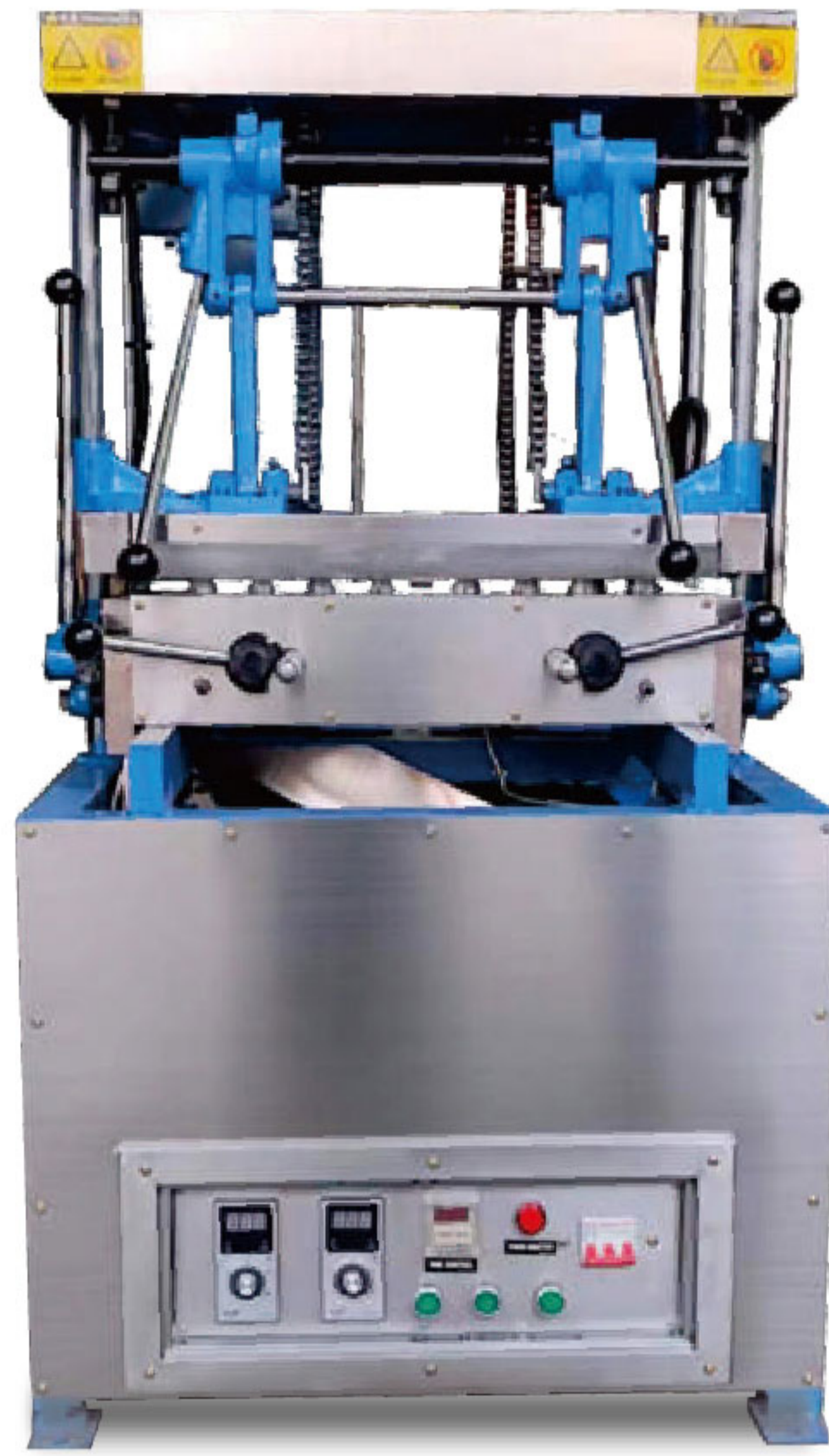
Project	Baking quantity /time	Capacity (PCS/H)	Baking cycle /time	Opening and closing mode	Installed power (kw)	Voltage	External dimensions (mm)	Packaging size (mm)	Net weight (KG)	Gross weight (KG)
DST-12	12PCS	300-350	1-2min	Manual	9	220V	800*700*880	940*760*1070	180	200
DST-24	24PCS	600-800	1-2min	Manual	12	380V 220V	1050*800*900	1140*960*1150	320	350
DST-32	32PCS	800-1000	1-2 min	Manual	15	380V 220V	1200*800*900	1280*960*1150	350	410



DST-24 EGG CARRIER

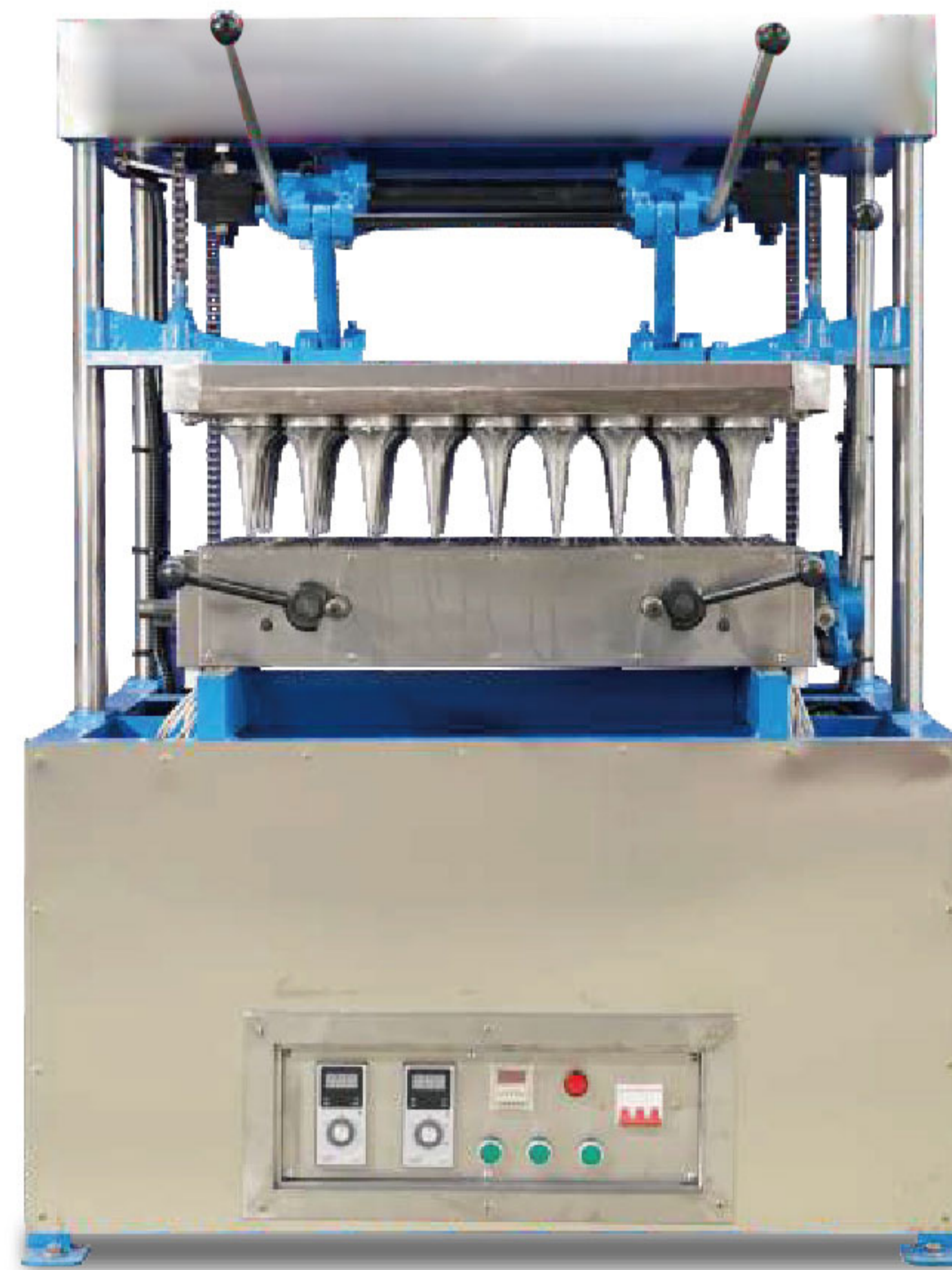
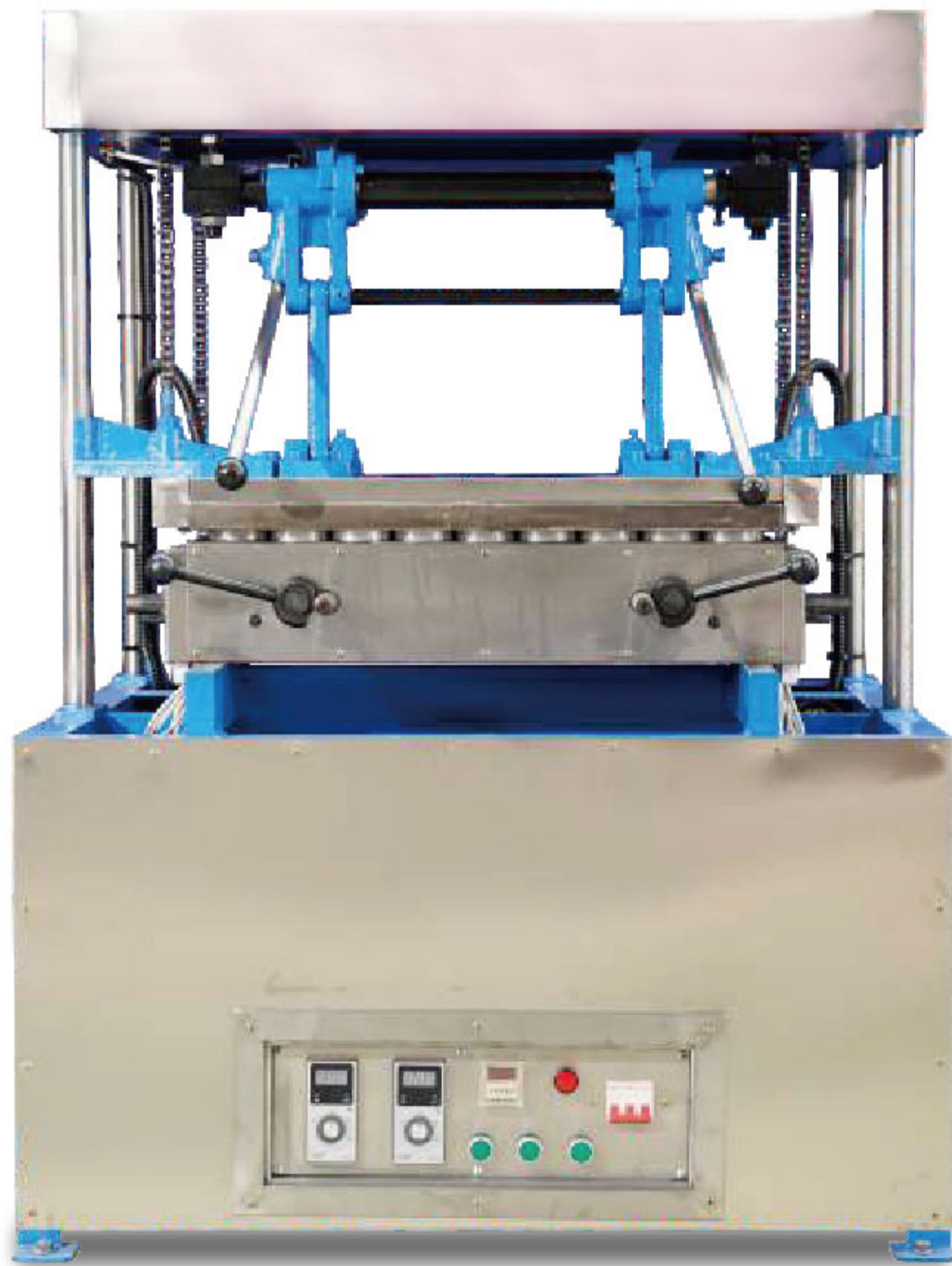
Project	Baking quantity /time	Capacity (PCS/H)	Baking cycle/time	Opening and closing mode	Installed power (kw)	Voltage	External dimensions (mm)	Packaging size (mm)	Net weight (KG)	Gross weight (KG)
Parameter	24PCS	600-800	1-2 min	Manual	12	380V	730*800*1370	890*820*1500	400	420

EGG MACHINE SERIES



DST-32C EGG CARRIER

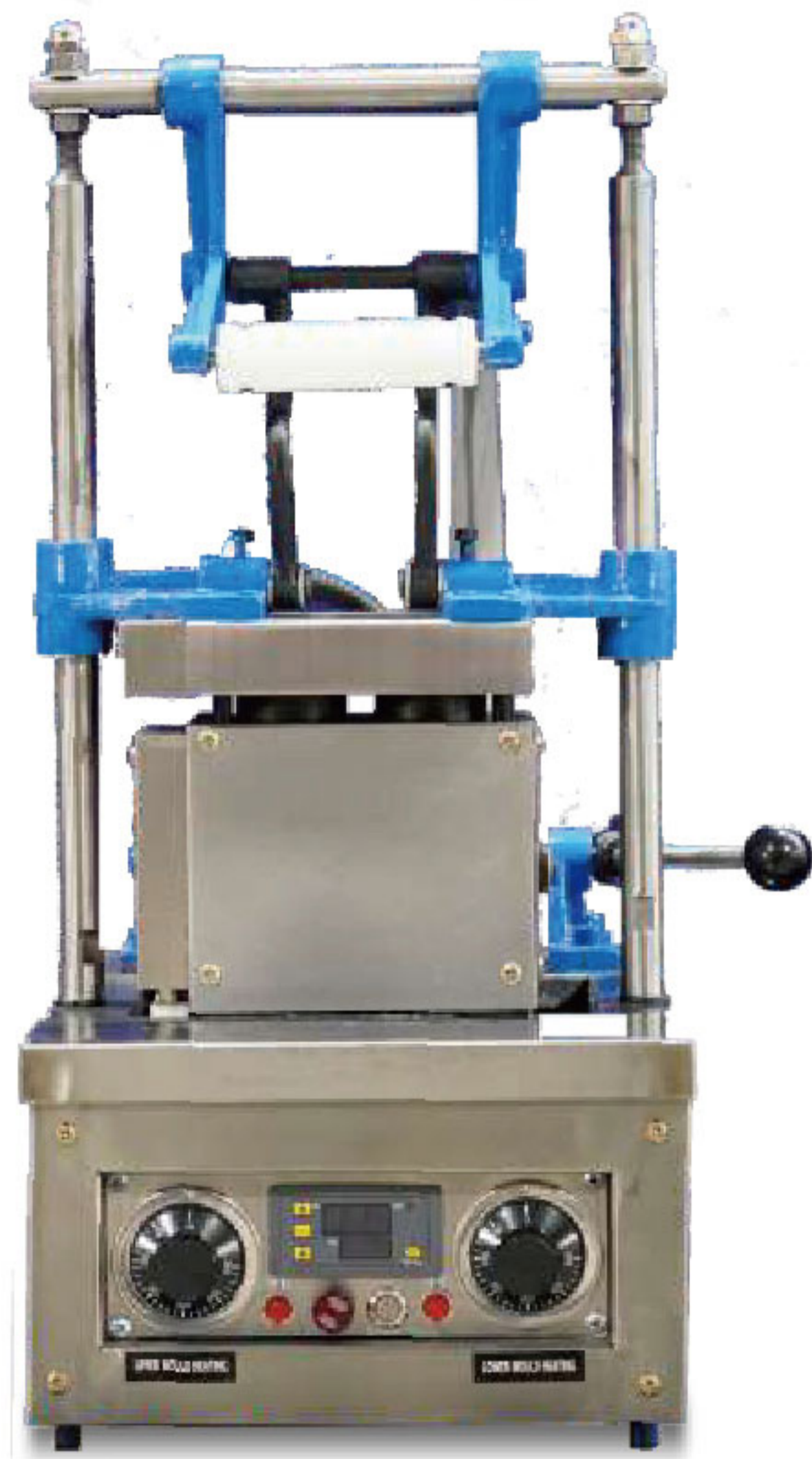
Project	Baking quantity /time	Capacity (PCS/H)	Baking cycle/time	Opening and closing mode	Installed power (kw)	Voltage	External dimensions (mm)	Packaging size (mm)	Net weight (KG)	Gross weight (KG)
Parameter	32PCS	800-1000	1-2 min	Manual	15	380V	880*800*1380	900*1000*1540	480	510



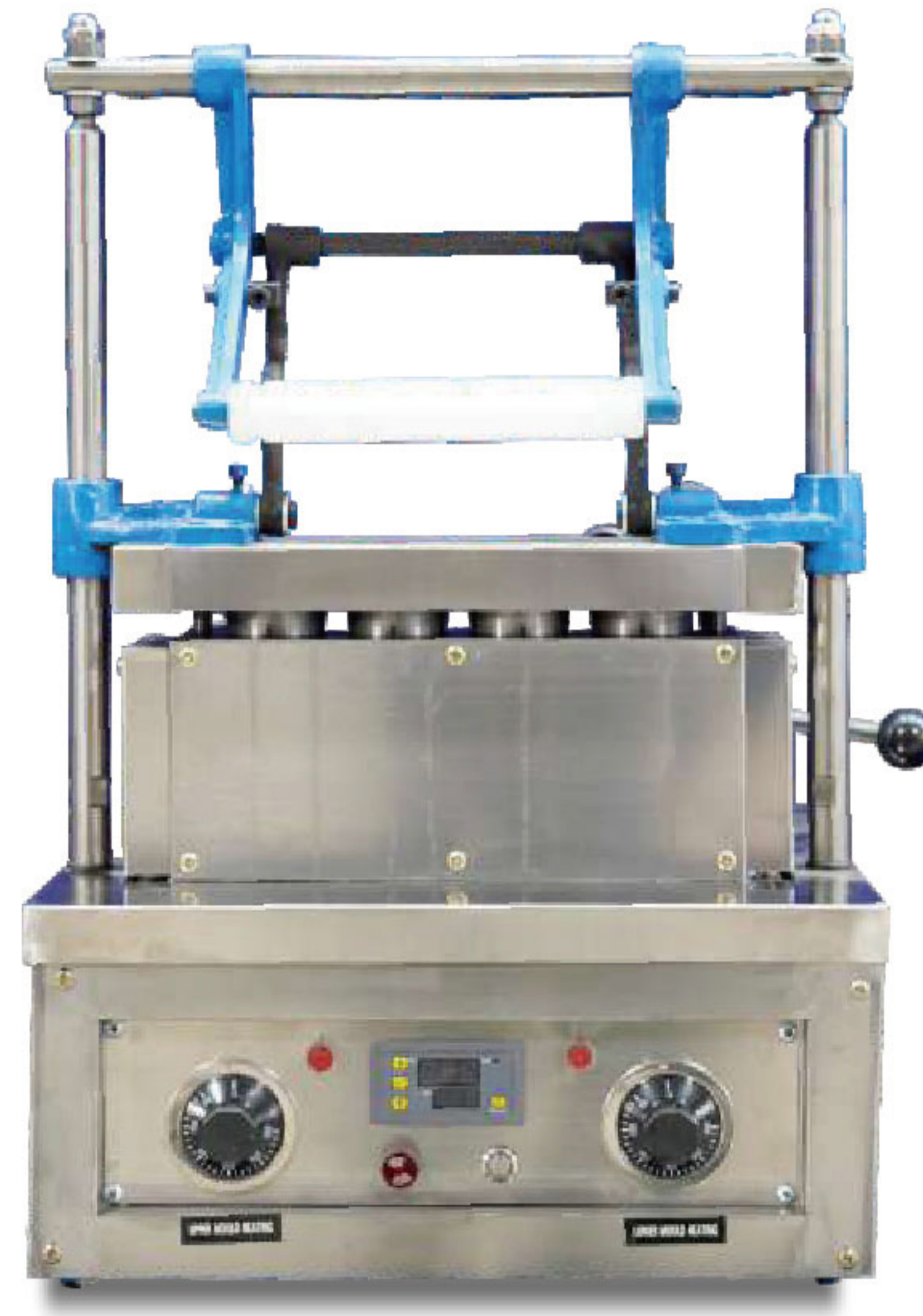
DST- 40C EGG CARRIER

Project	Baking quantity /time	Capacity (PCS/H)	Baking cycle/time	Opening and closing mode	Installed power (kw)	Voltage	External dimensions (mm)	Packaging size (mm)	Net weight (KG)	Gross weight (KG)
Parameter	40PCS	1400-1600	1-2 min	Manual	18	380V	1080*890*1465	1120*930*1620	660	720

PIZZA CUP (PIZZA) EGG TRAY MACHINE



DST-2



DST-4



∅ 70*140 Conch shaped pizza cup



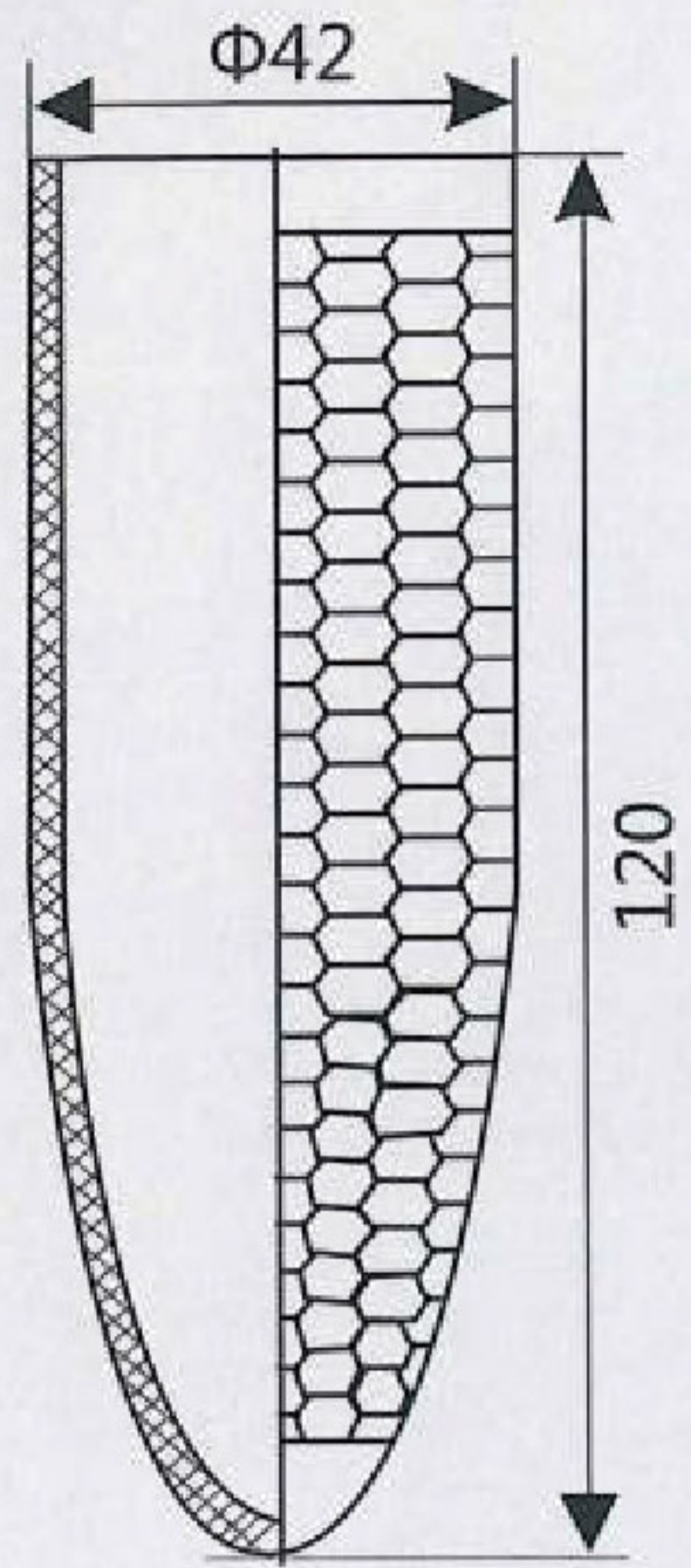
∅ 60*140 Conical pizza cup

PIZZA CUP MODEL AND MAIN TECHNICAL PARAMETERS

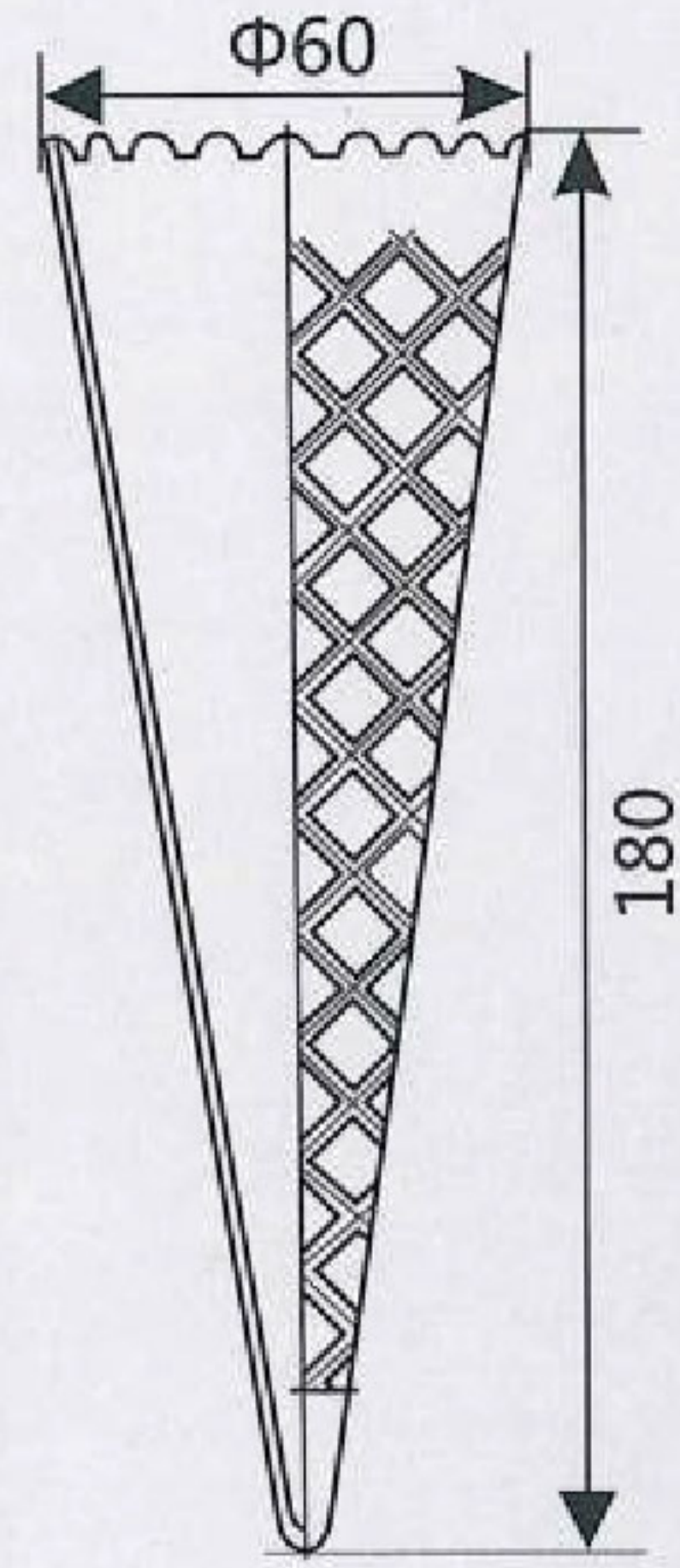
Parameter	Model	DST-2	DST-4
Number of pallets in one batch		2	4
Capacity (PCS/H)		120	240
Baking cycle		50-60s	50-60s
Opening and closing mode		Manual	Manual
Installed power		1.8kw	3.6kw
Voltage		220v	220v
External dimensions (mm)		450*350*700	470*430*650
Packaging size (mm)		500*400*770	570*520*770
Net weight (kg)		45	75
Gross weight (kg)		54	82

SAMPLE DRAWING OF EGG TRAY

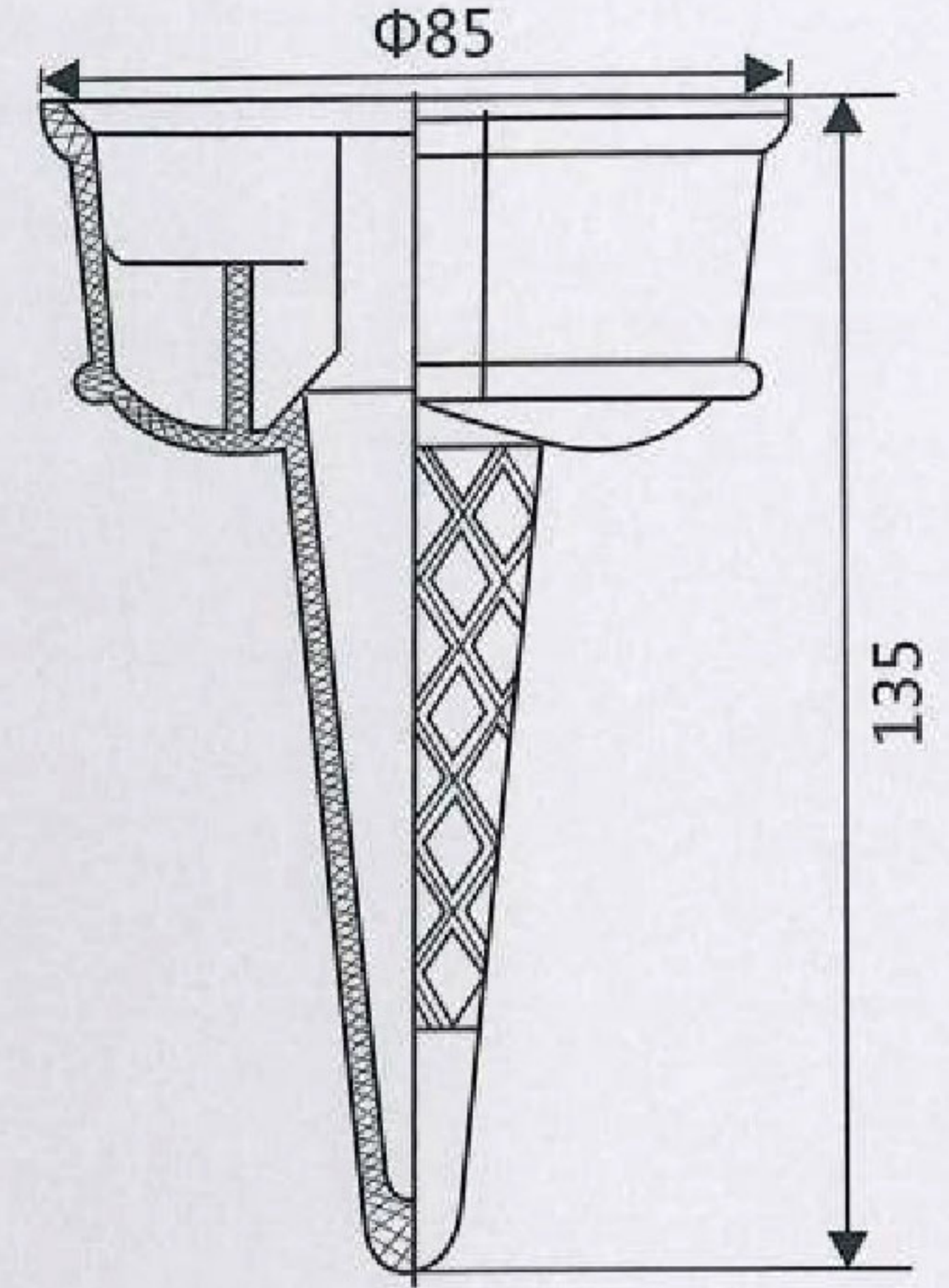
Corn egg tray



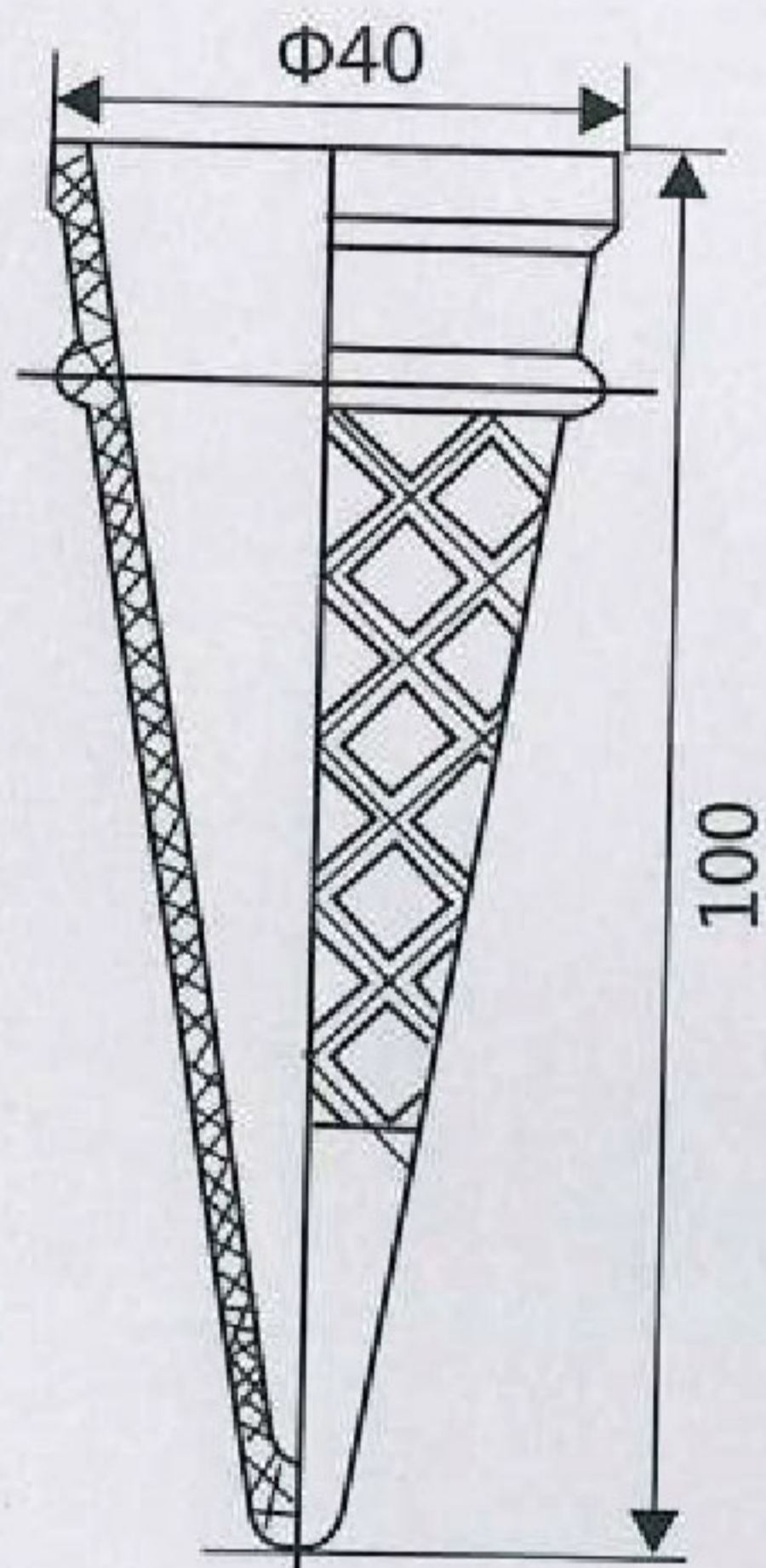
Big bull horn egg butter



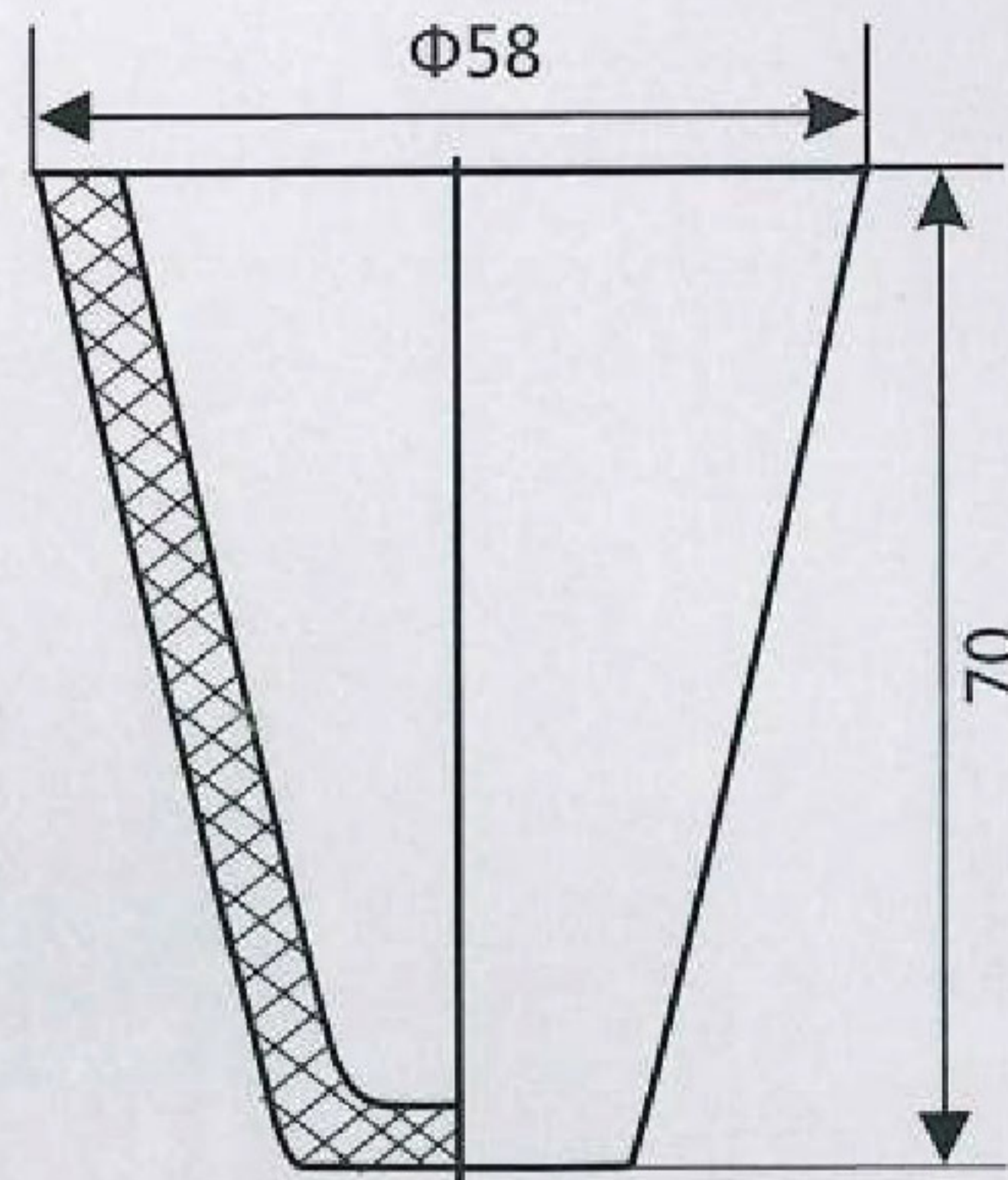
Large double headed torch



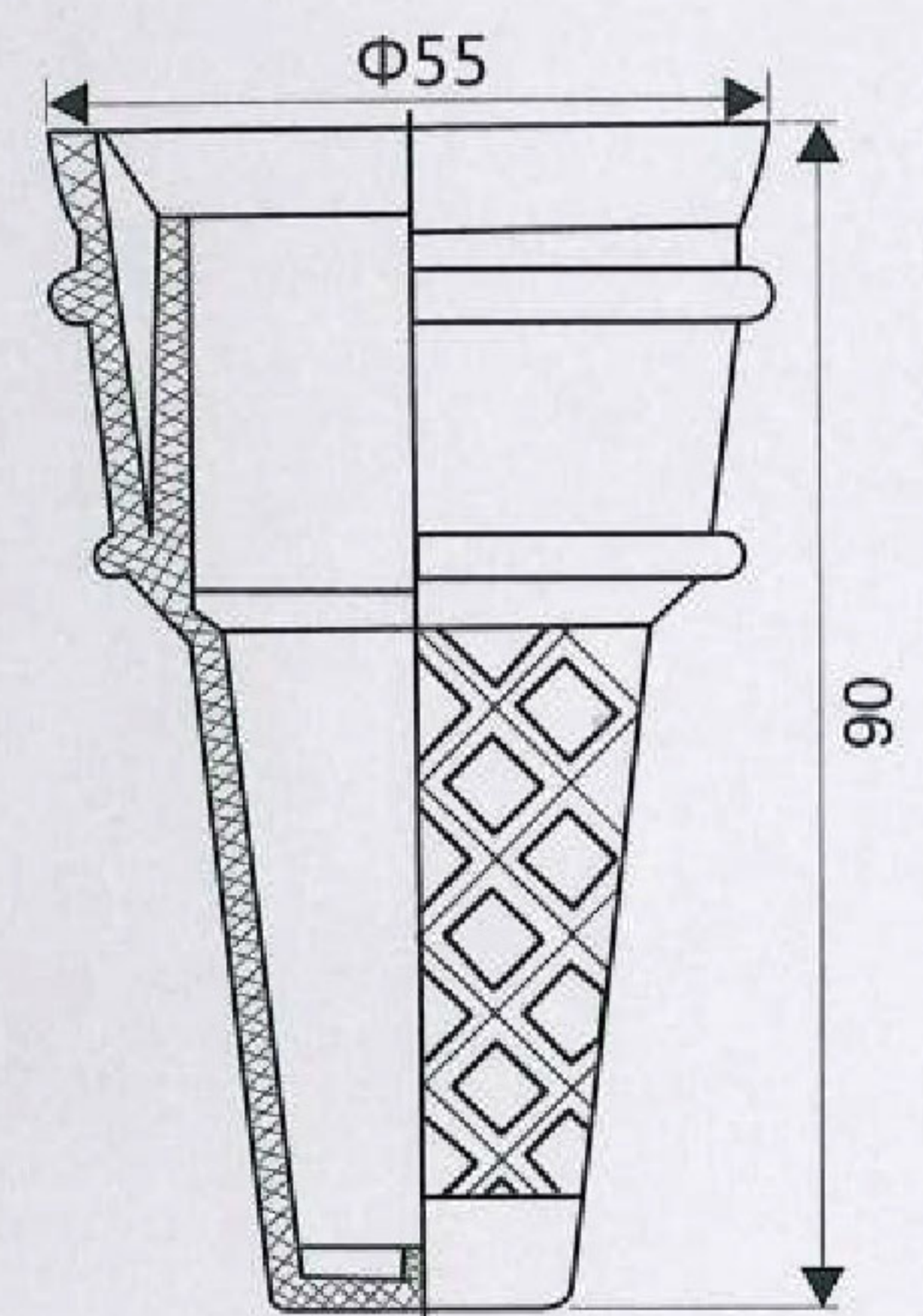
Φ 40*100 Bullhorn shaped egg tray



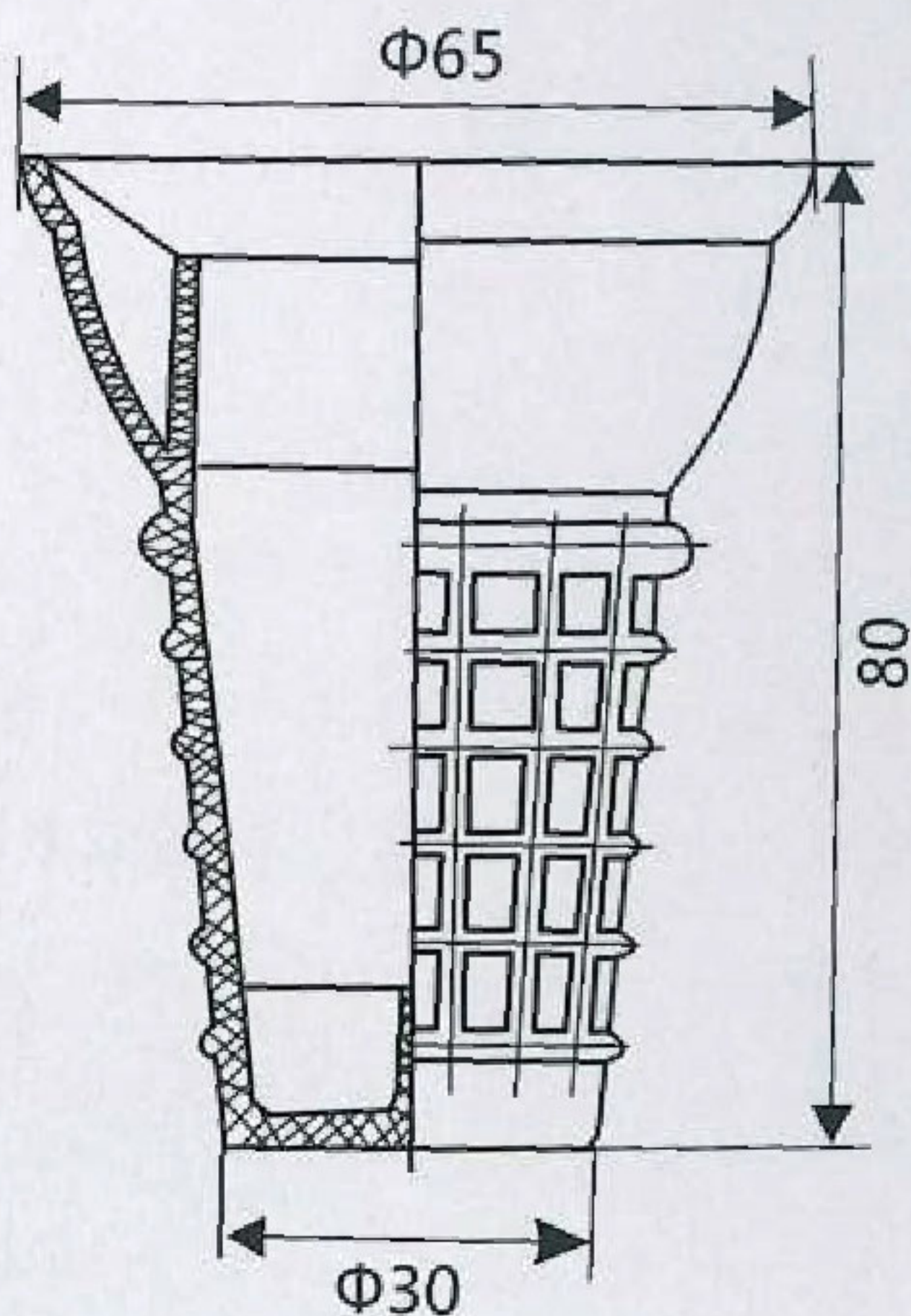
Pizza egg tray



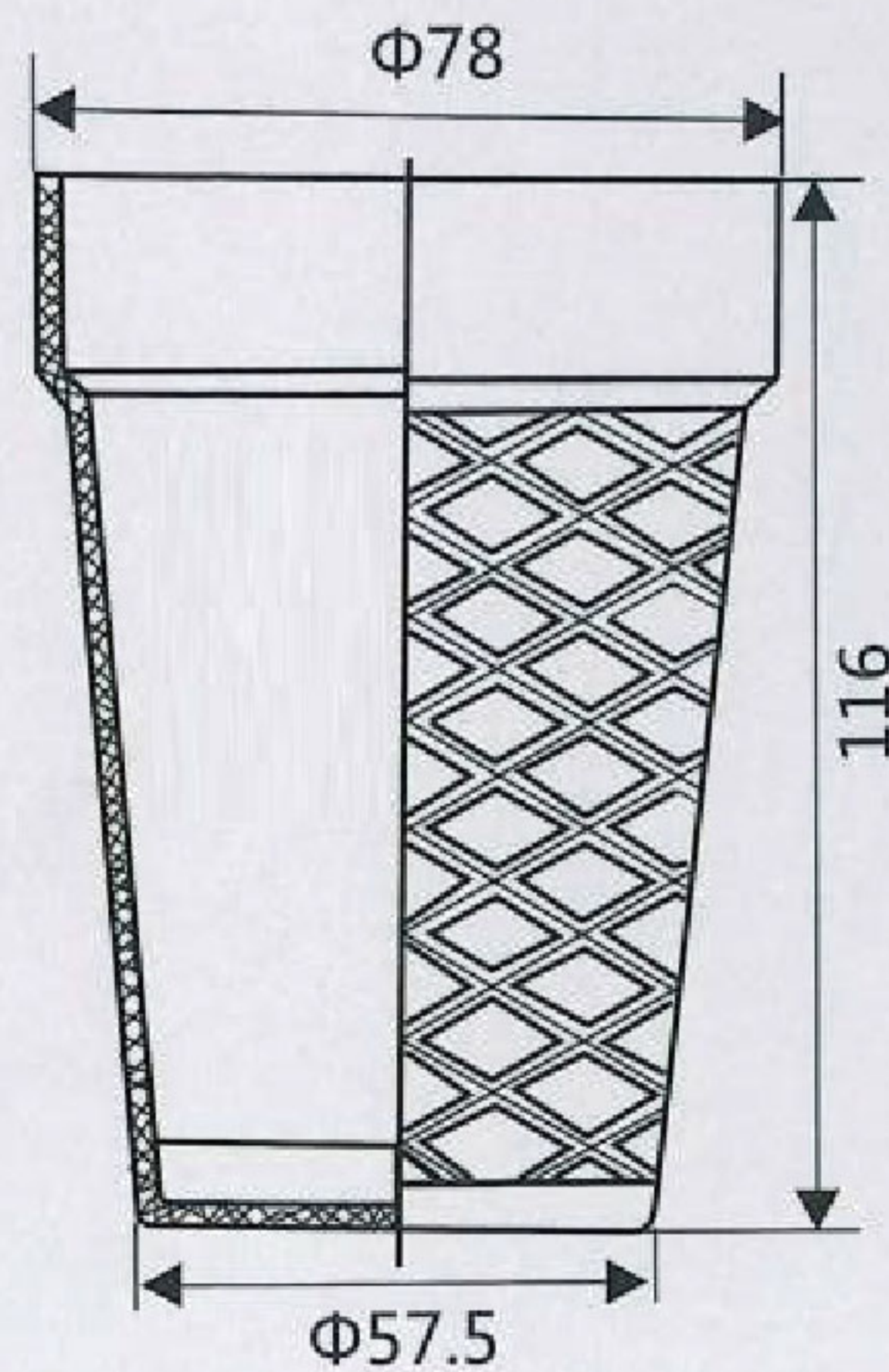
Flat bottomed egg tray



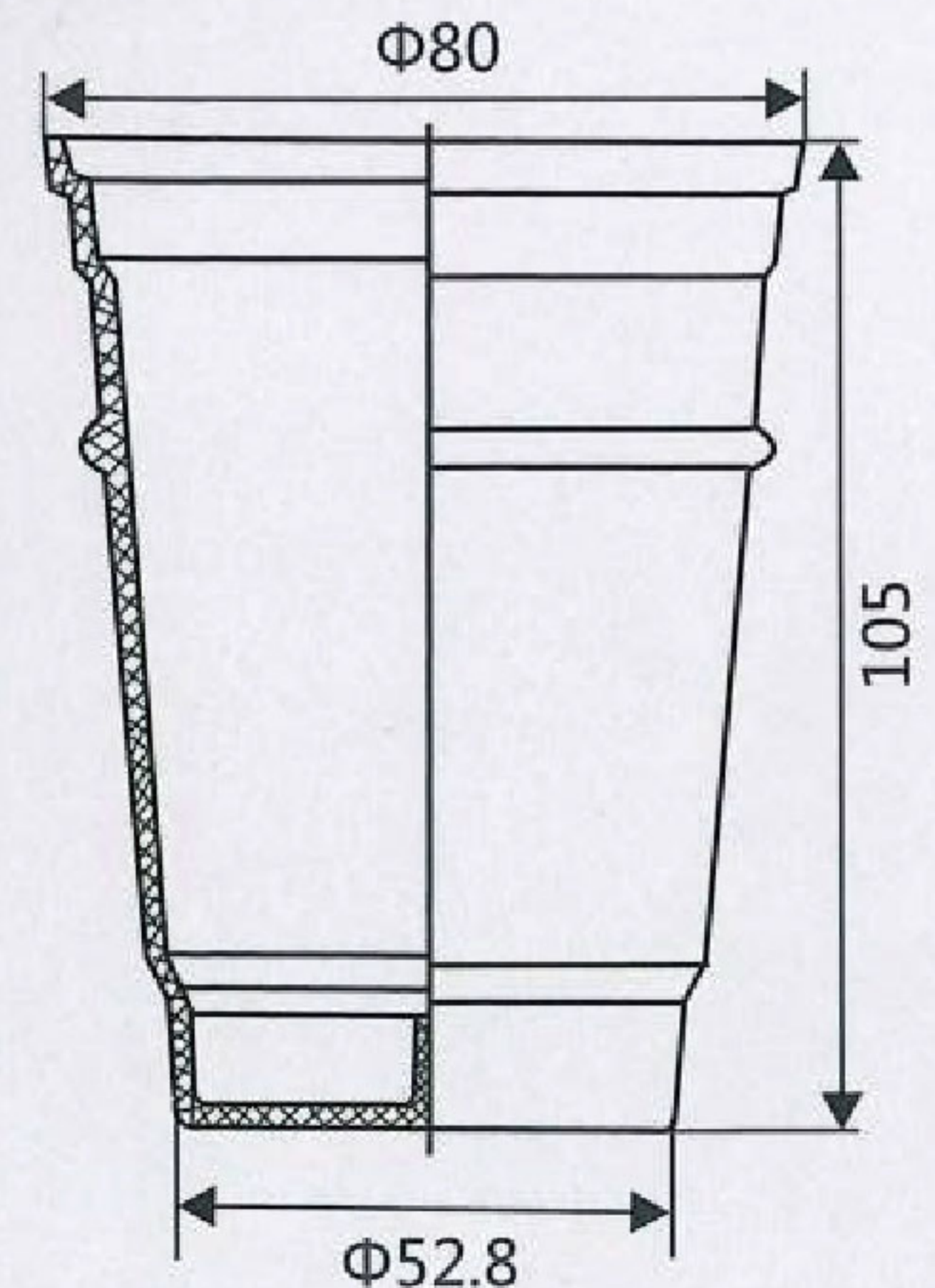
Φ 65*80 Flat bottomed torch egg tray



Φ 78*116 Cup-shaped egg tray



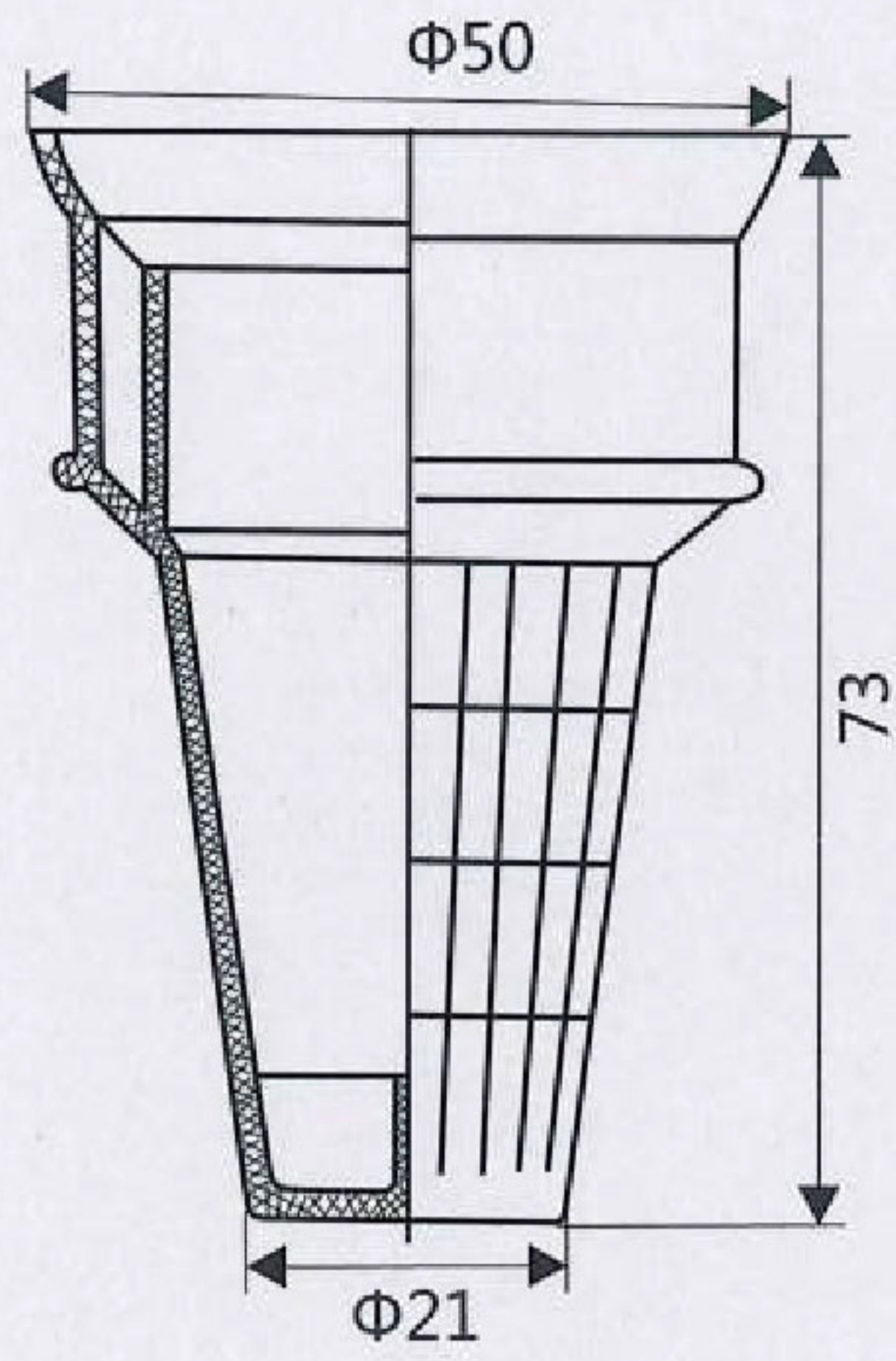
Φ 80*105 Cup-shaped egg tray



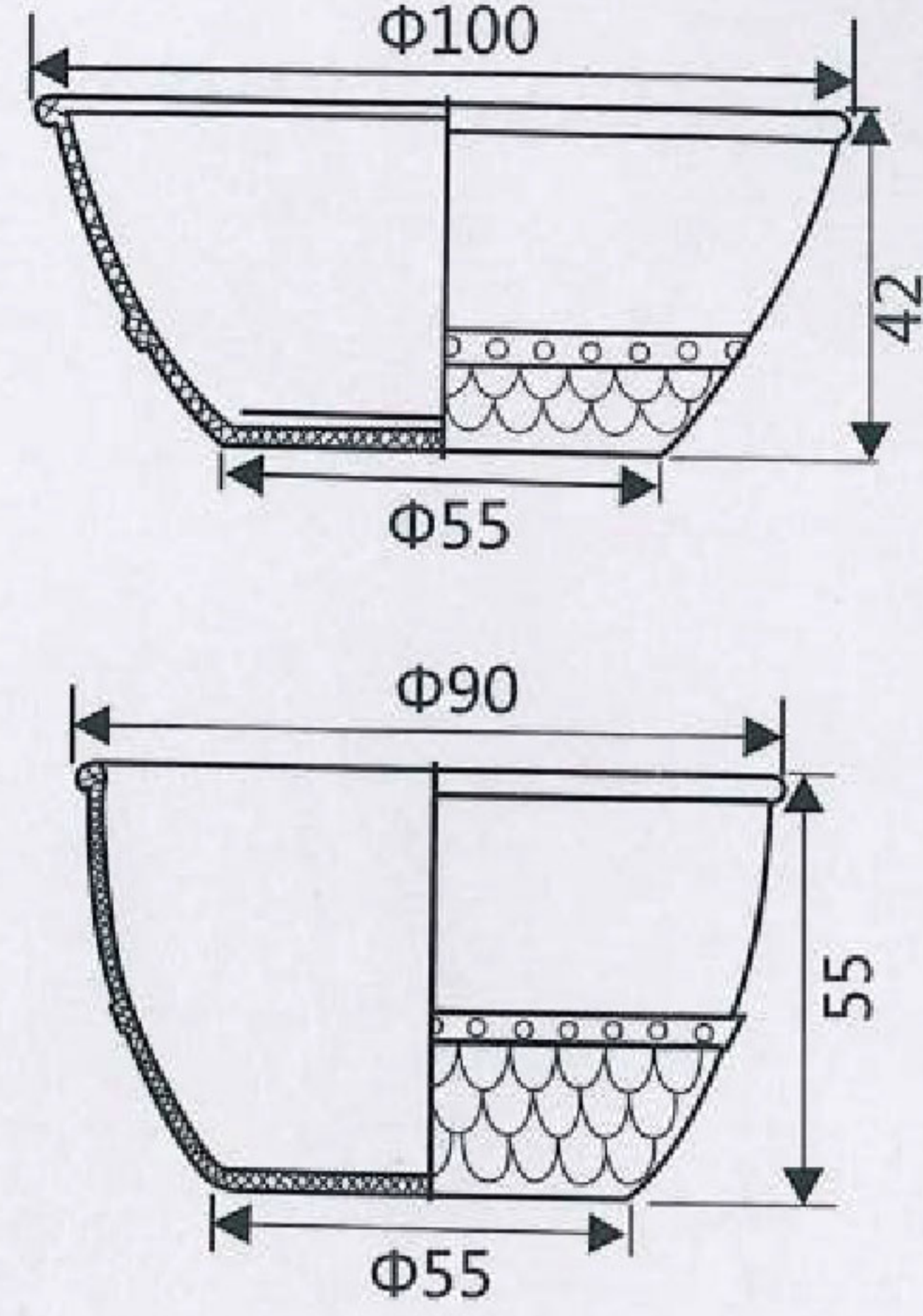


SAMPLE DRAWING OF EGG TRAY

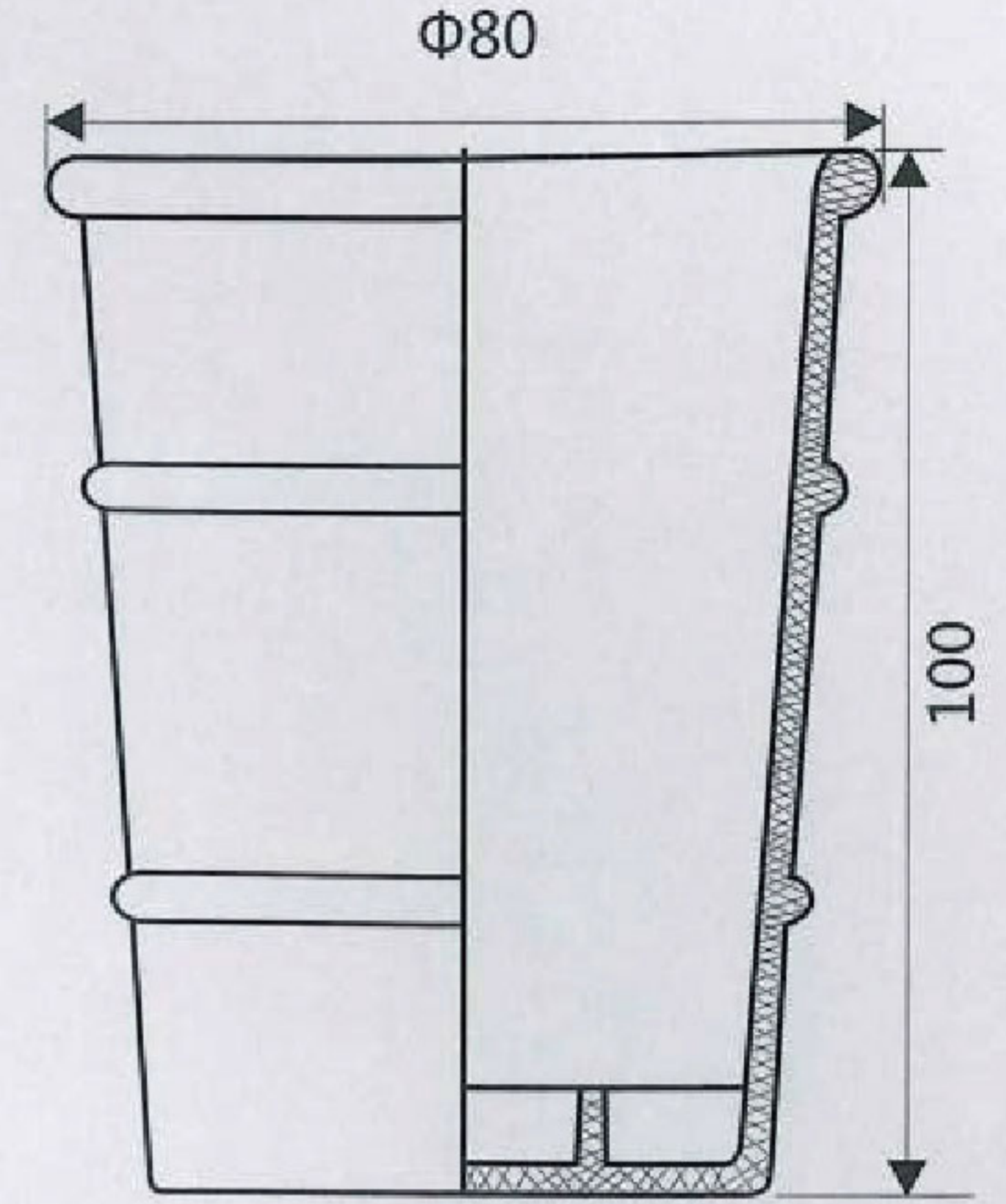
Φ 50*73 Cup-shaped egg tray



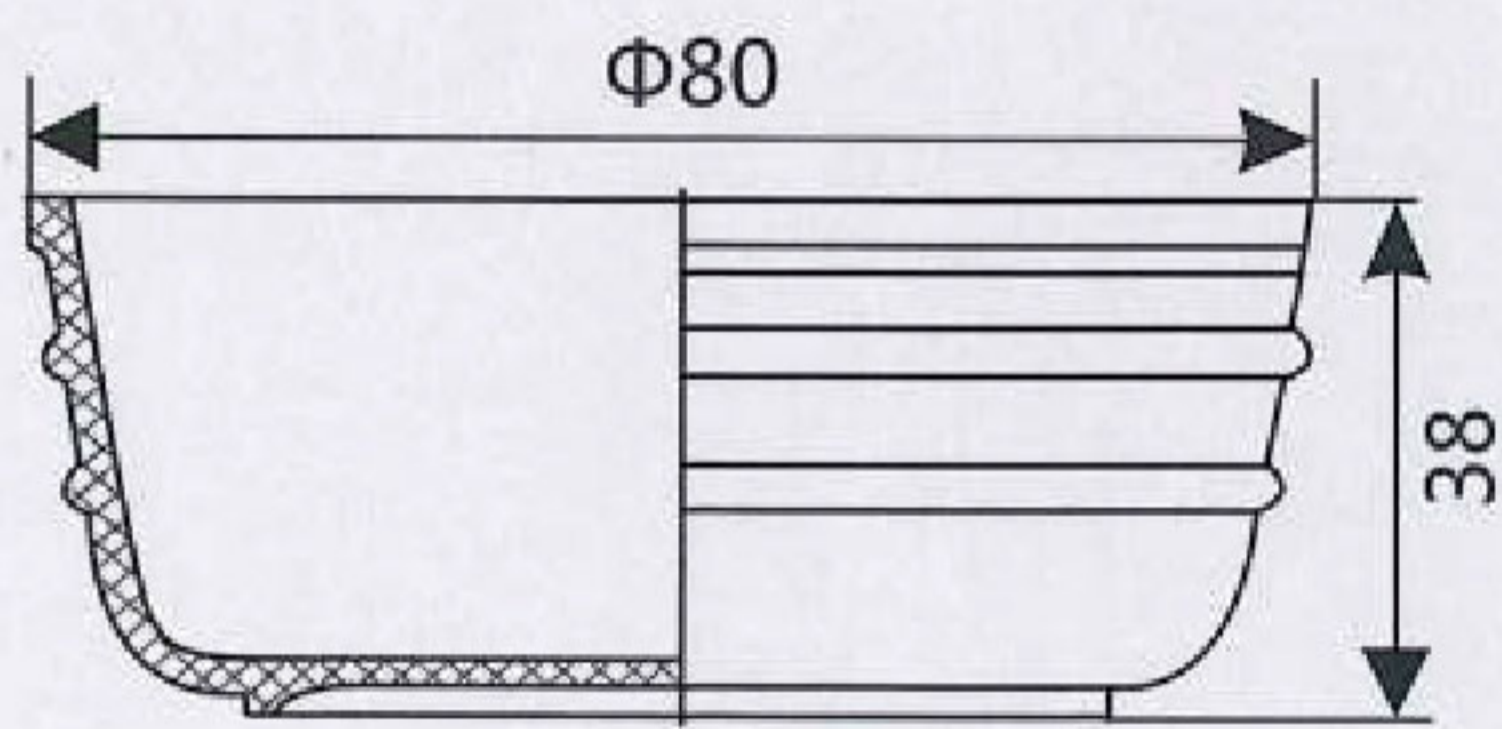
Φ 100*42 Bowl shaped egg tray



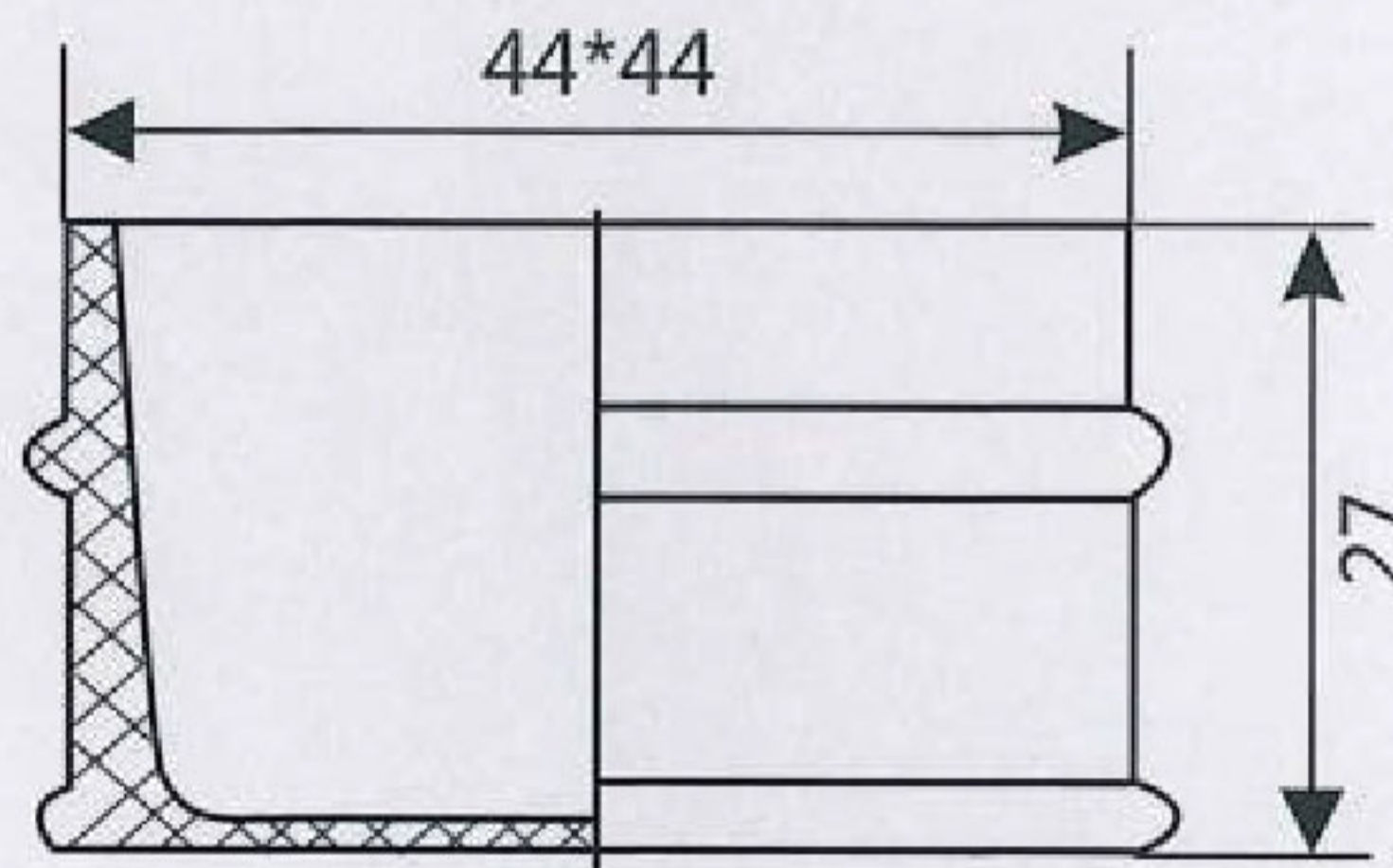
Flat egg tray



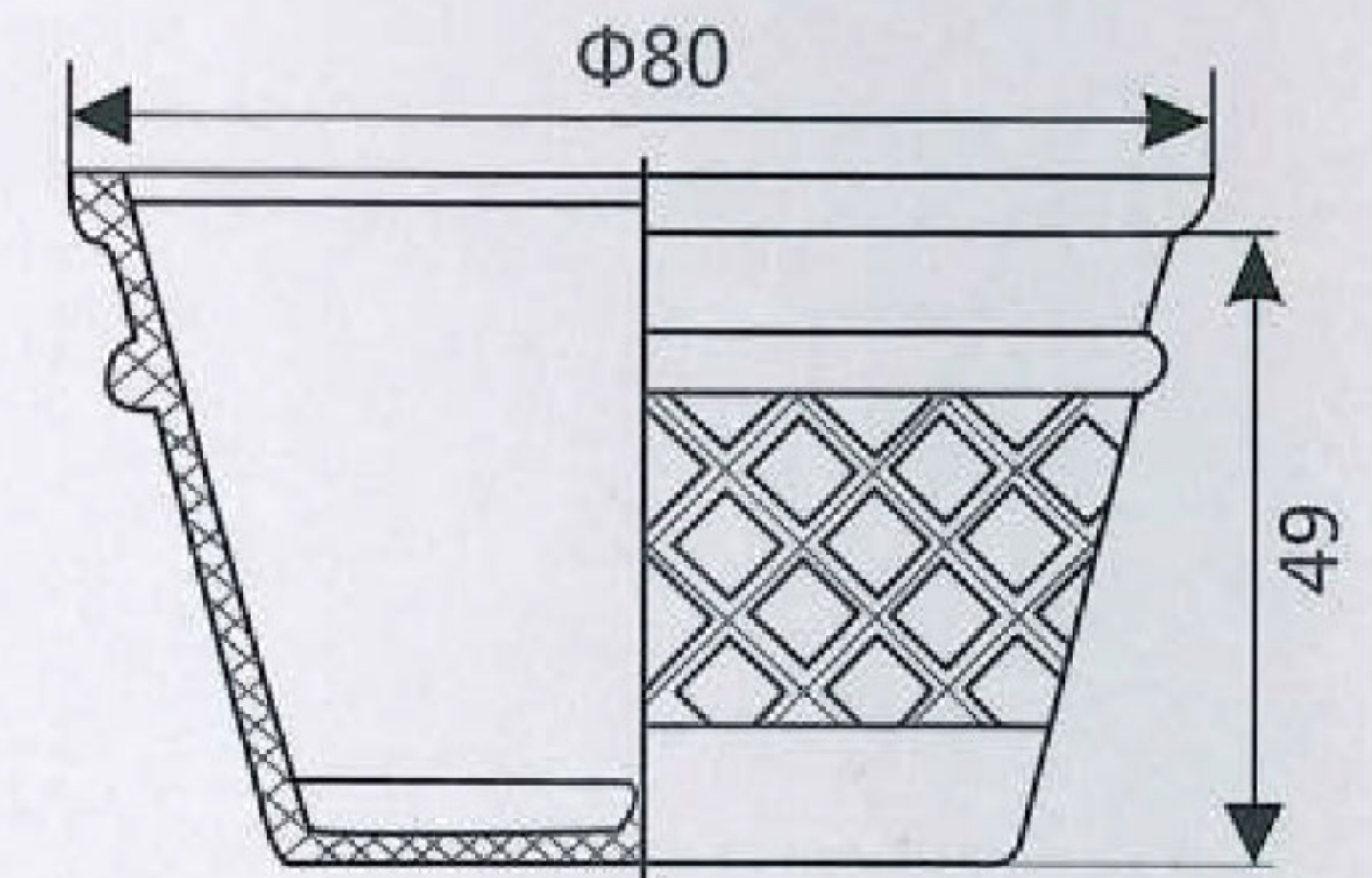
Bowl shaped egg tray



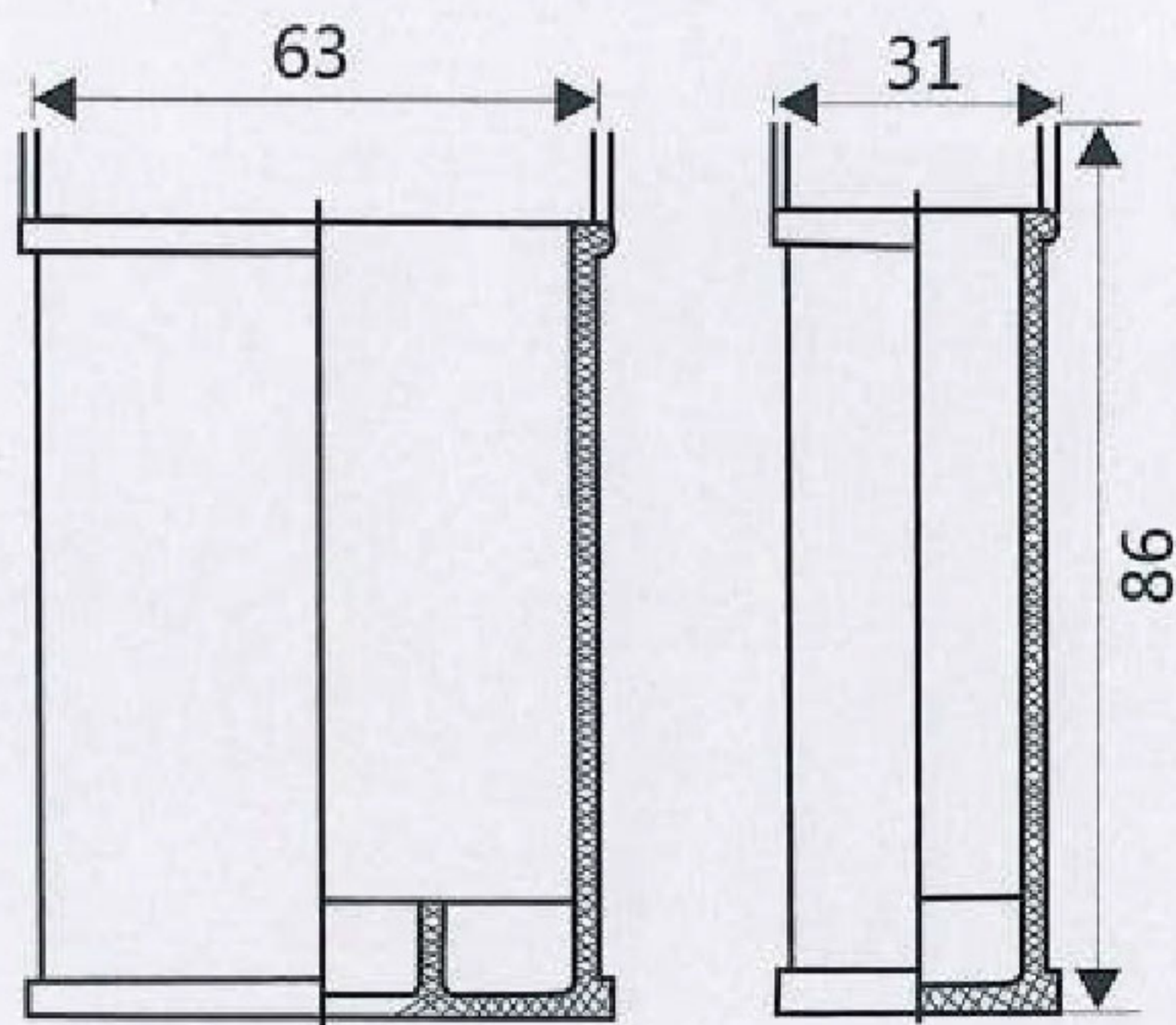
Square egg tray



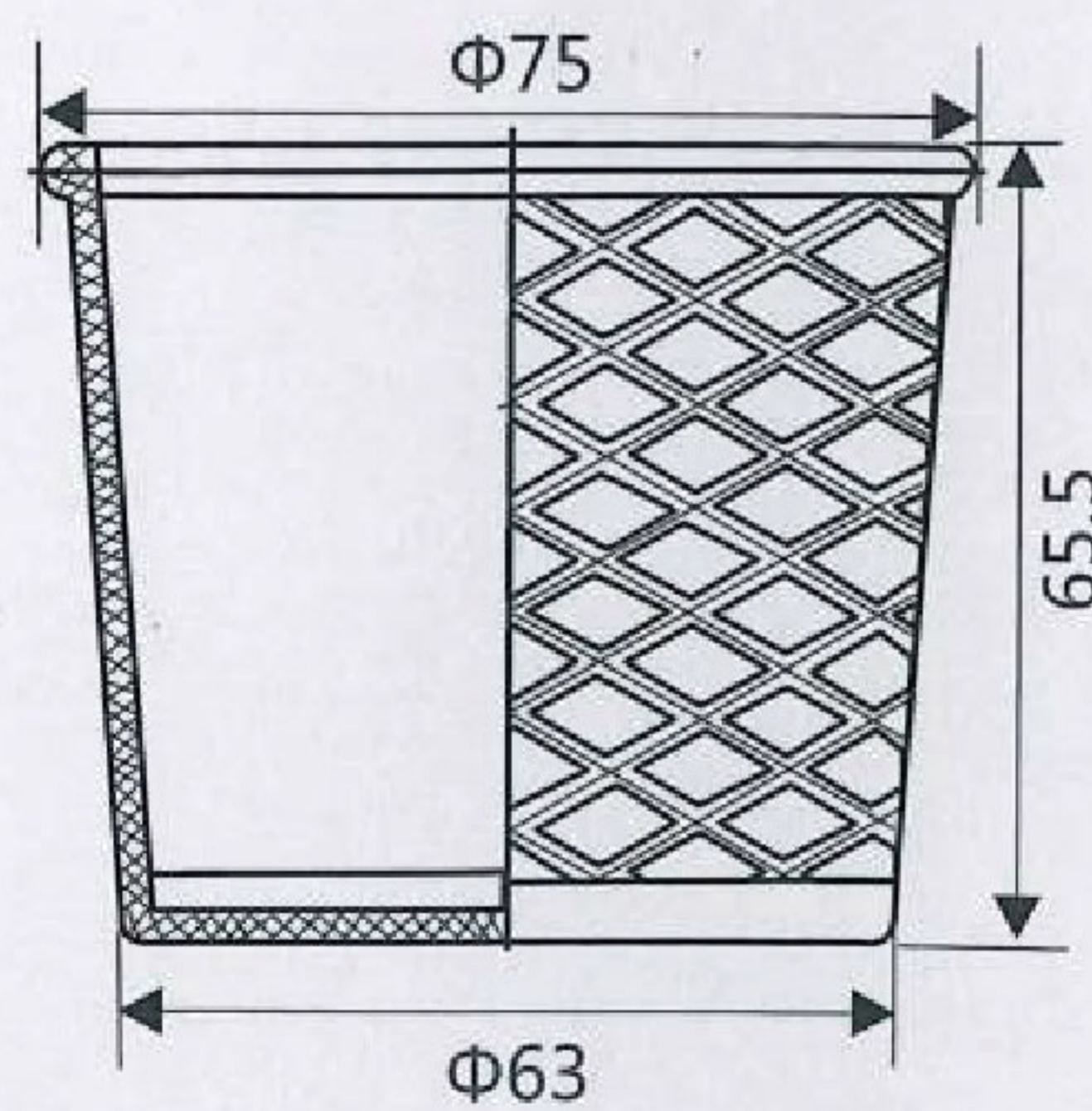
Bowl shaped egg tray



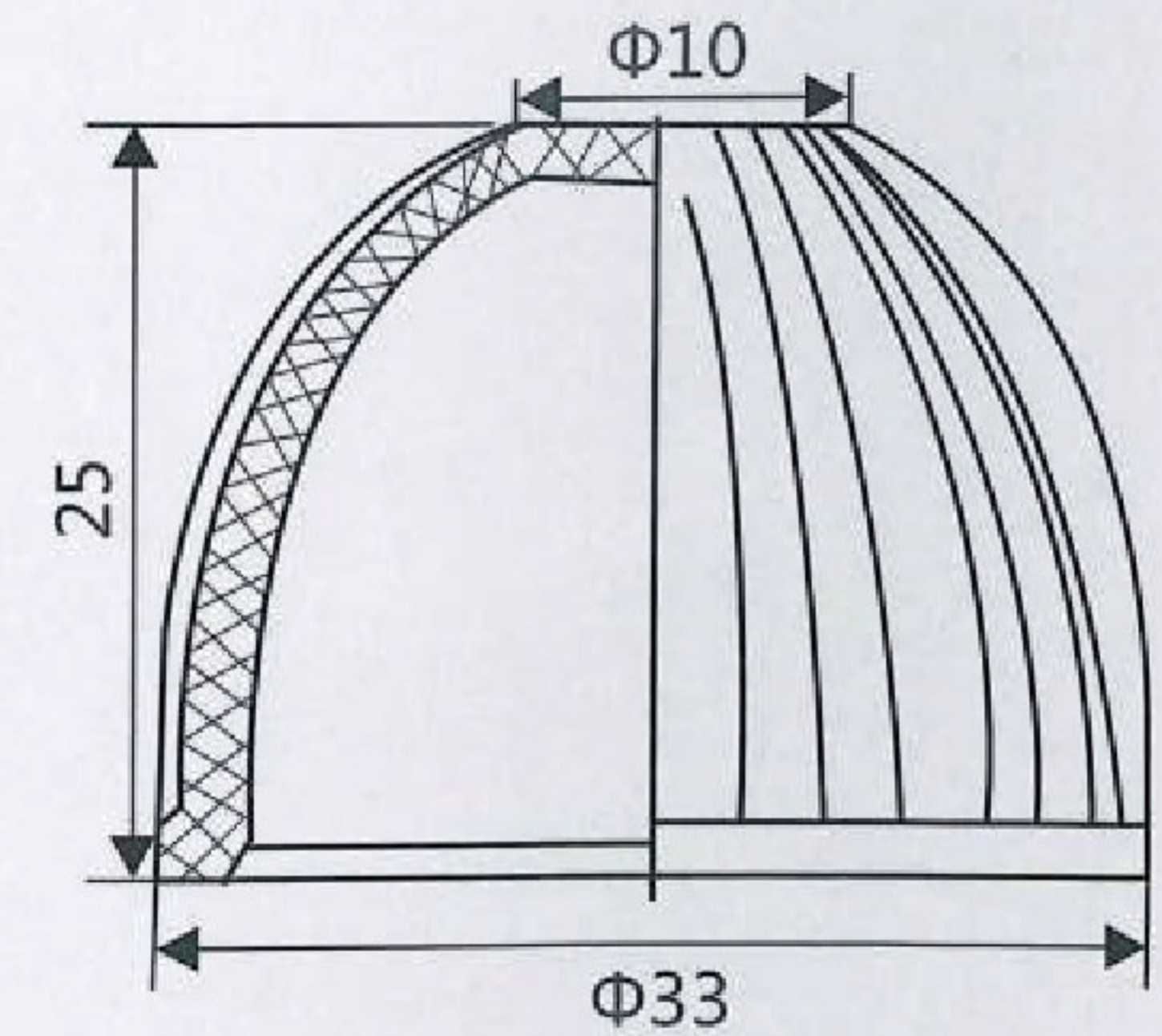
Square box egg tray



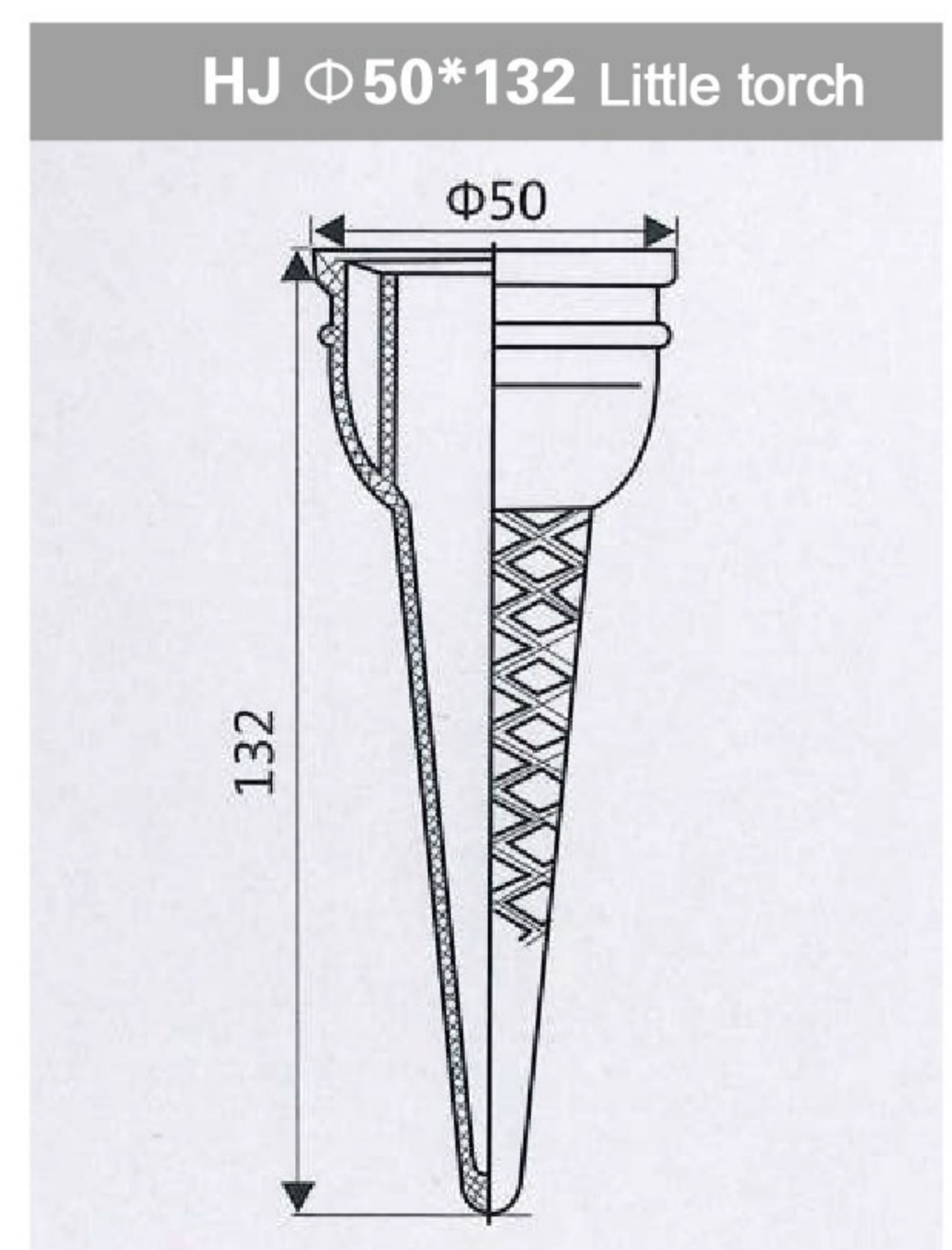
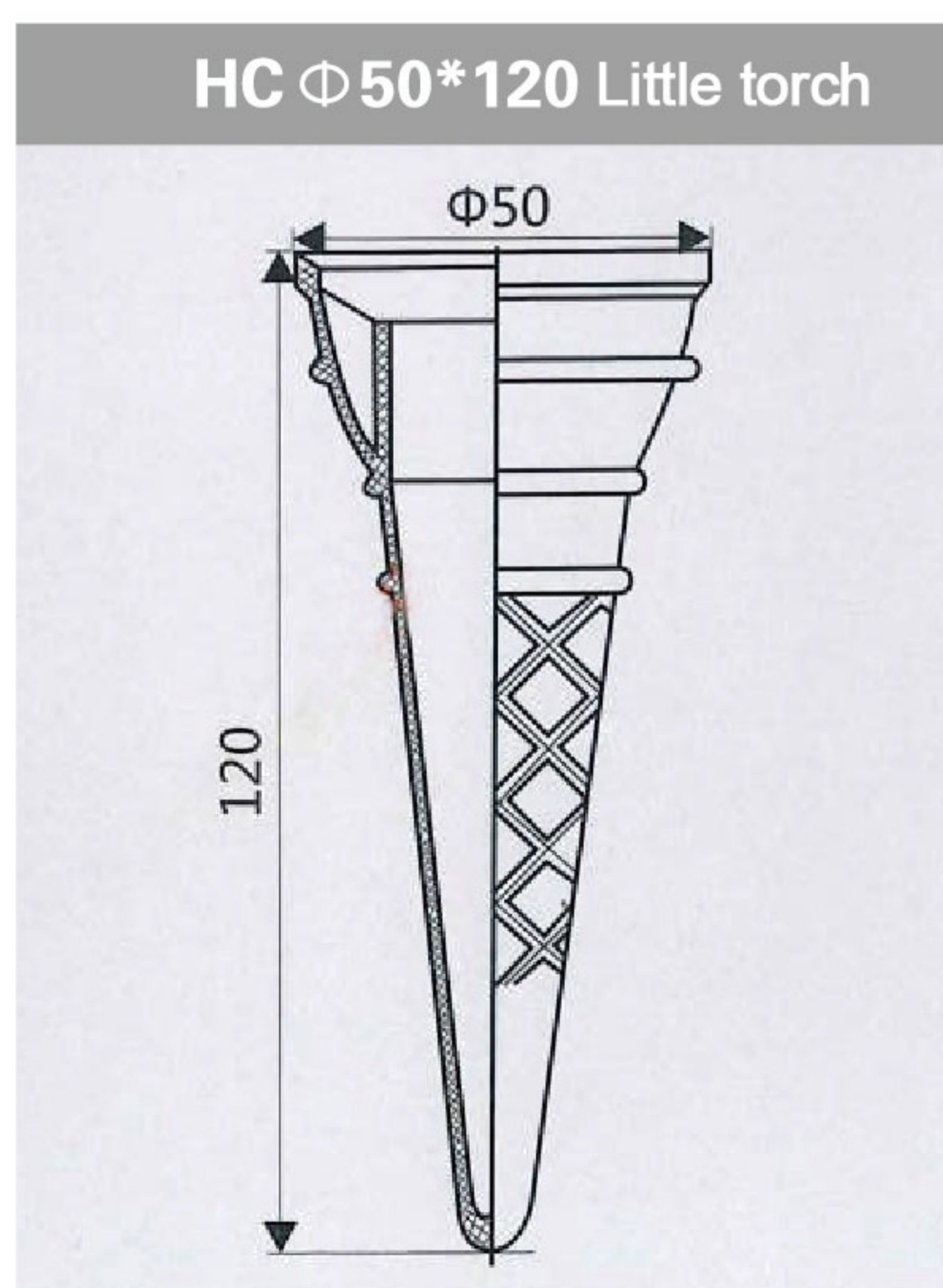
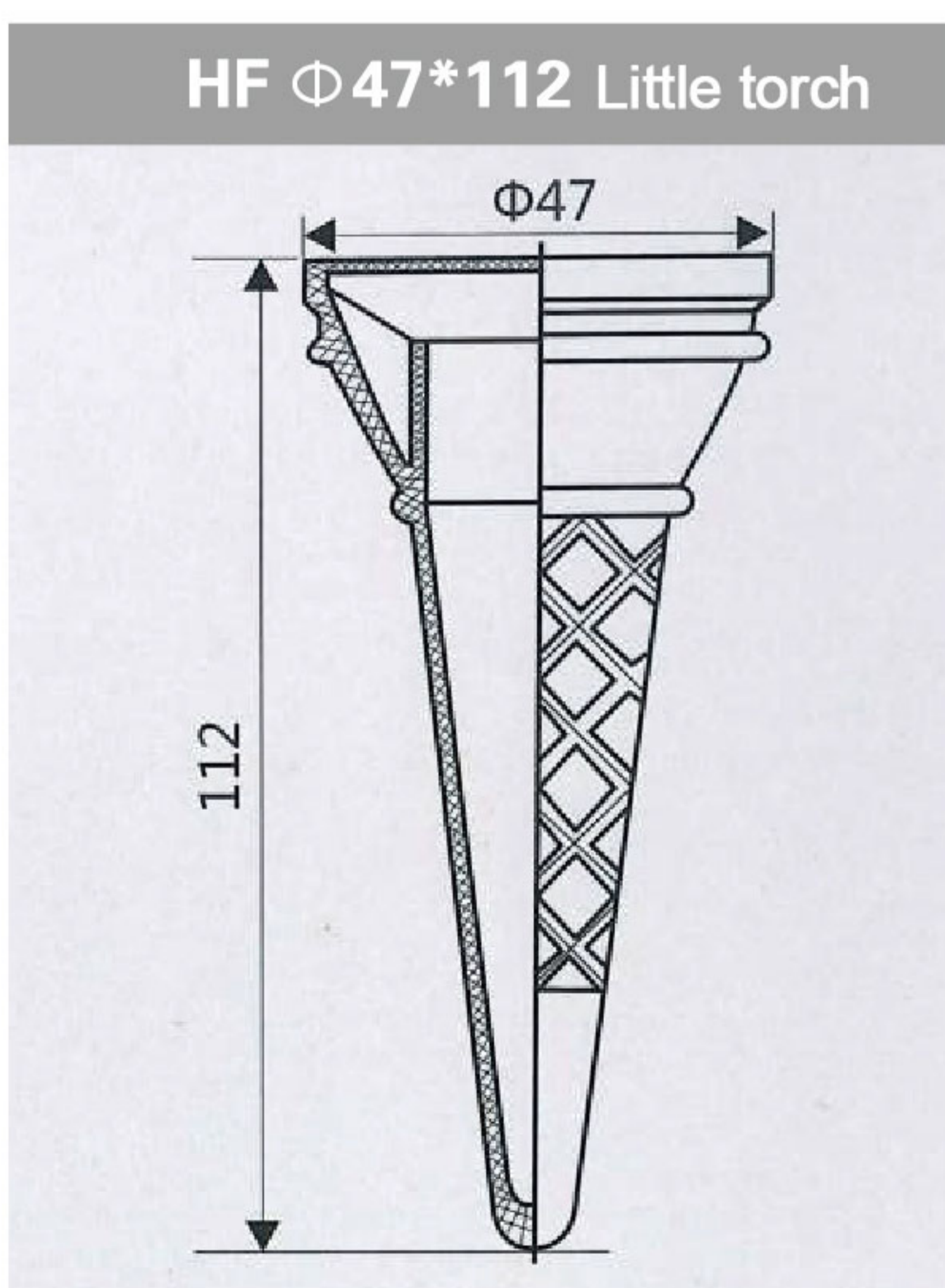
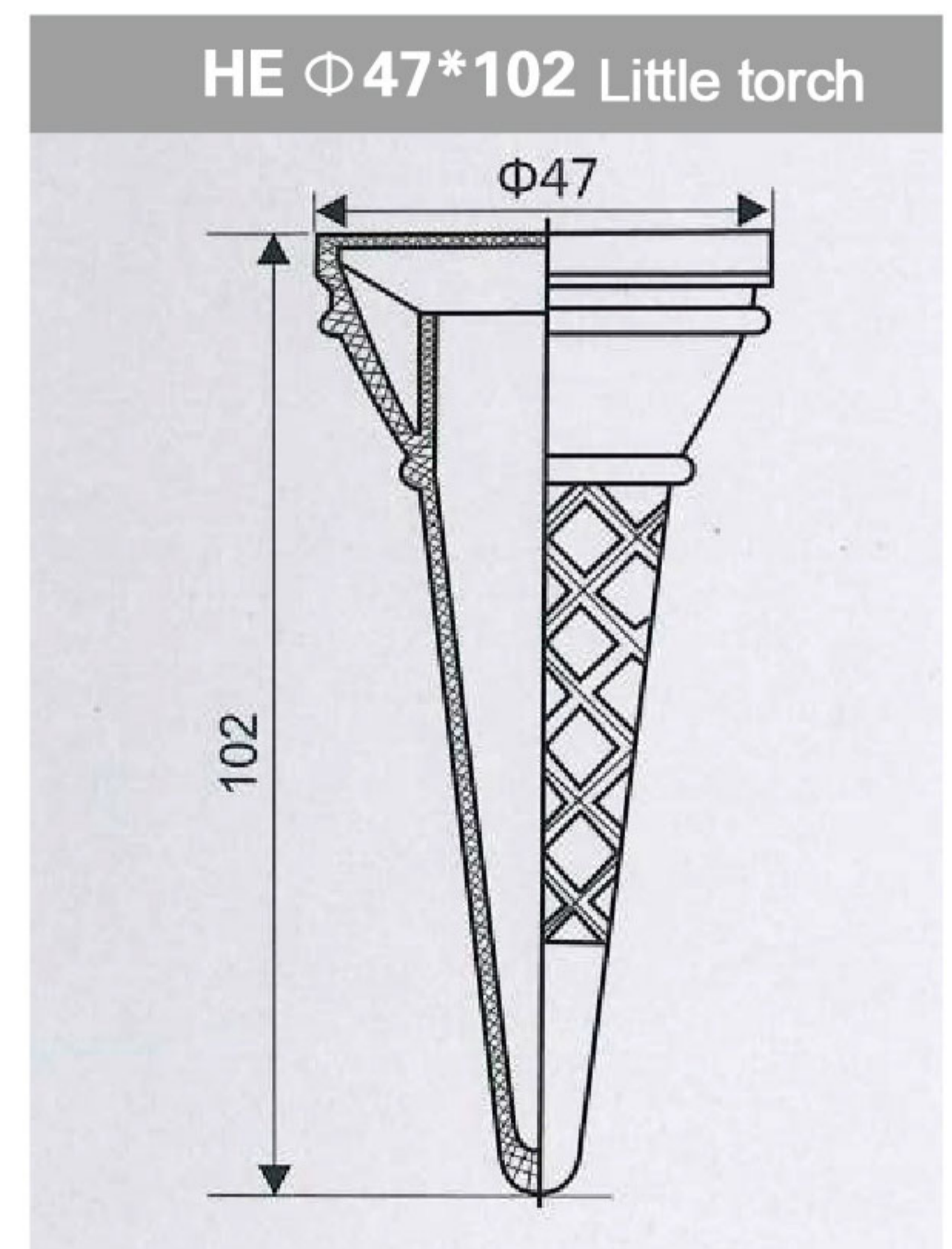
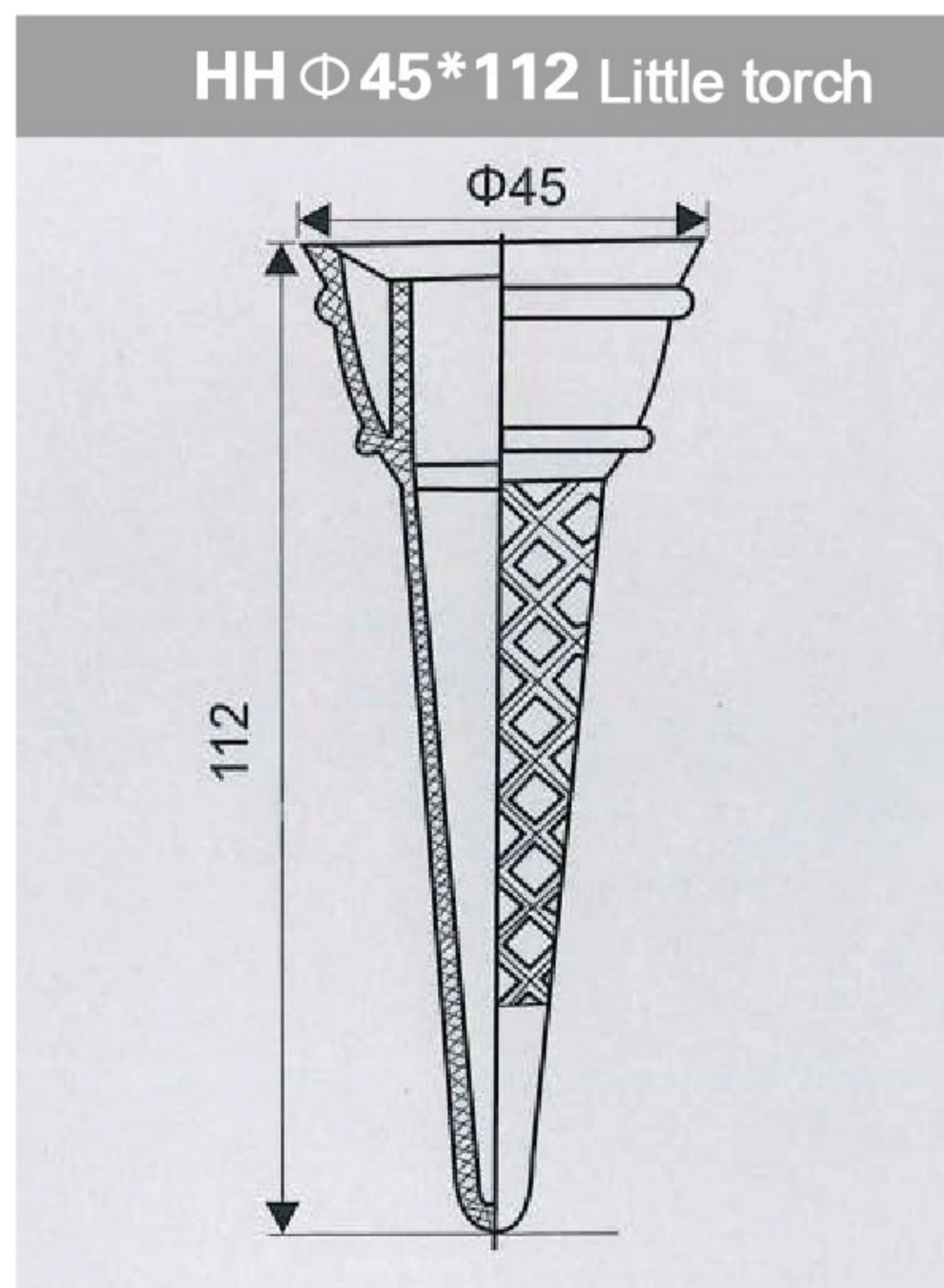
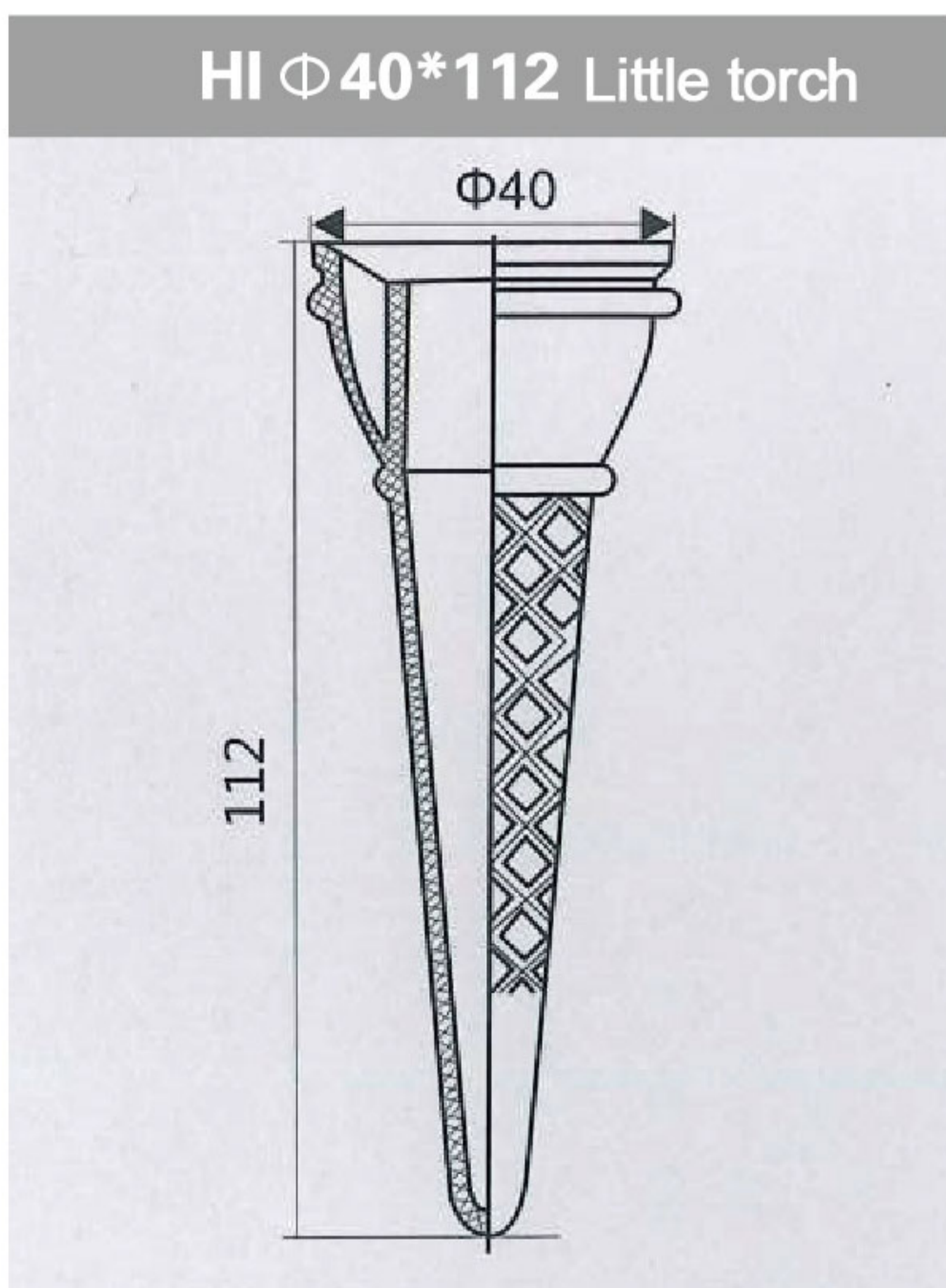
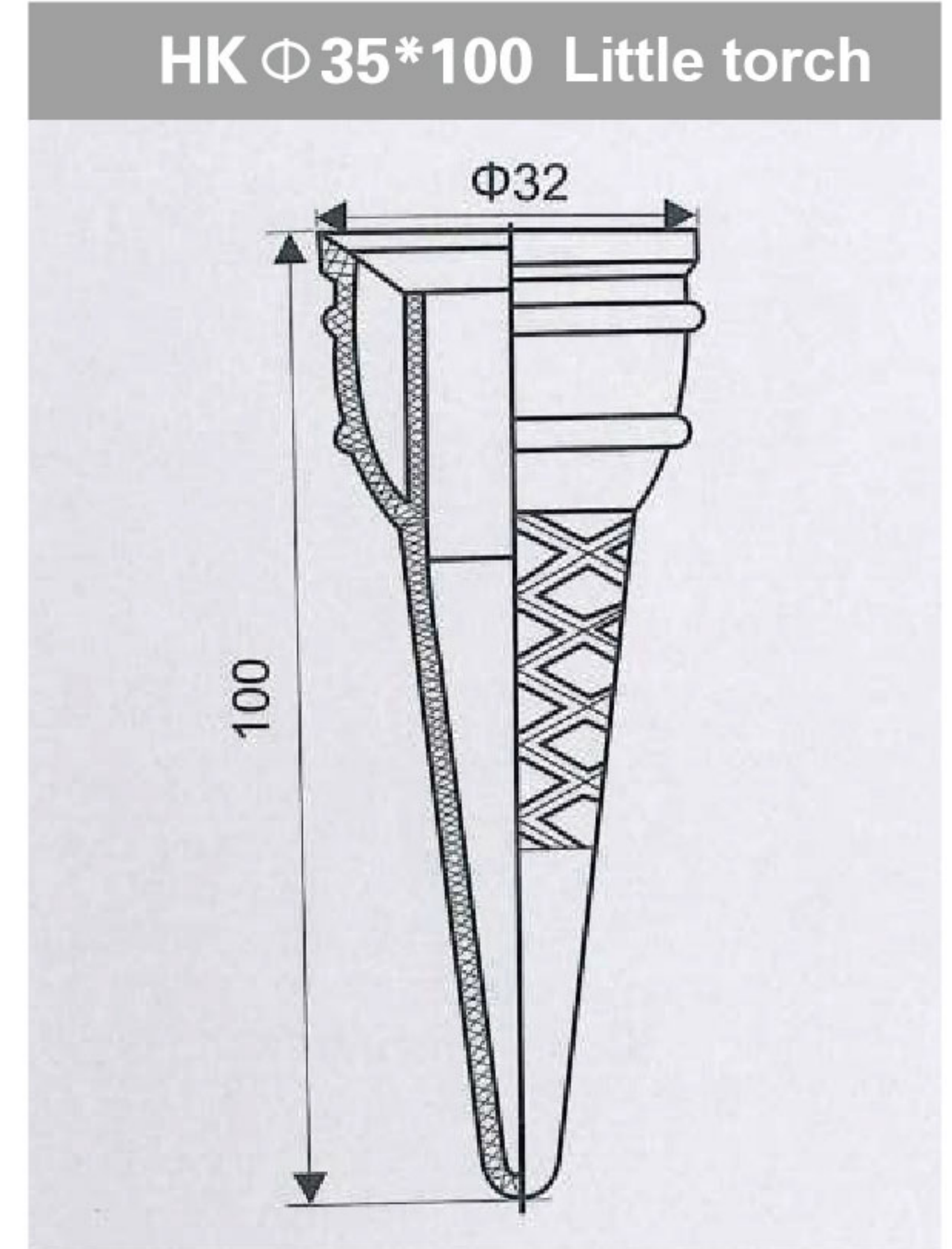
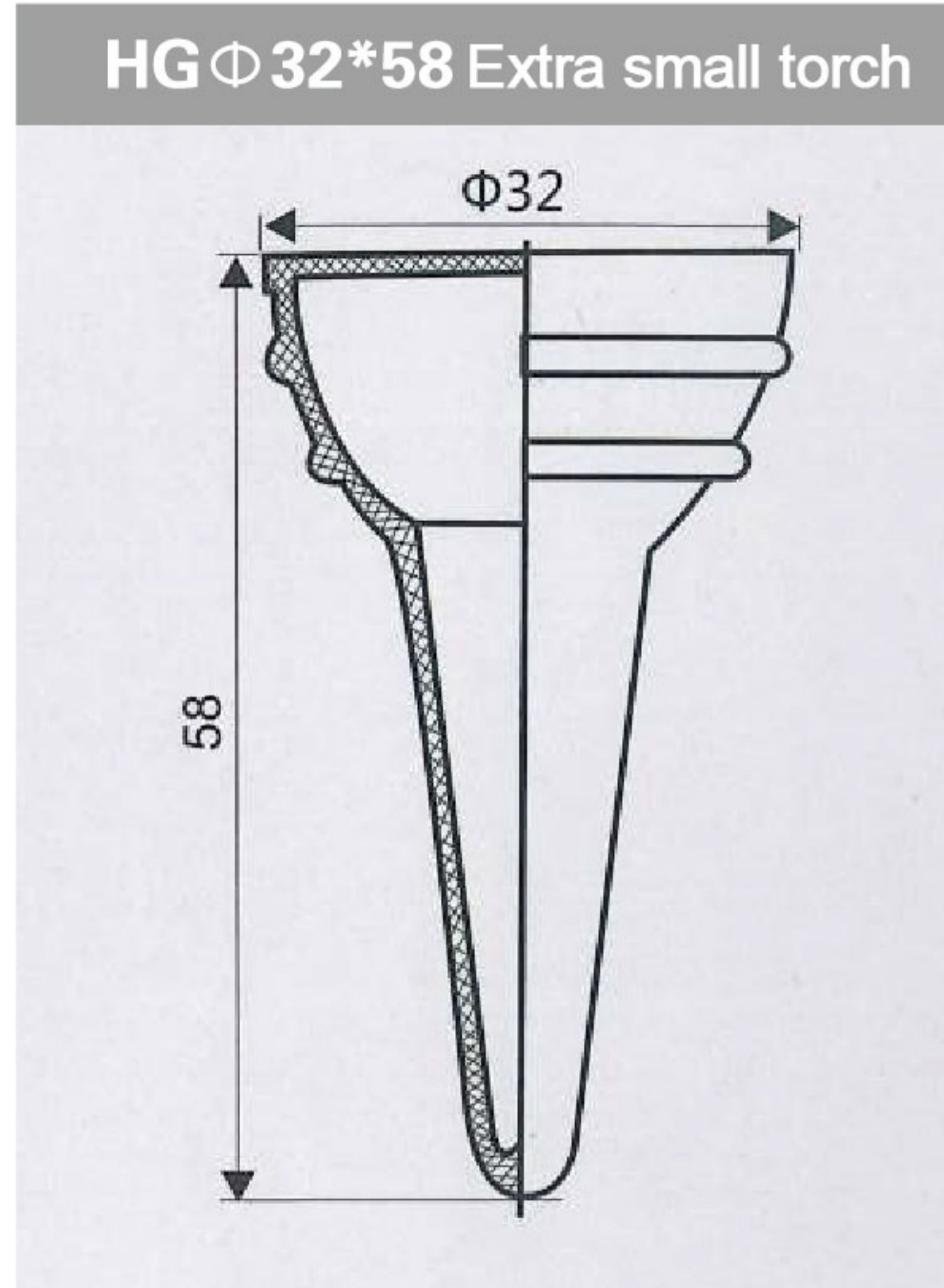
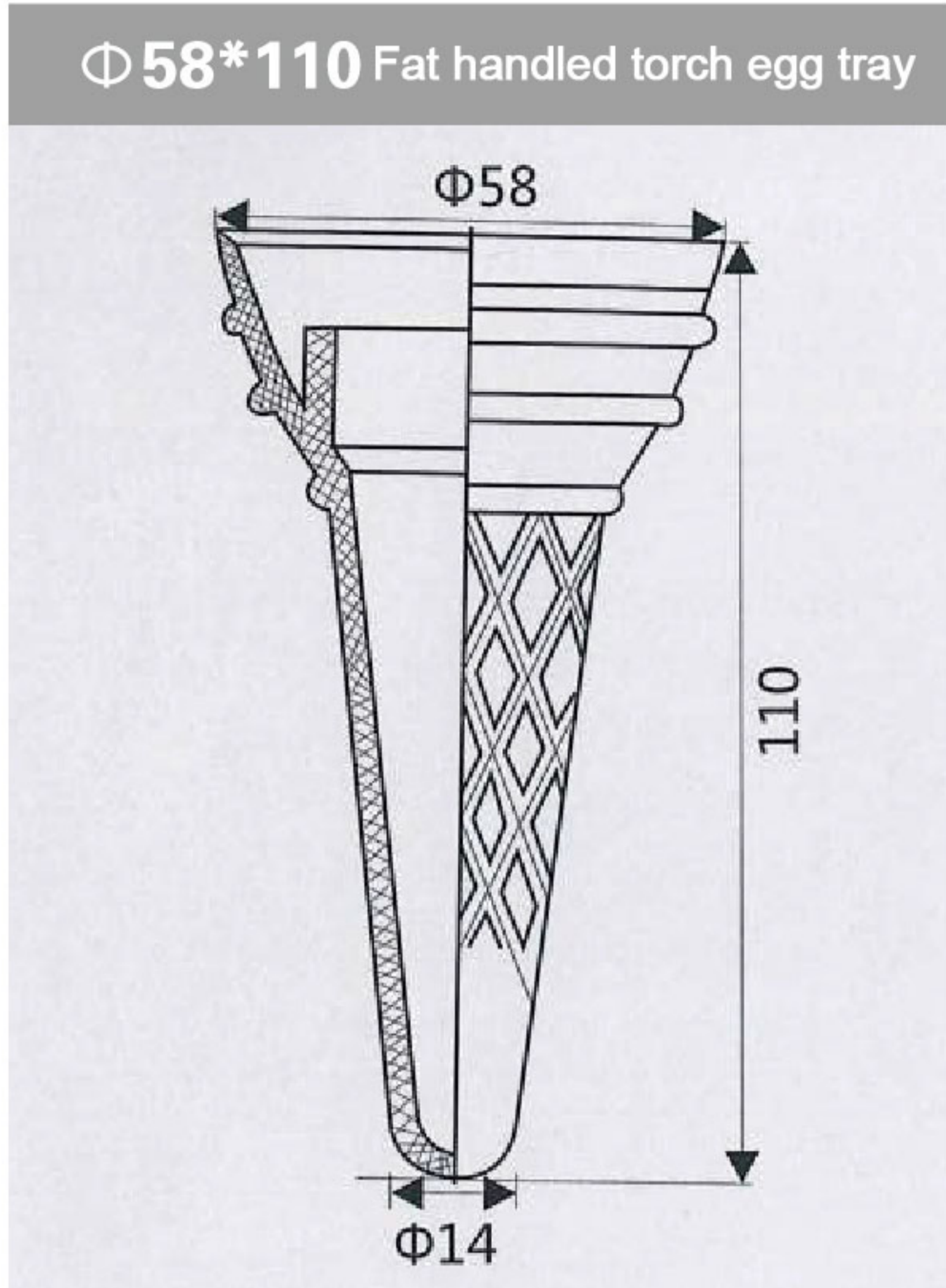
Φ 75*65.5 Cup-shaped egg tray



Φ 33*25 Cap shaped egg tray



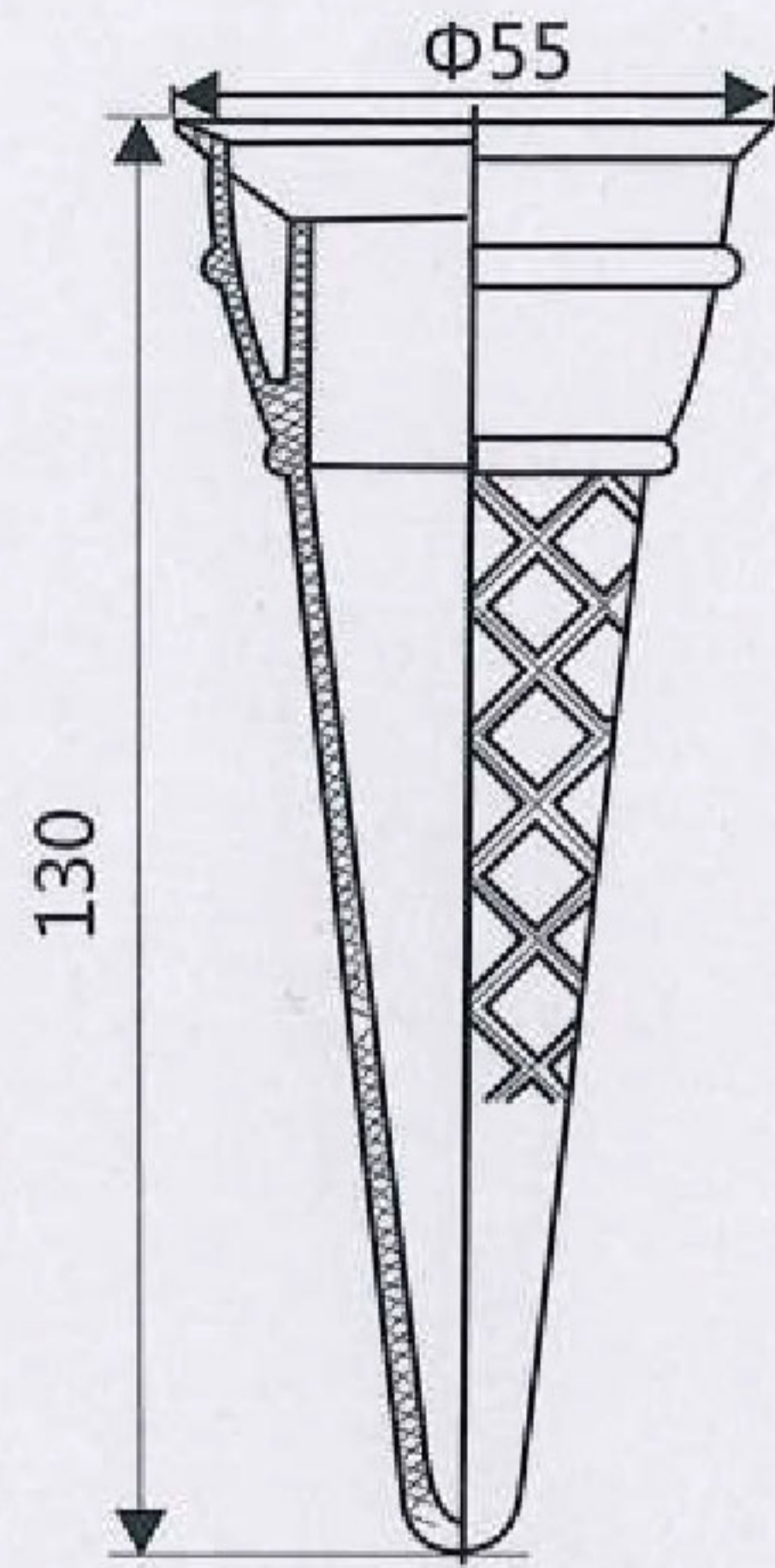
SAMPLE DRAWING OF EGG TRAY



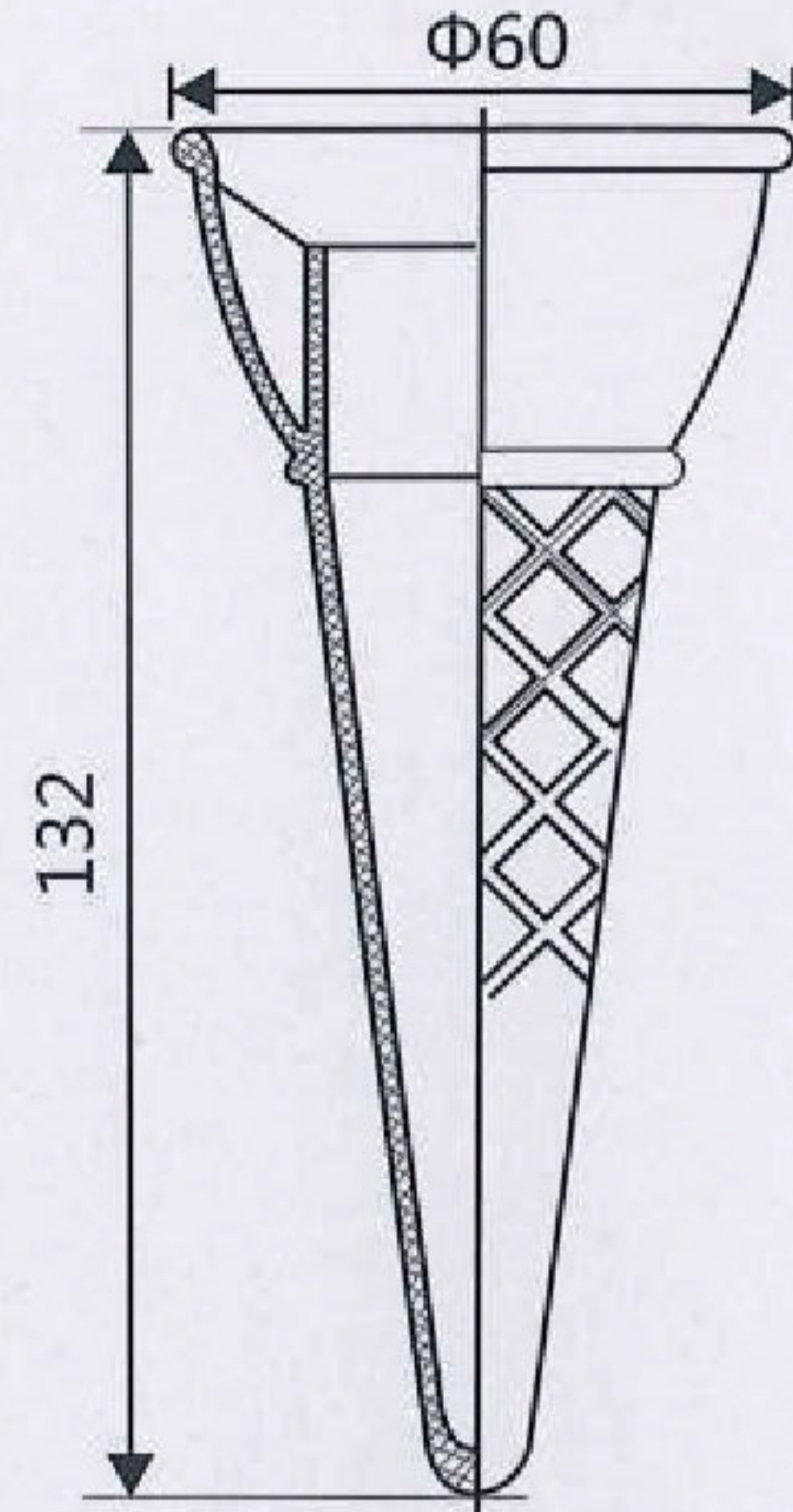


SAMPLE DRAWING OF EGG TRAY

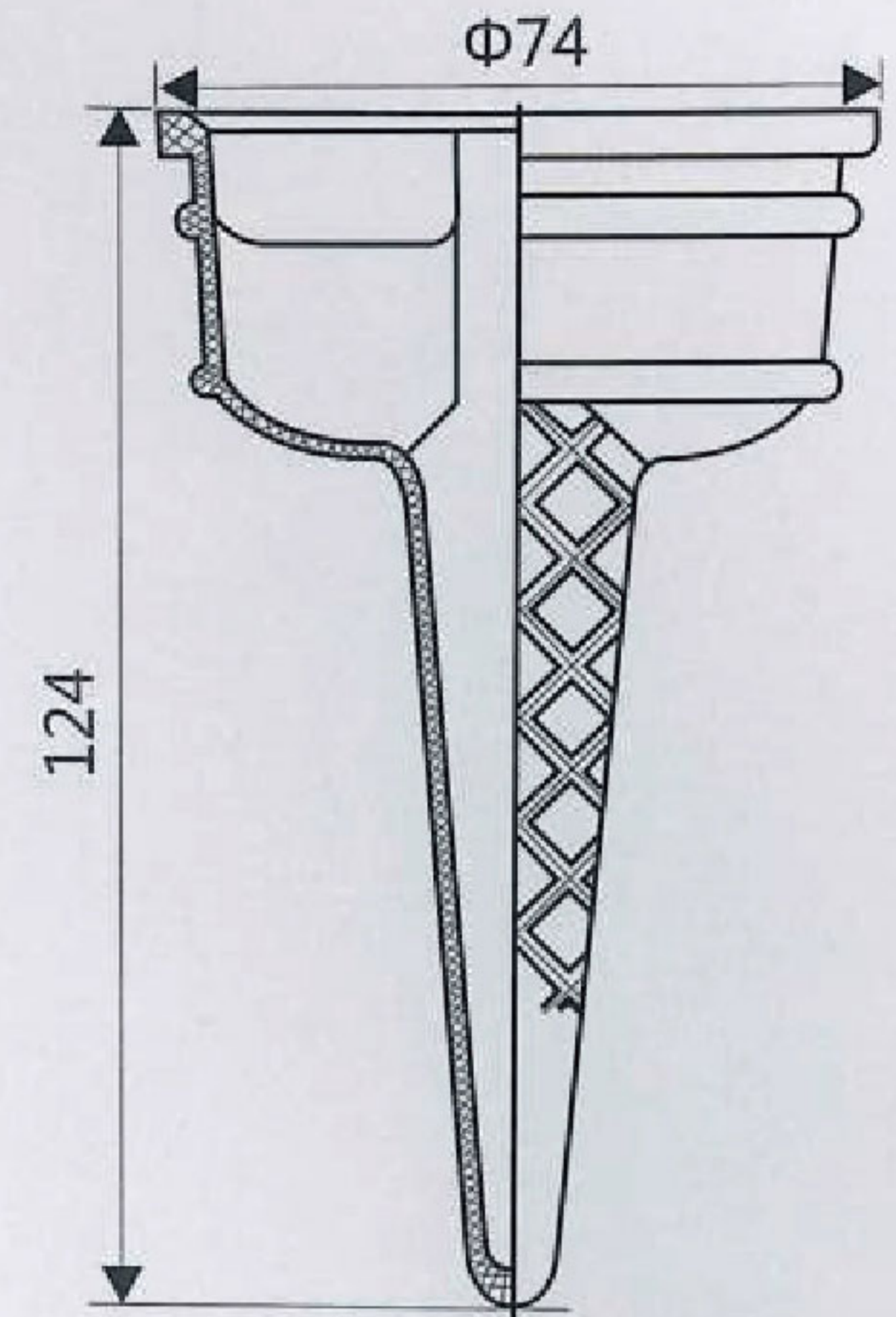
HA $\Phi 55 * 130$ Big torch



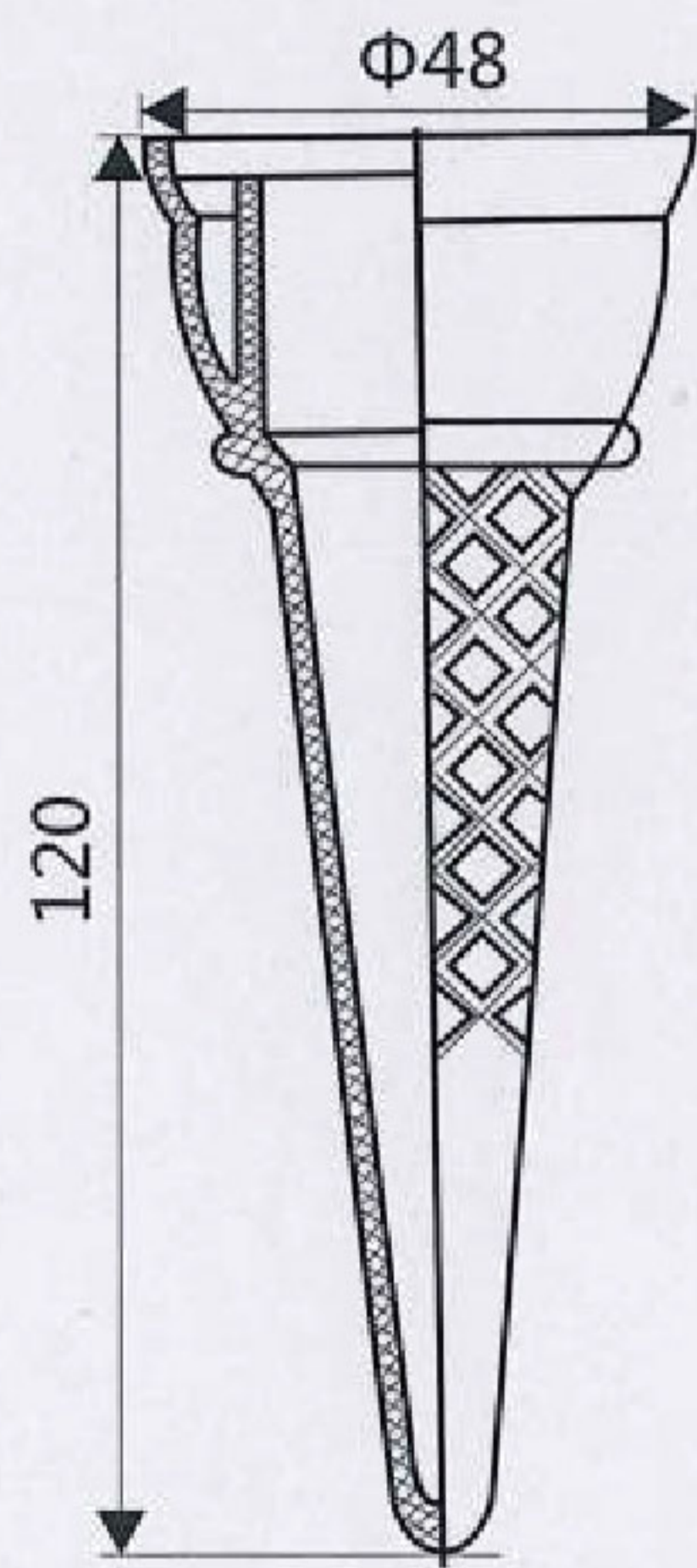
HB $\Phi 60 * 132$ Indonesian torch



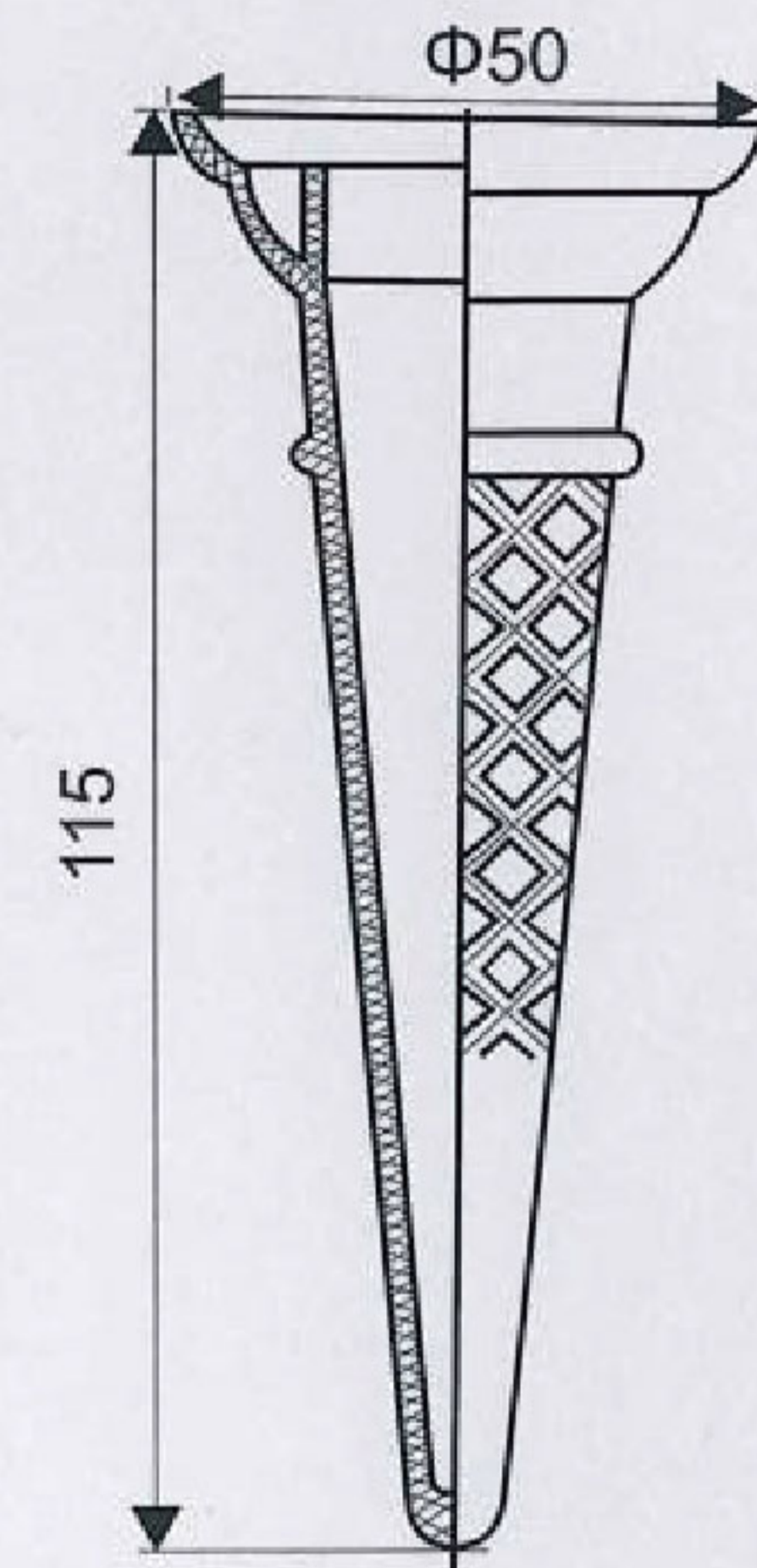
HD $\Phi 74 * 124$ Double headed torch



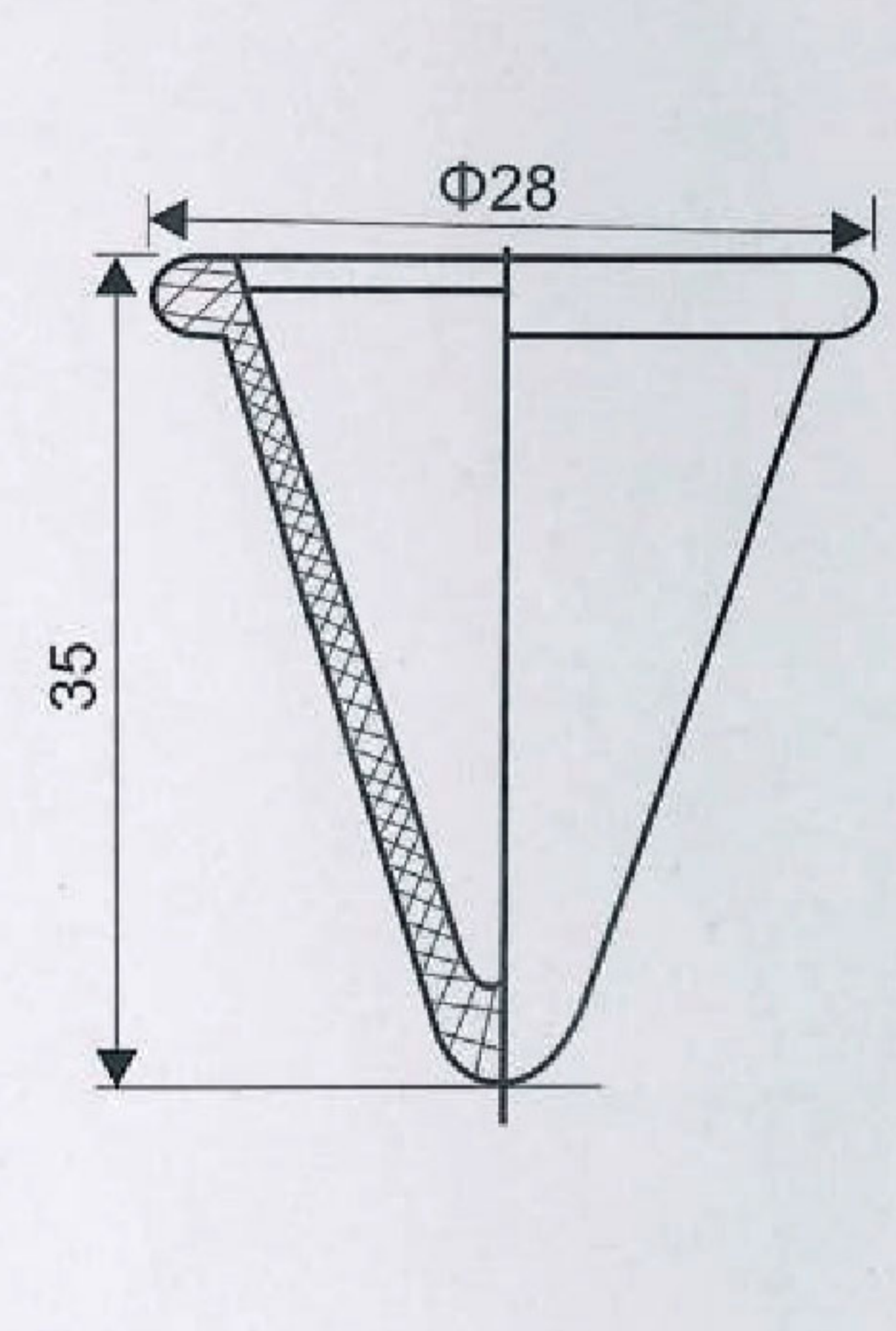
HL $\Phi 48 * 120$ Tray



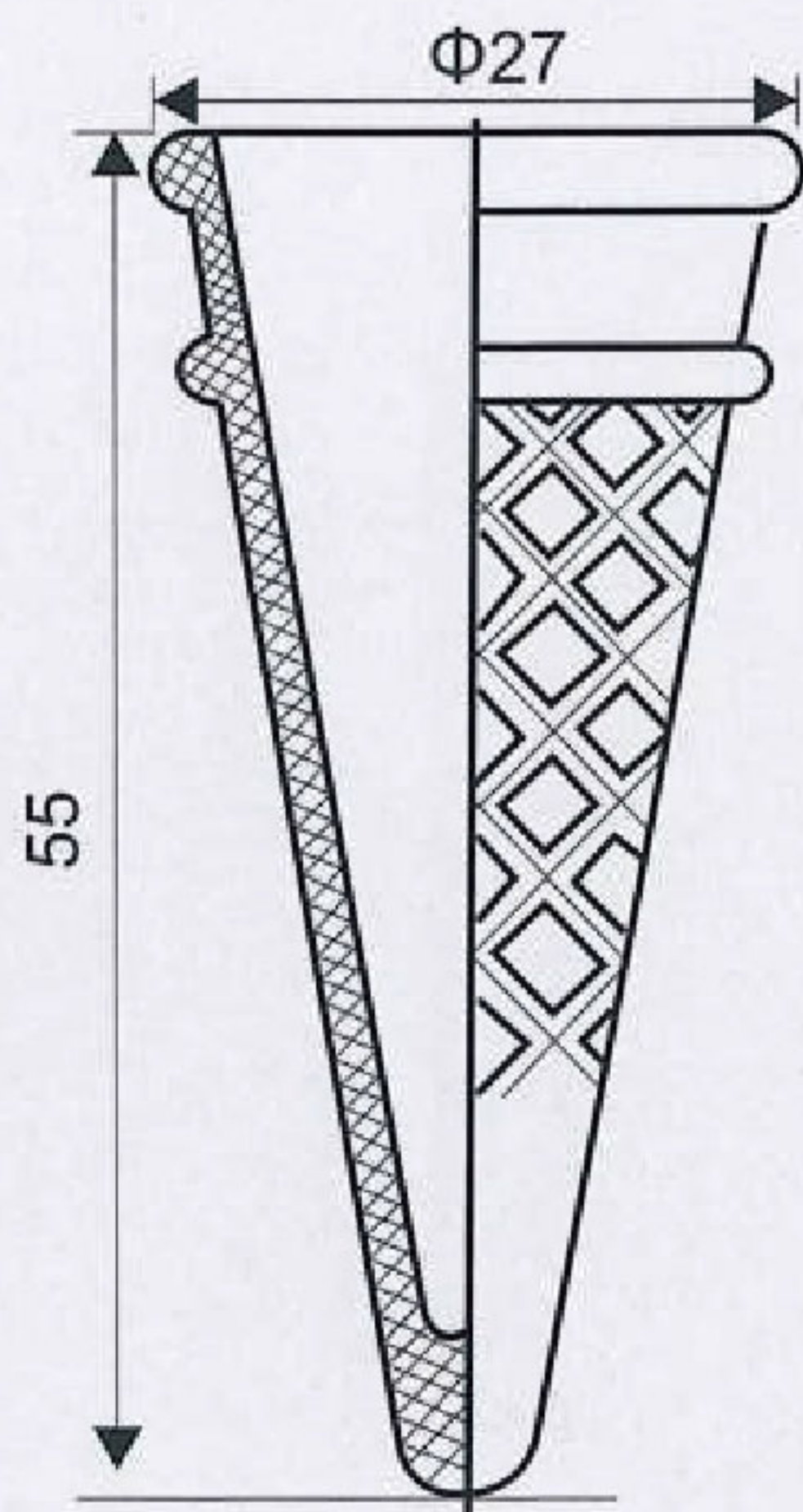
HN $\Phi 50 * 115$ Tray



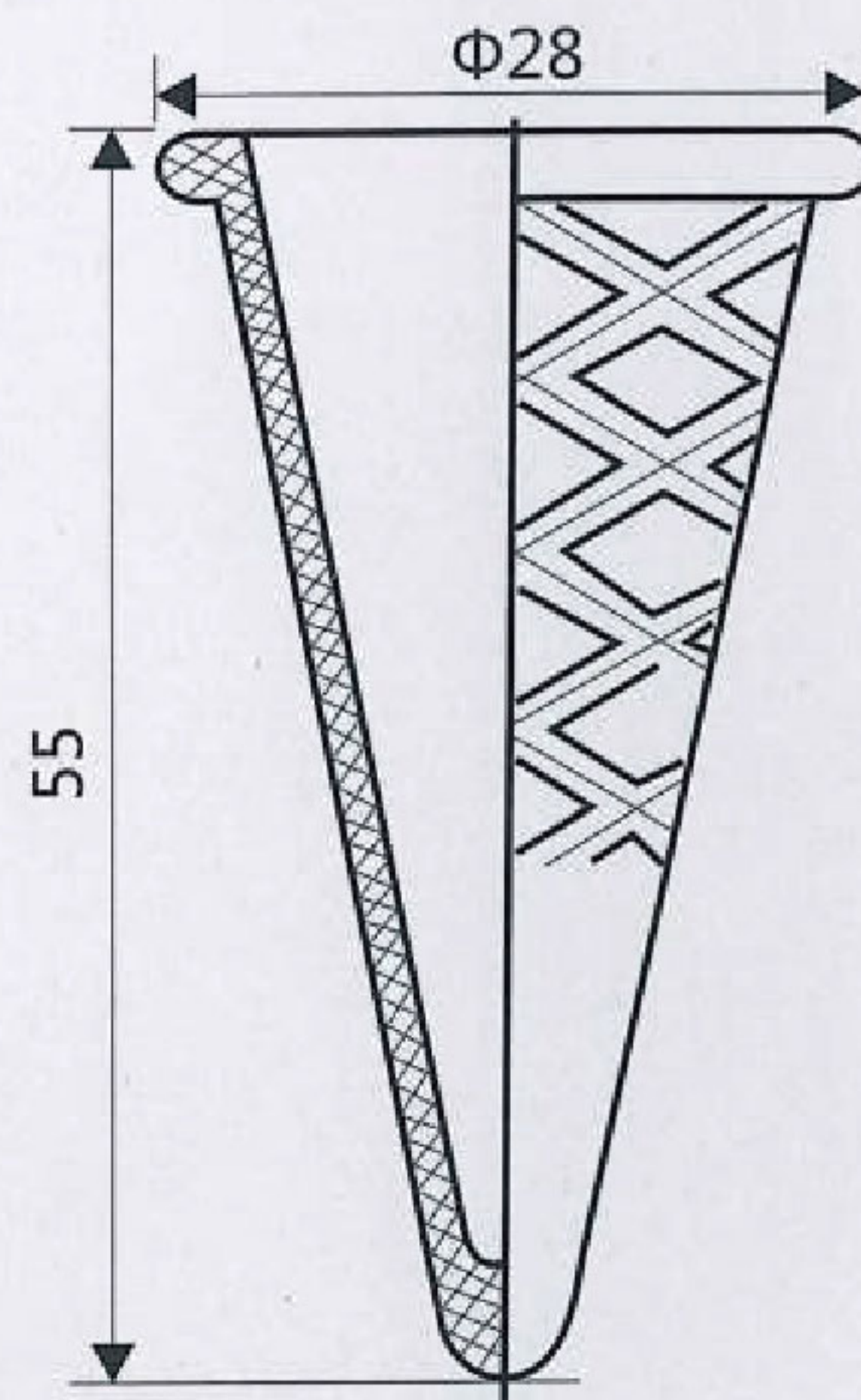
LF $\Phi 28 * 35$ Extra small cow horn



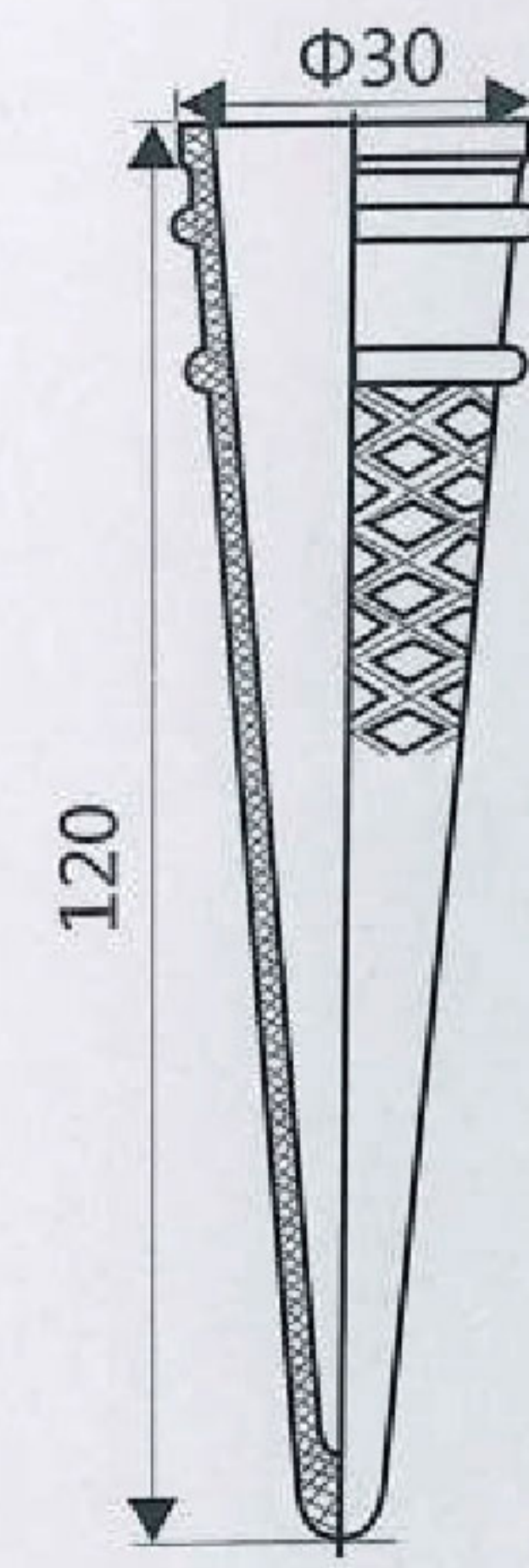
LO $\Phi 27 * 55$ Extra small cow horn



LC $\Phi 28 * 55$ Small cow horn



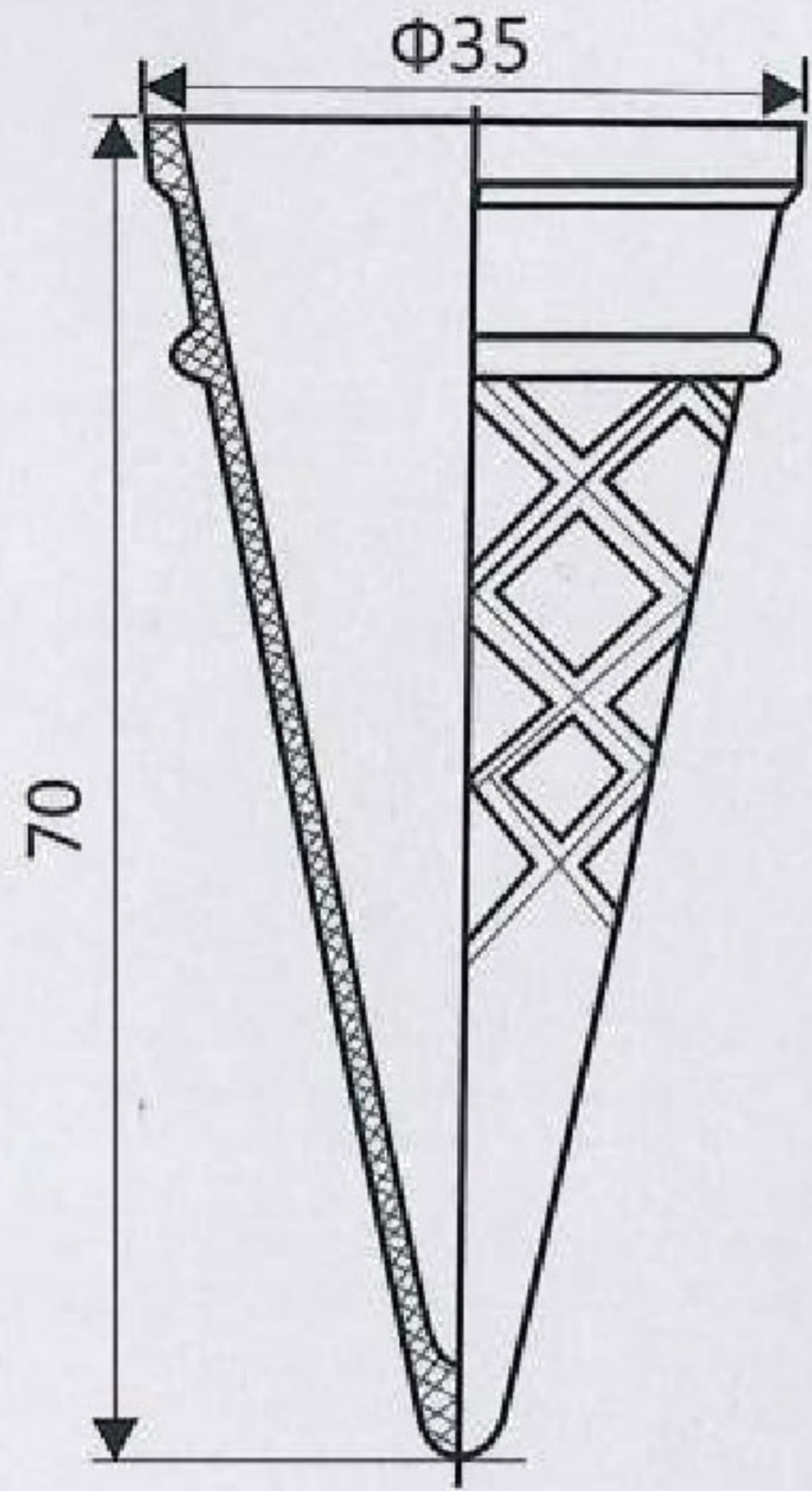
LM $\Phi 30 * 120$ Cow horn



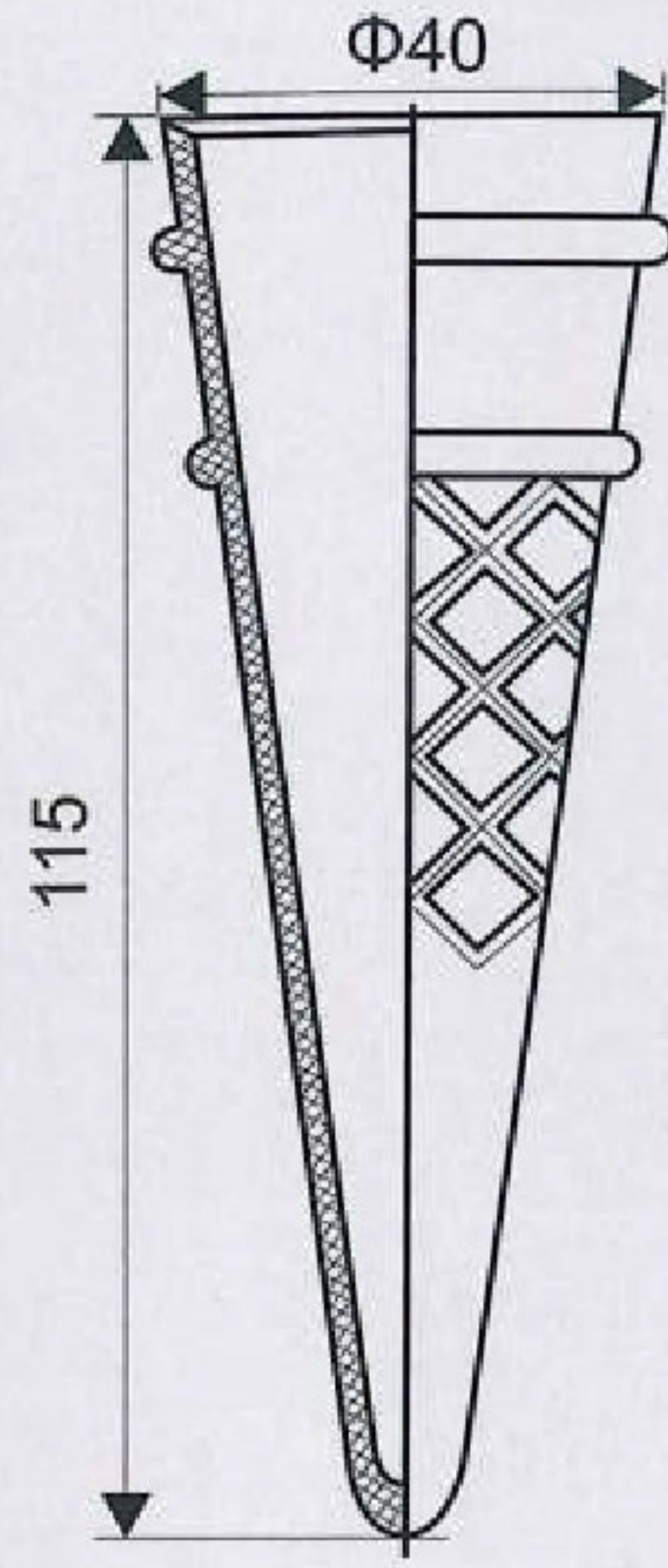
SAMPLE DRAWING OF EGG TRAY



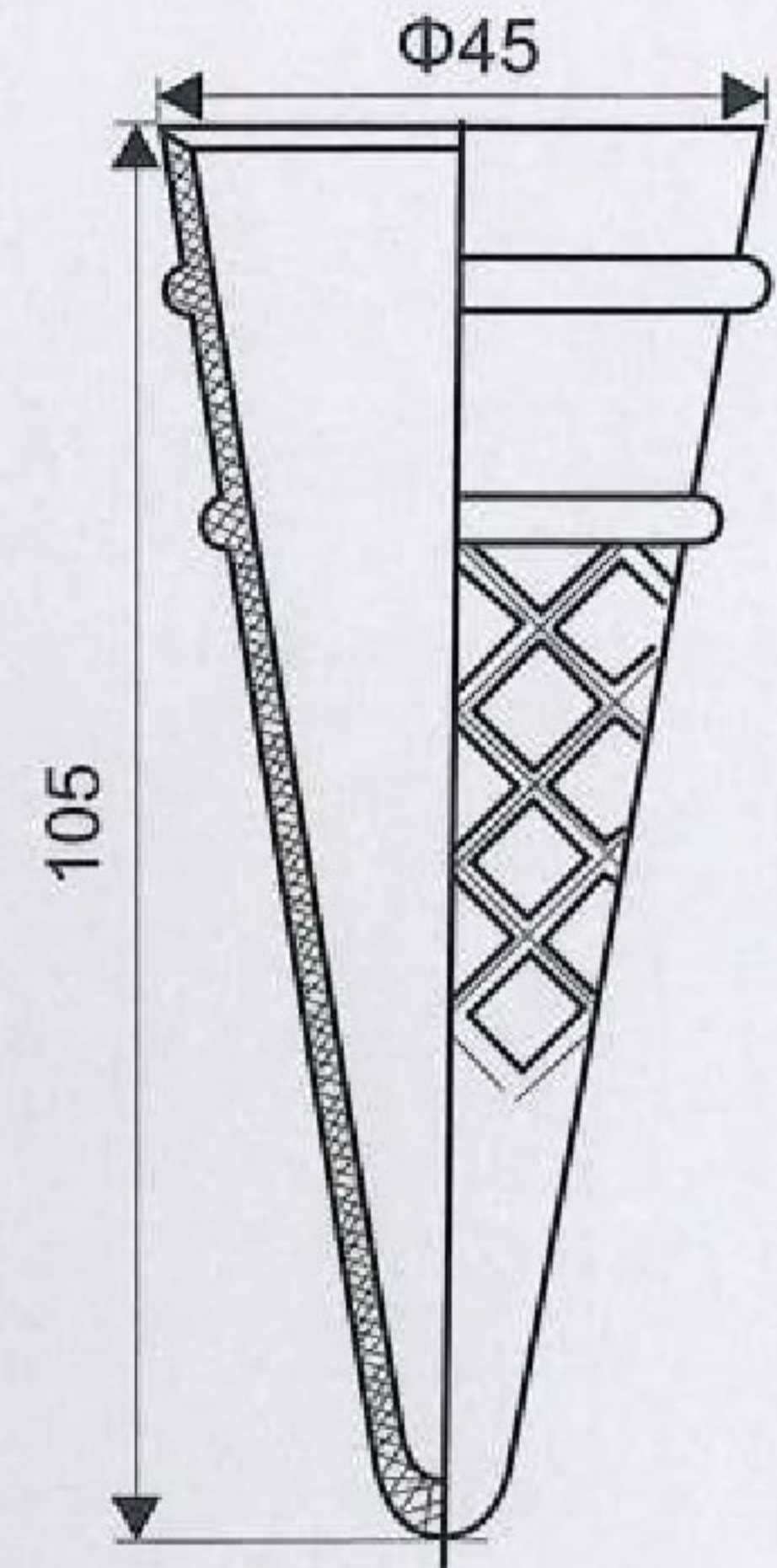
LV $\Phi 35*70$ Small cow horn



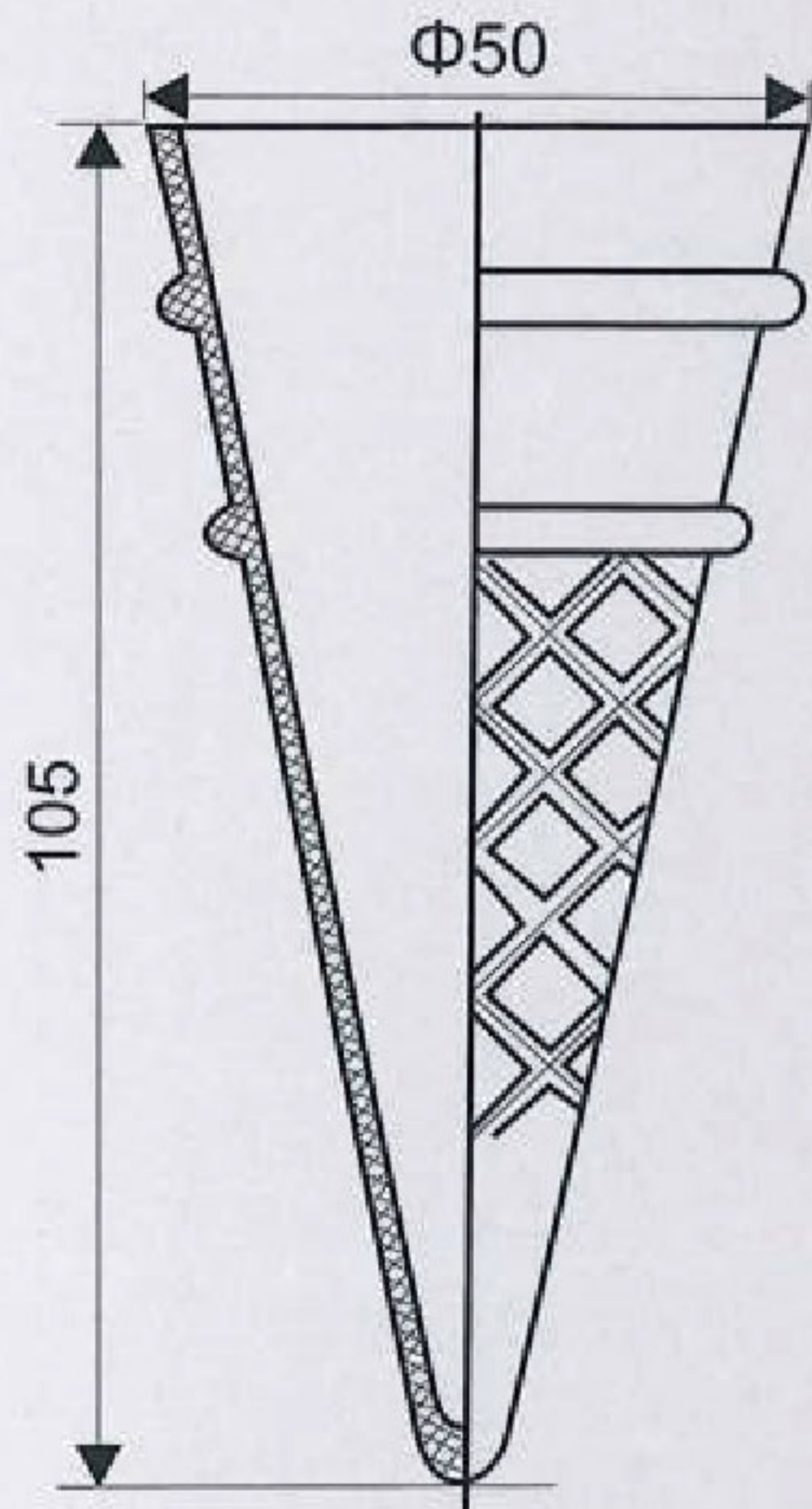
LH $\Phi 40*115$ Small cow horn



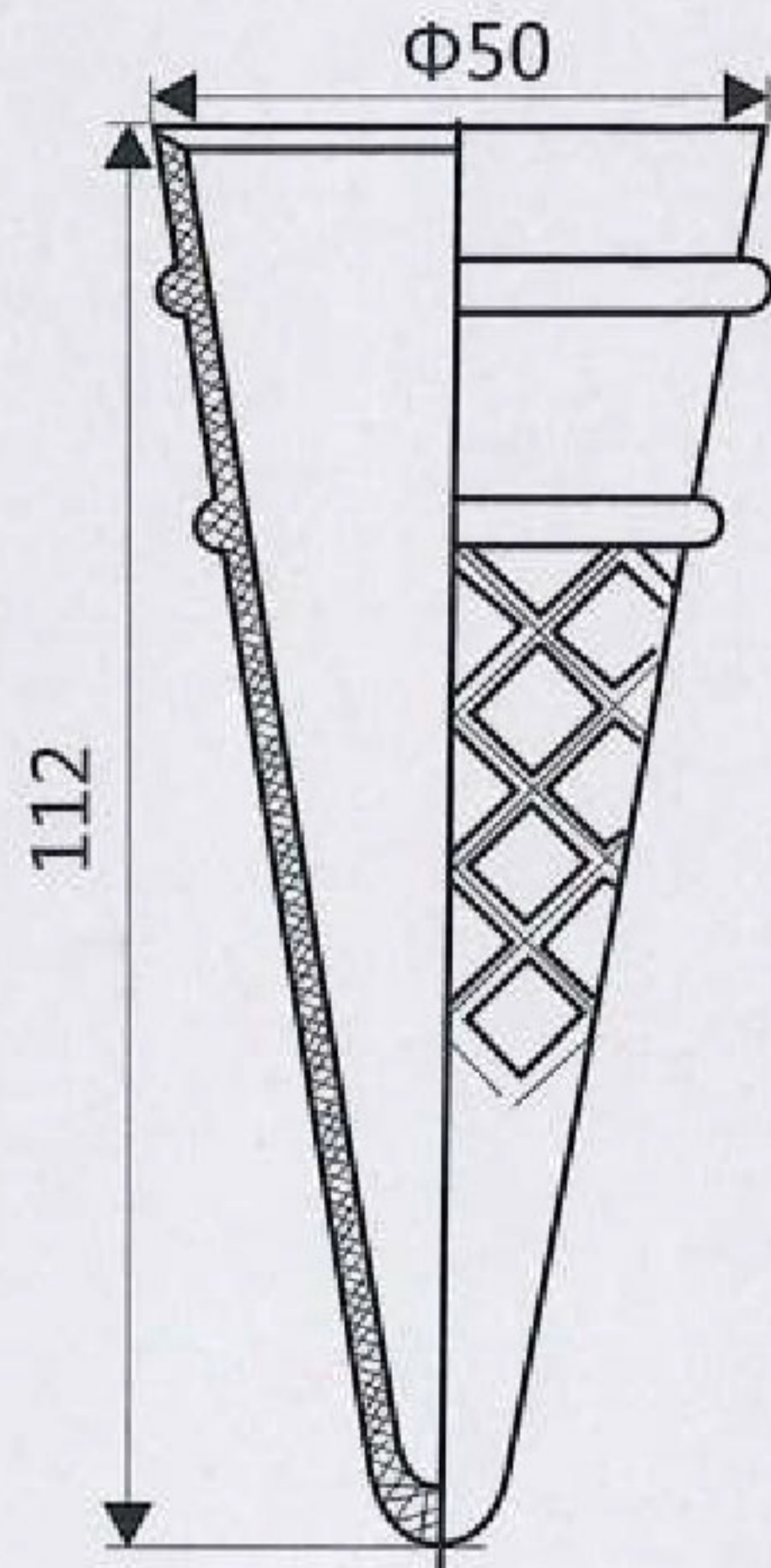
LG $\Phi 45*105$ Small cow horn



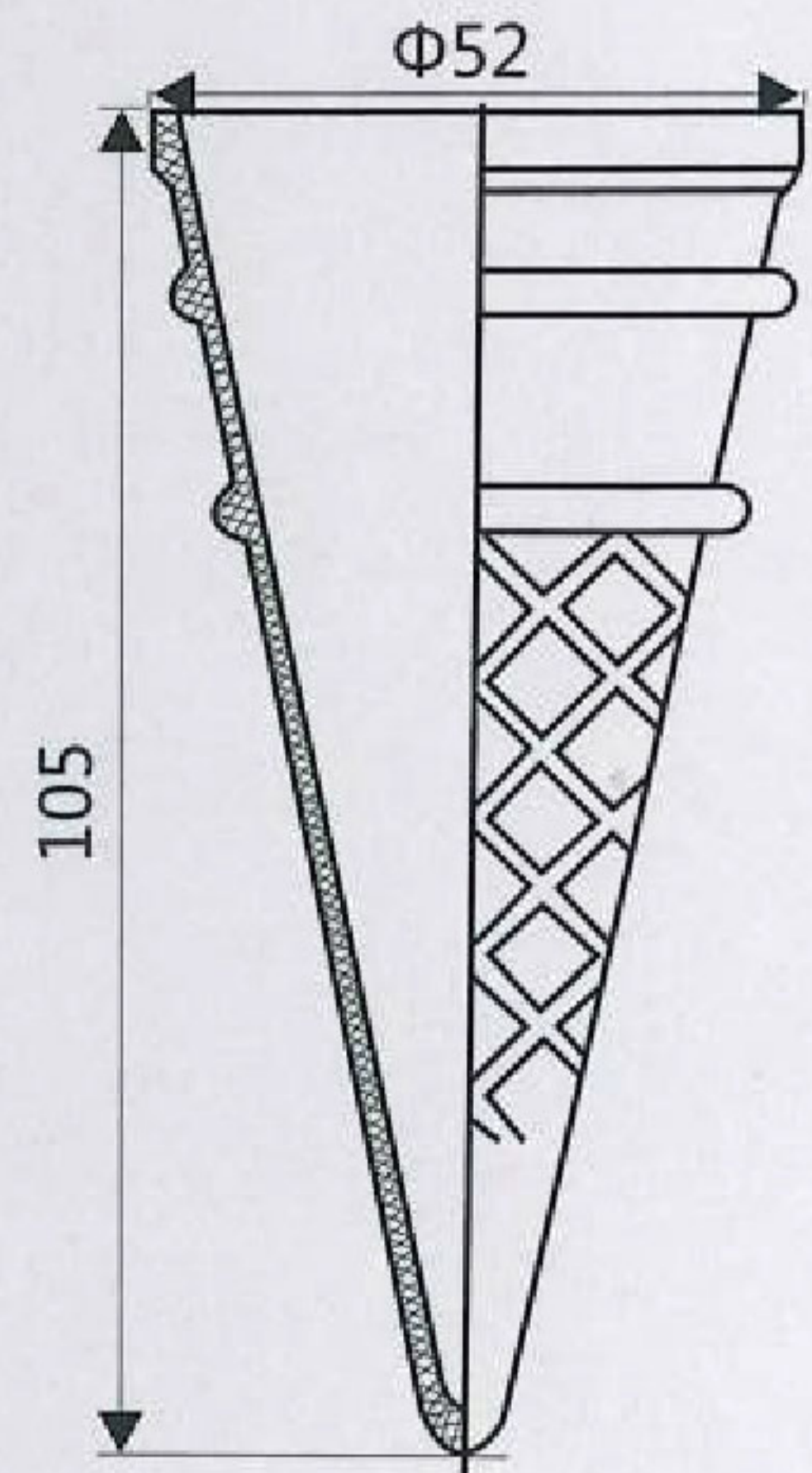
LK $\Phi 50*105$ Cow horn



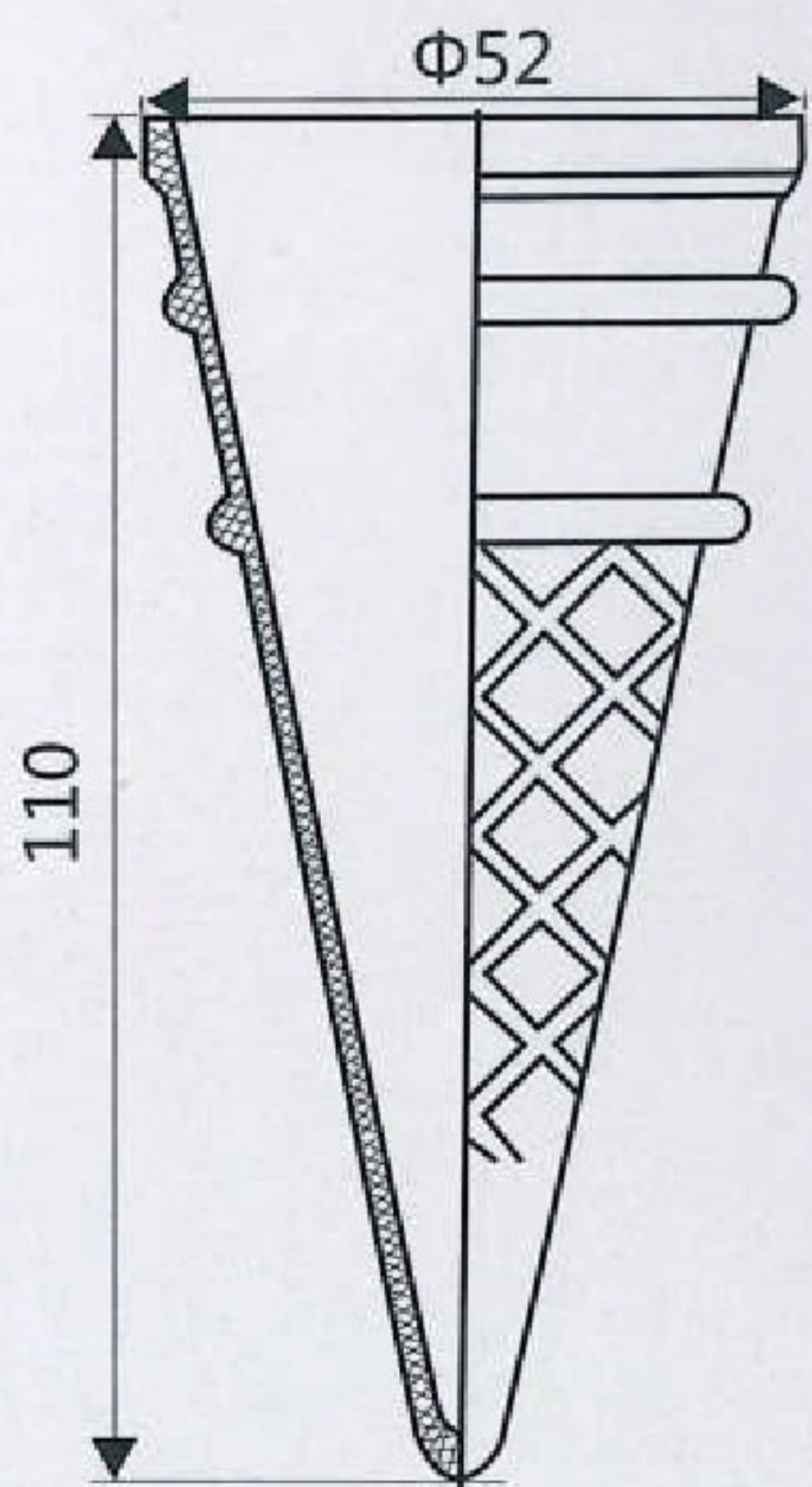
LD $\Phi 50*112$ Small cow horn



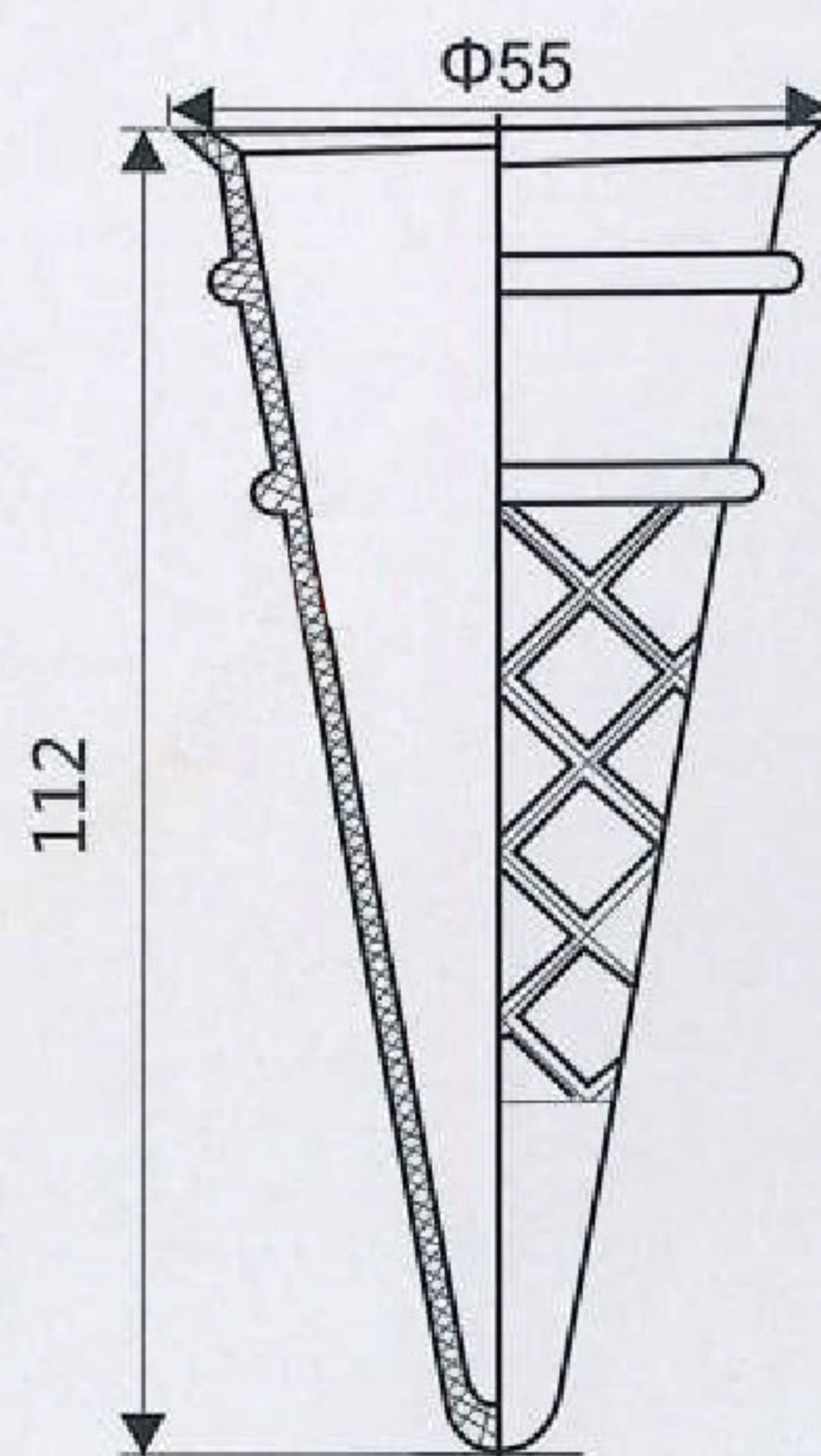
LJ $\Phi 52*105$ Cow horn



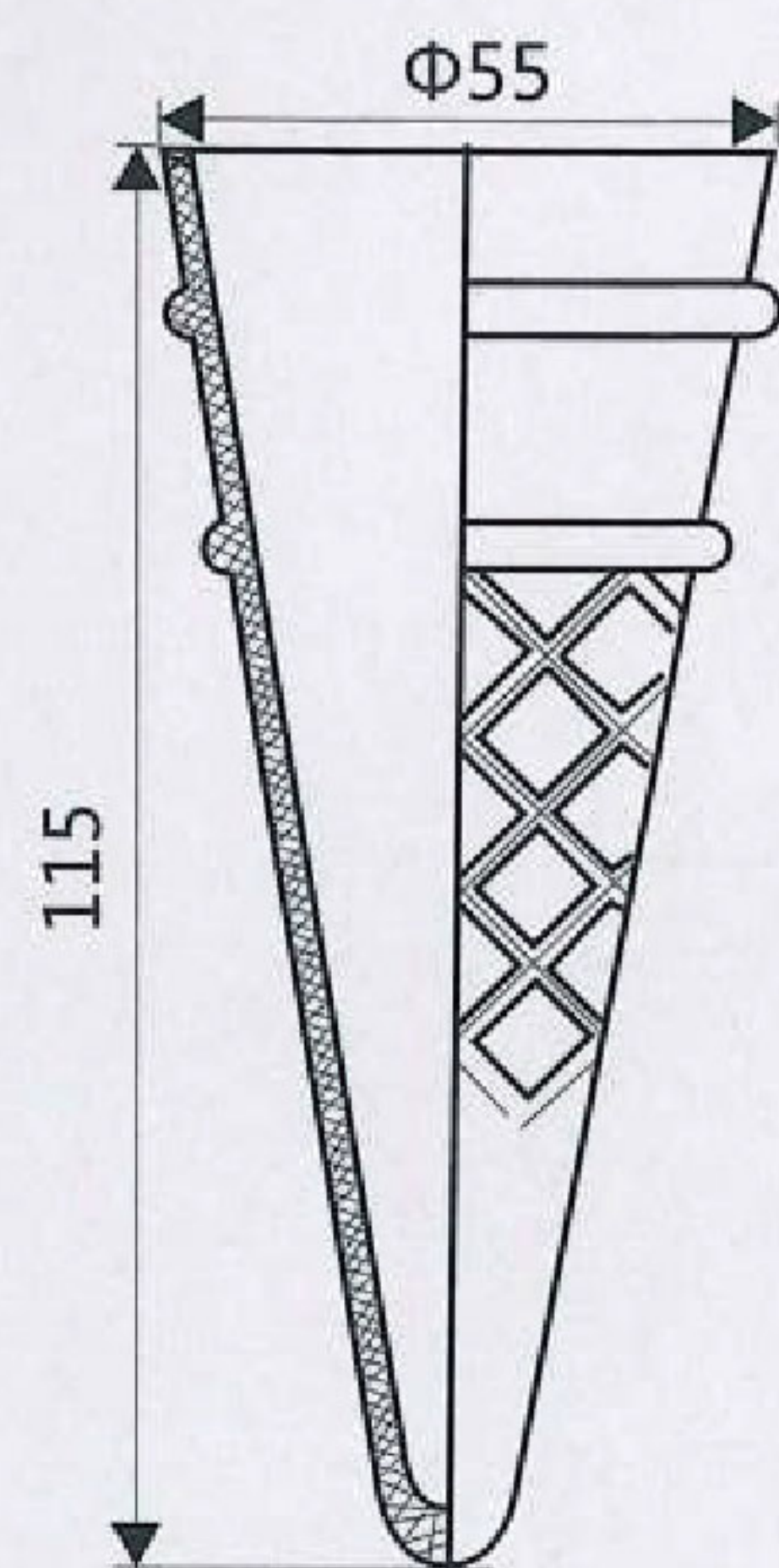
LI $\Phi 52*110$ Cow horn



LA $\Phi 55*112$ Lipped calf horn



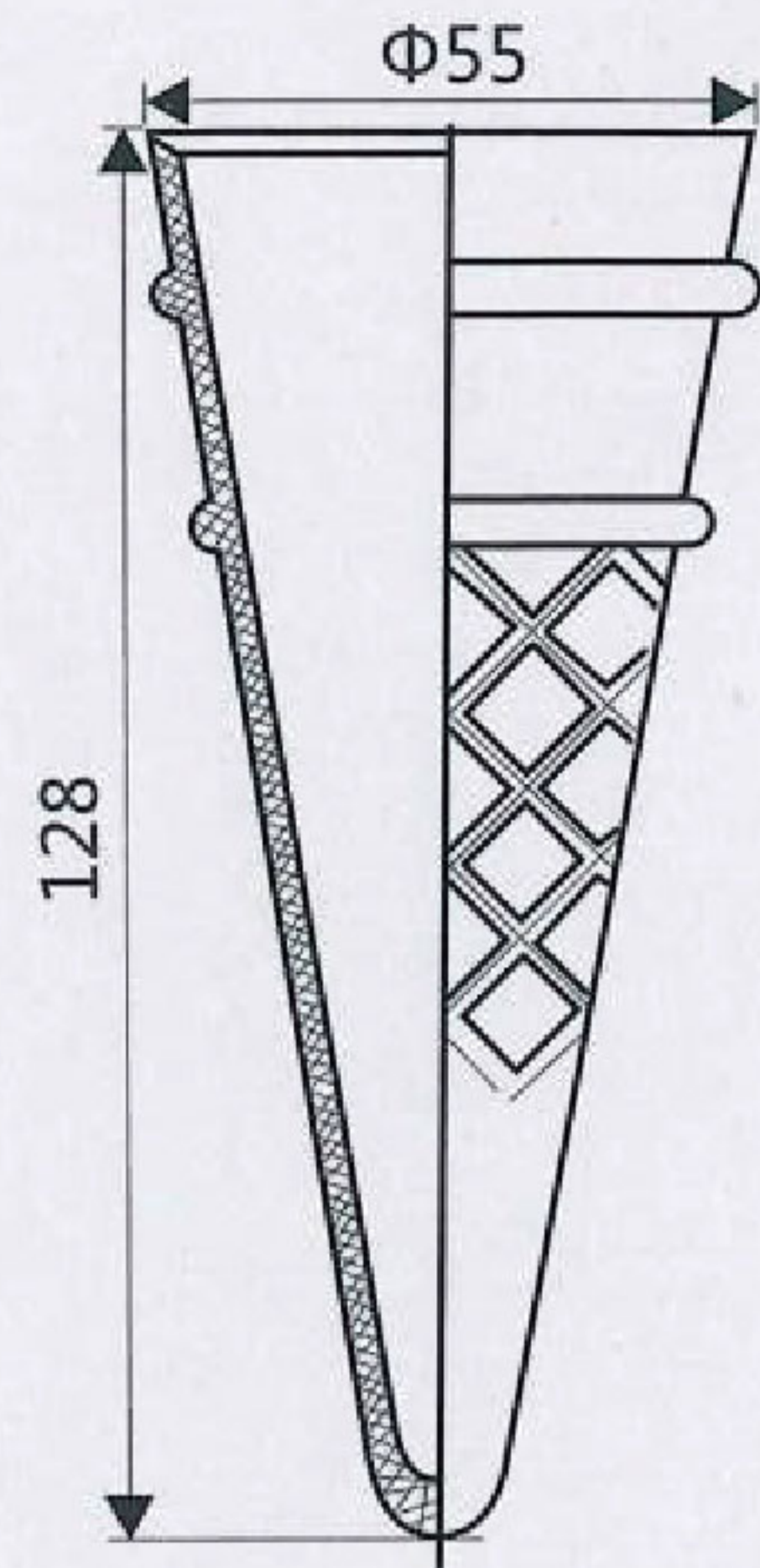
LI $\Phi 55*115$ Big bull horn



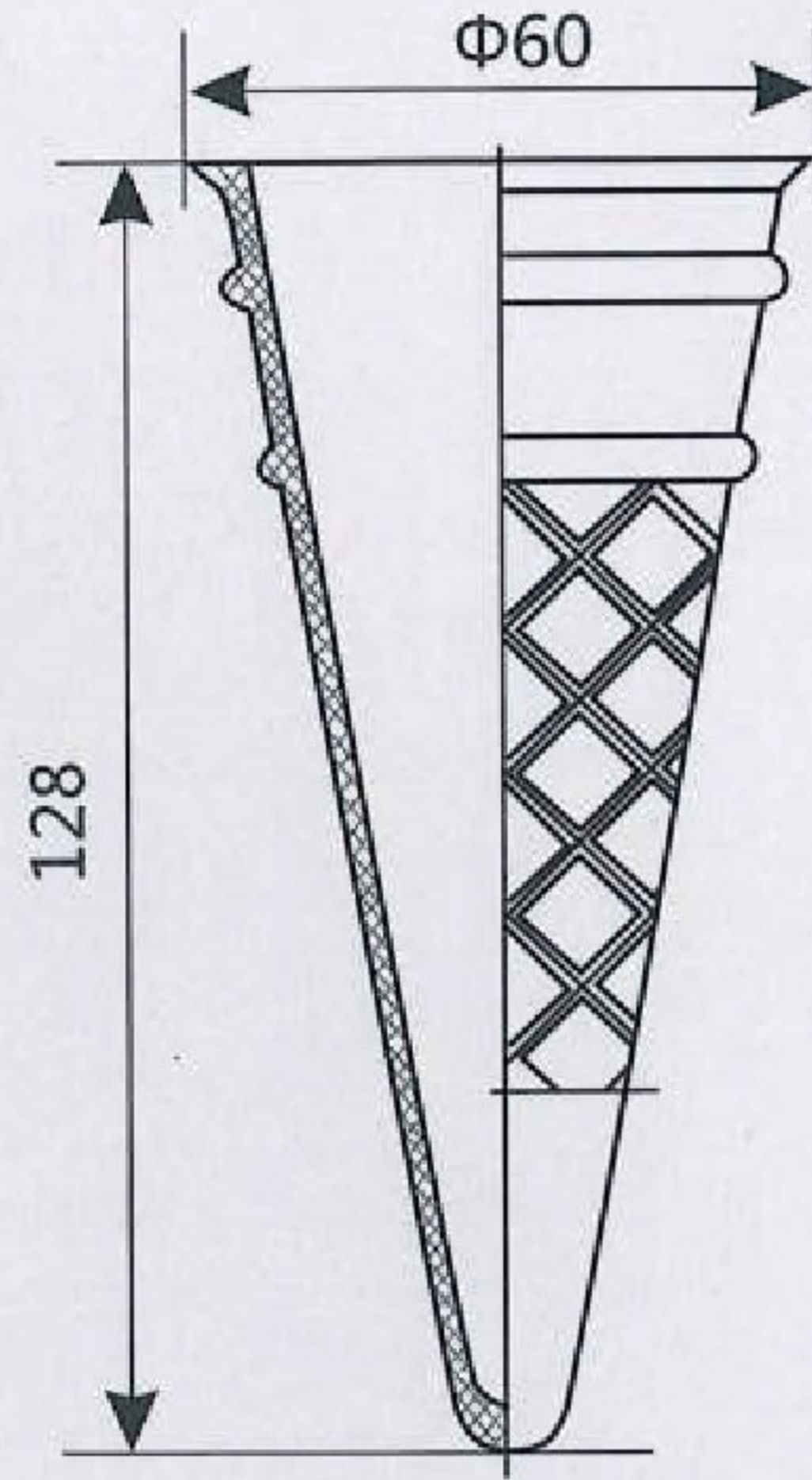


SAMPLE DRAWING OF EGG TRAY

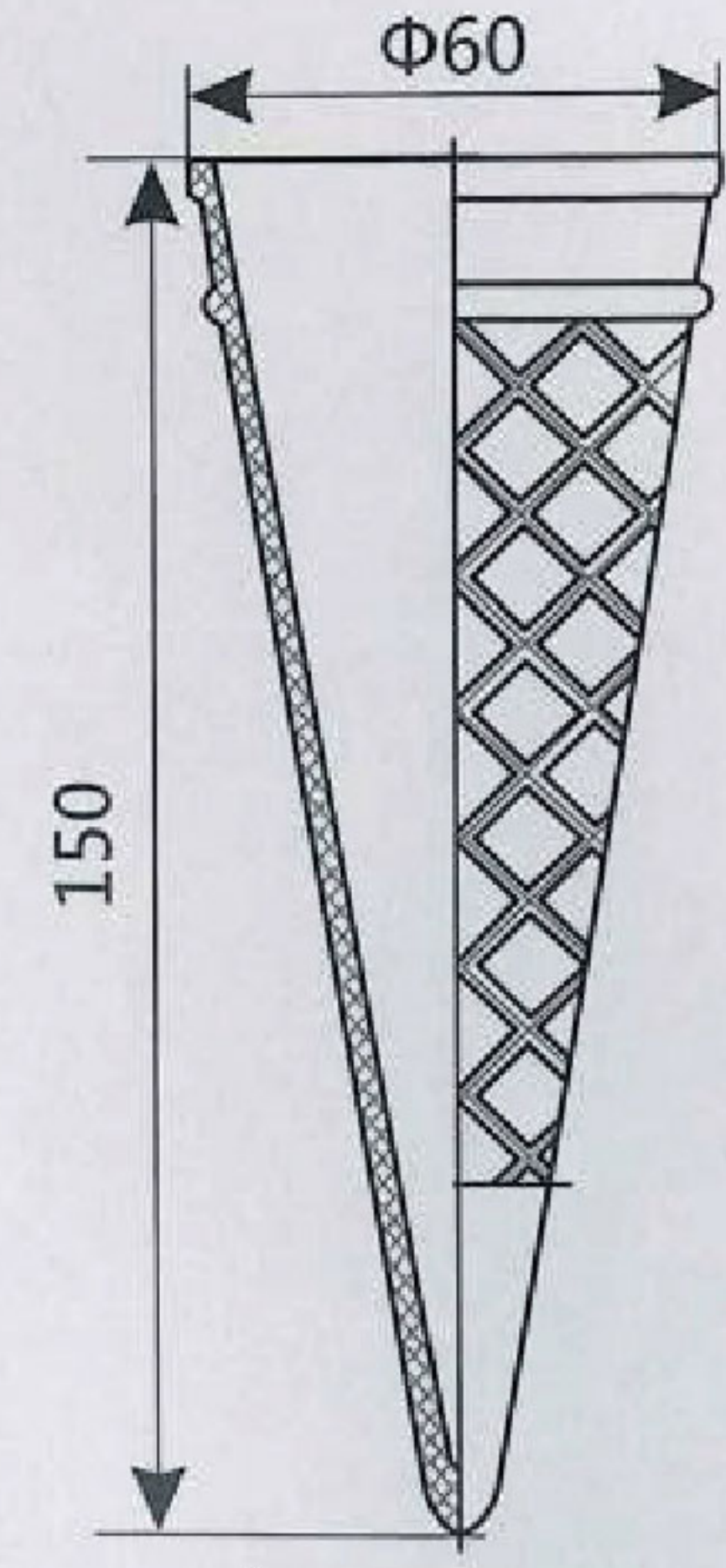
LE $\Phi 55*128$ Big torch



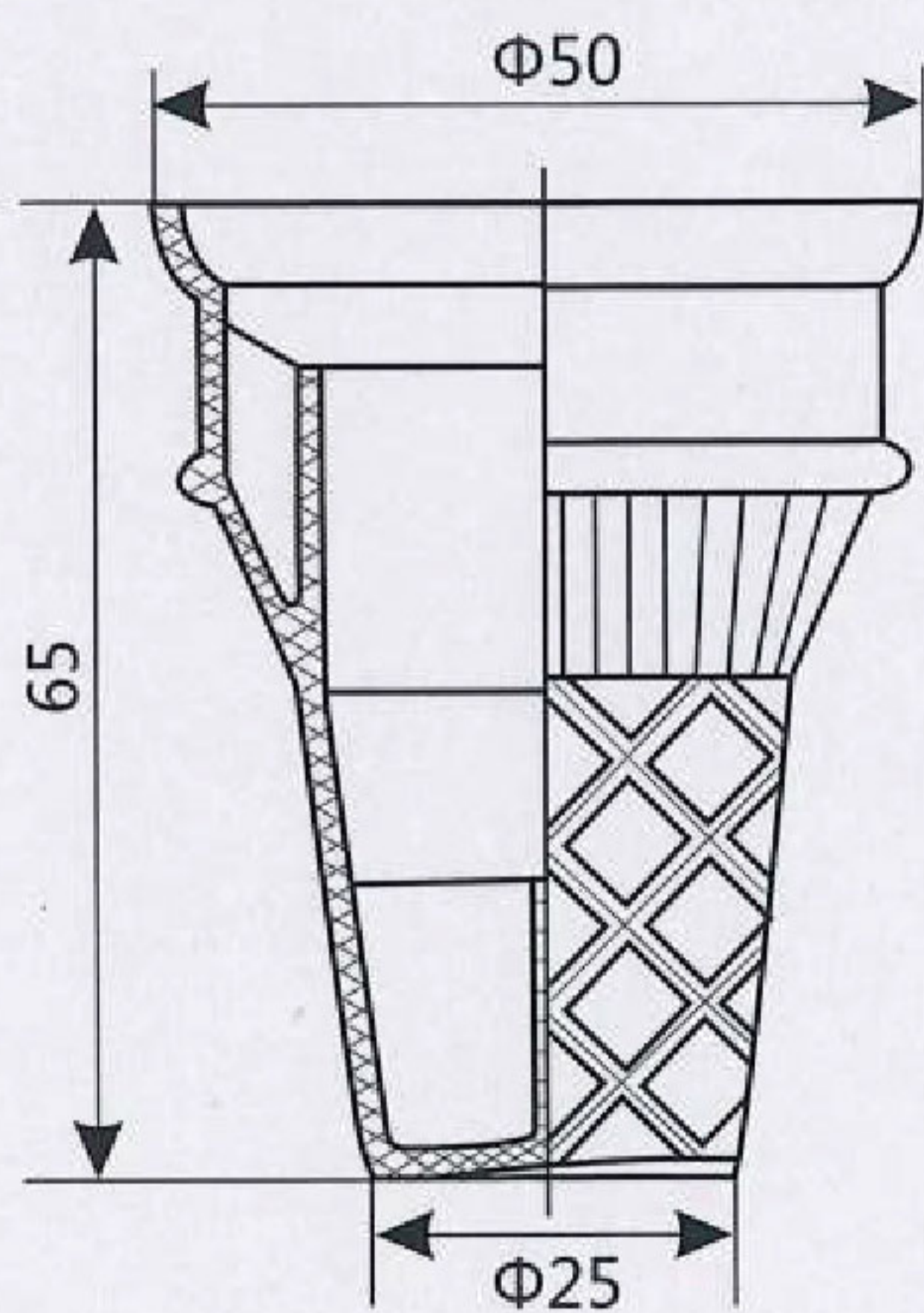
LB $\Phi 60*128$ Lipped big bull horn



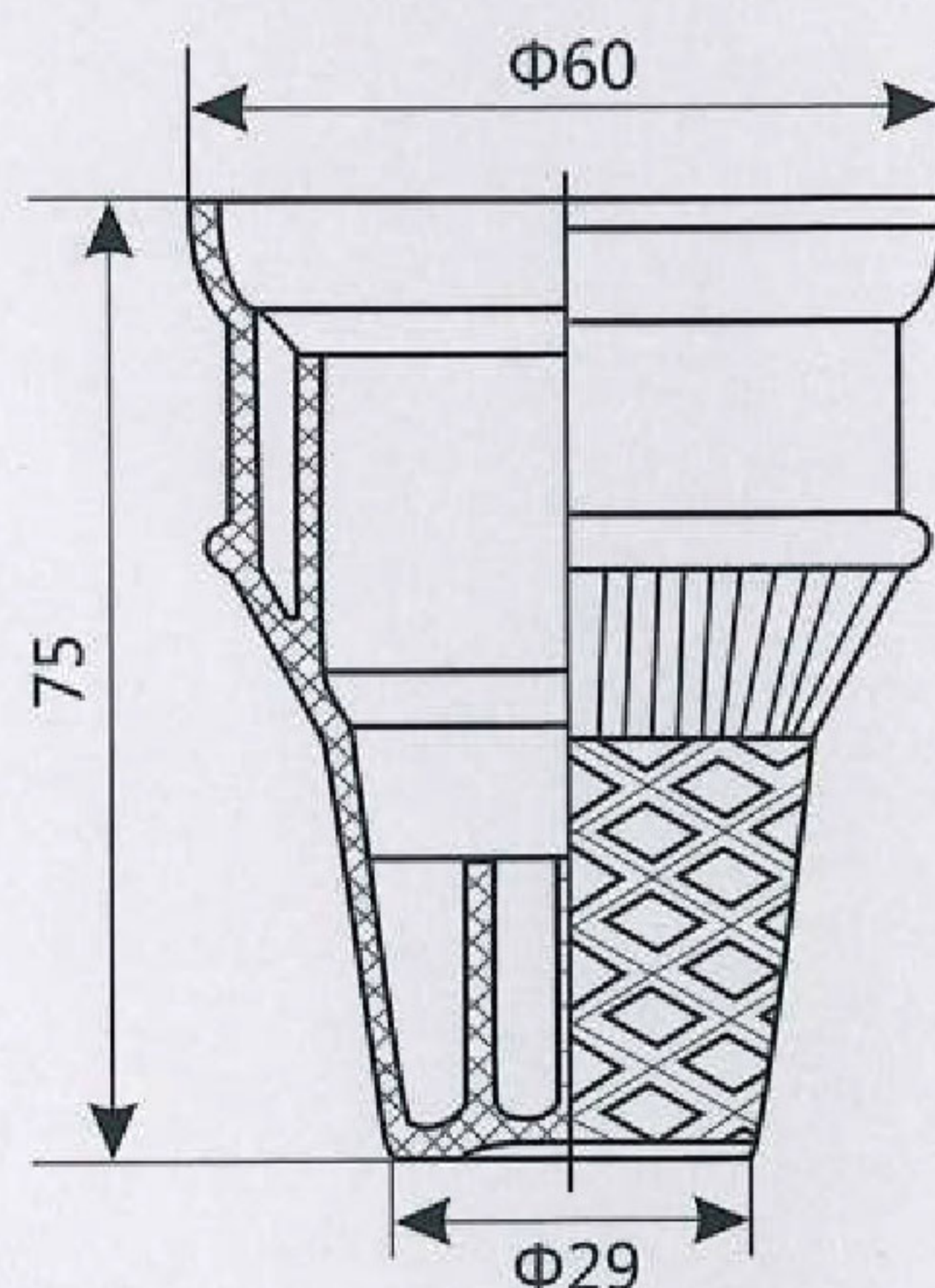
LN $\Phi 60*150$ Big torch



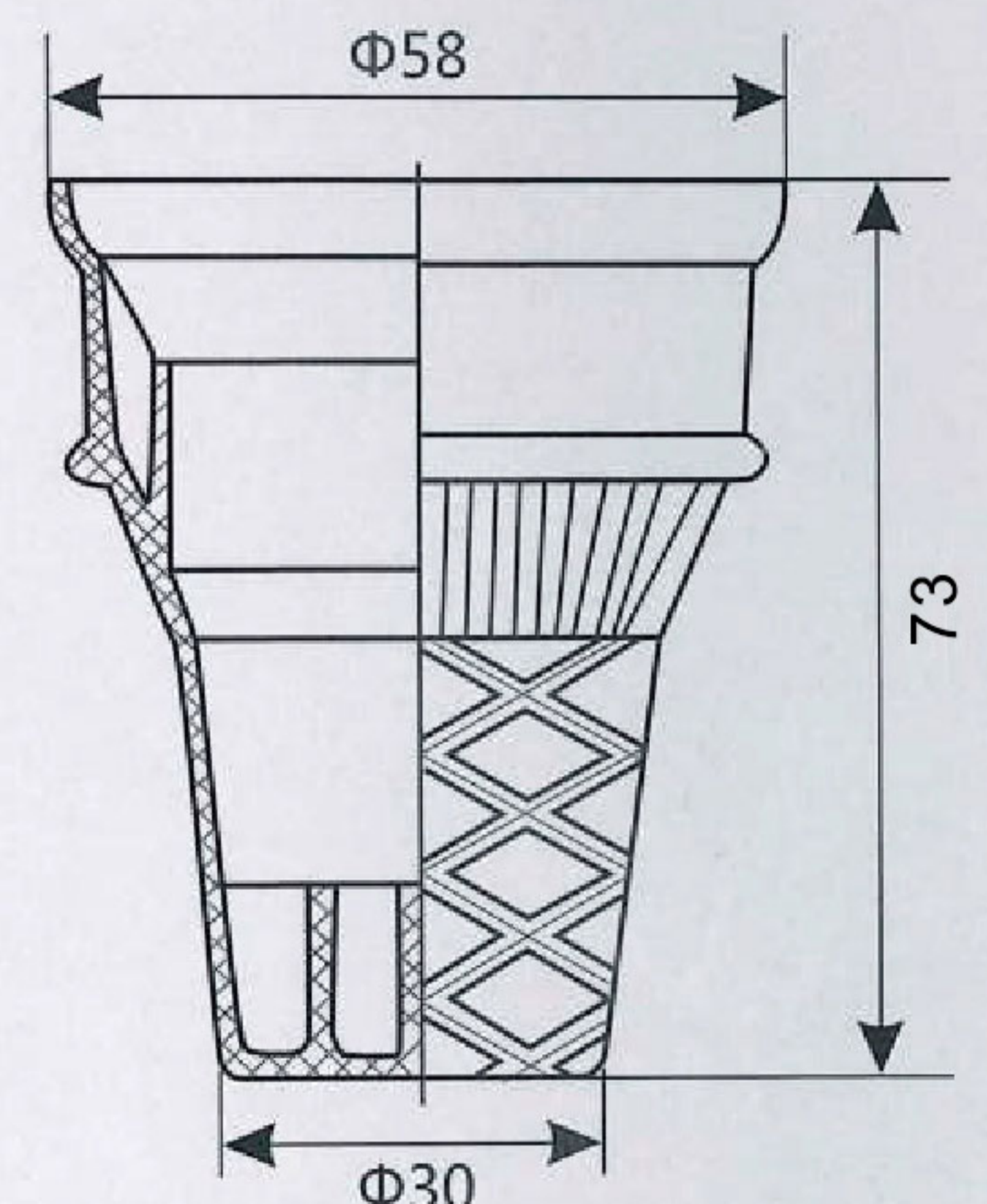
BI $\Phi 50*65$ Flat bottomed flower cup



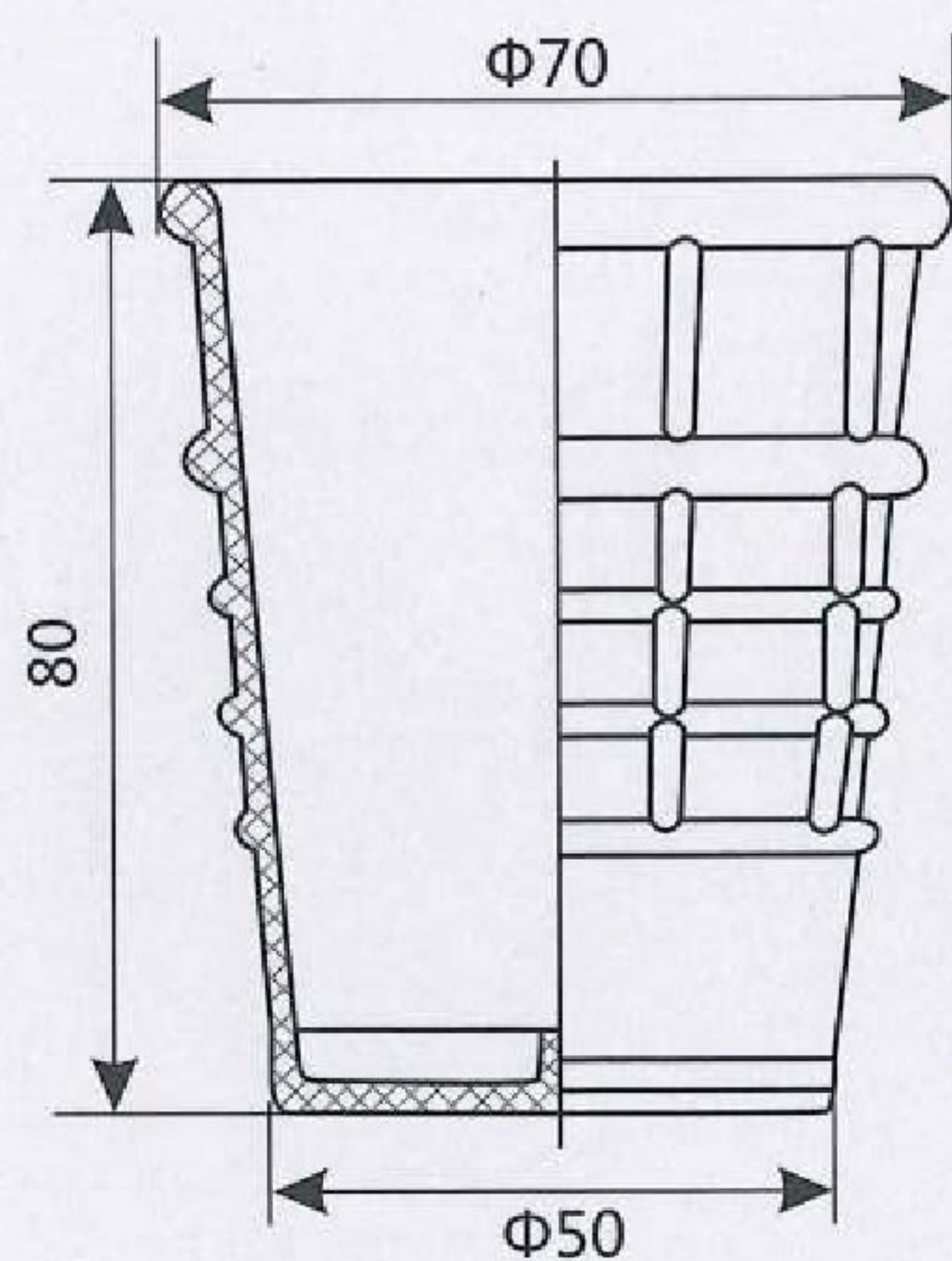
BH $\Phi 60*75$ Flat bottomed flower cup



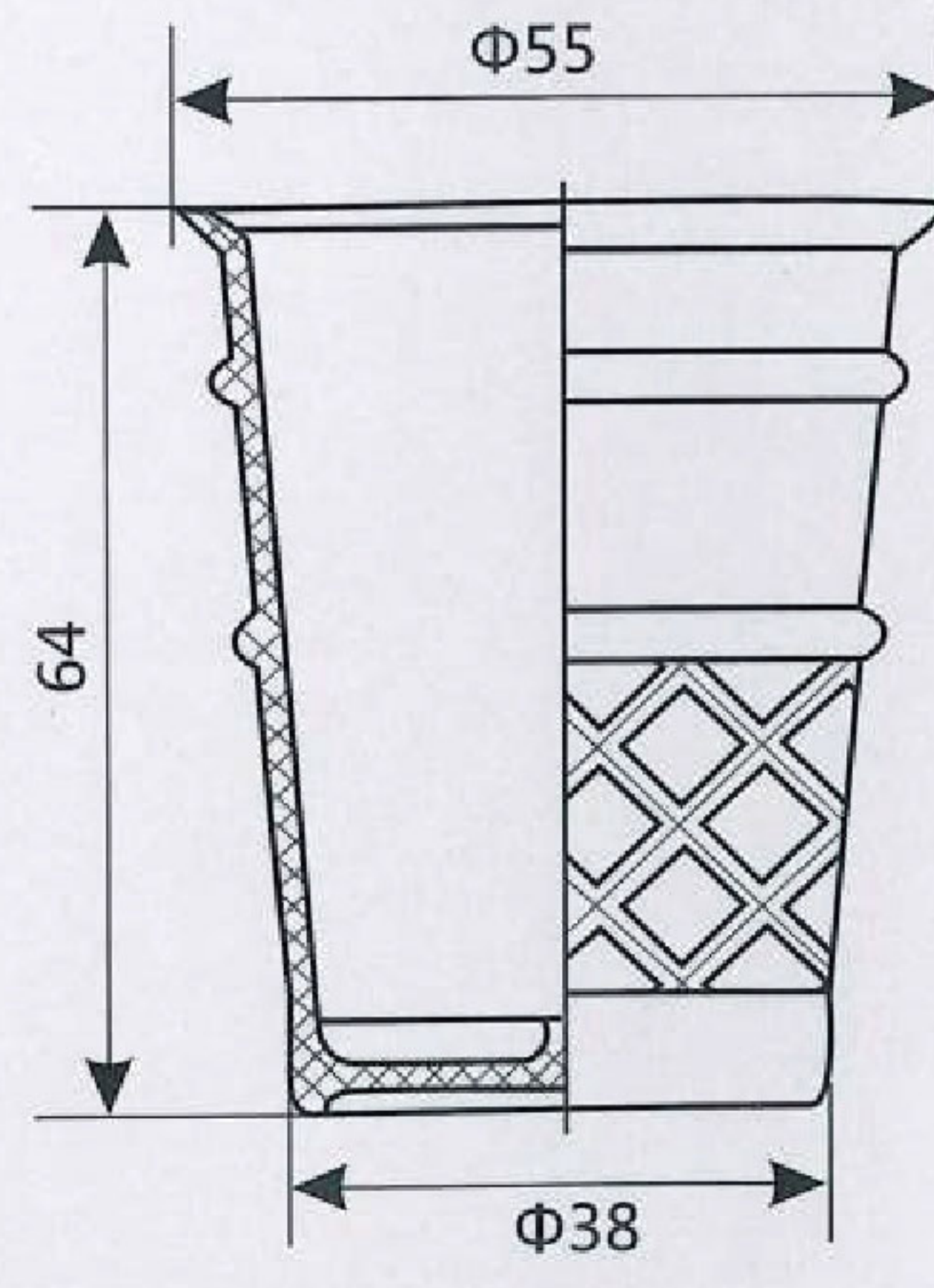
BO $\Phi 58*73$ Flat bottomed flower cup



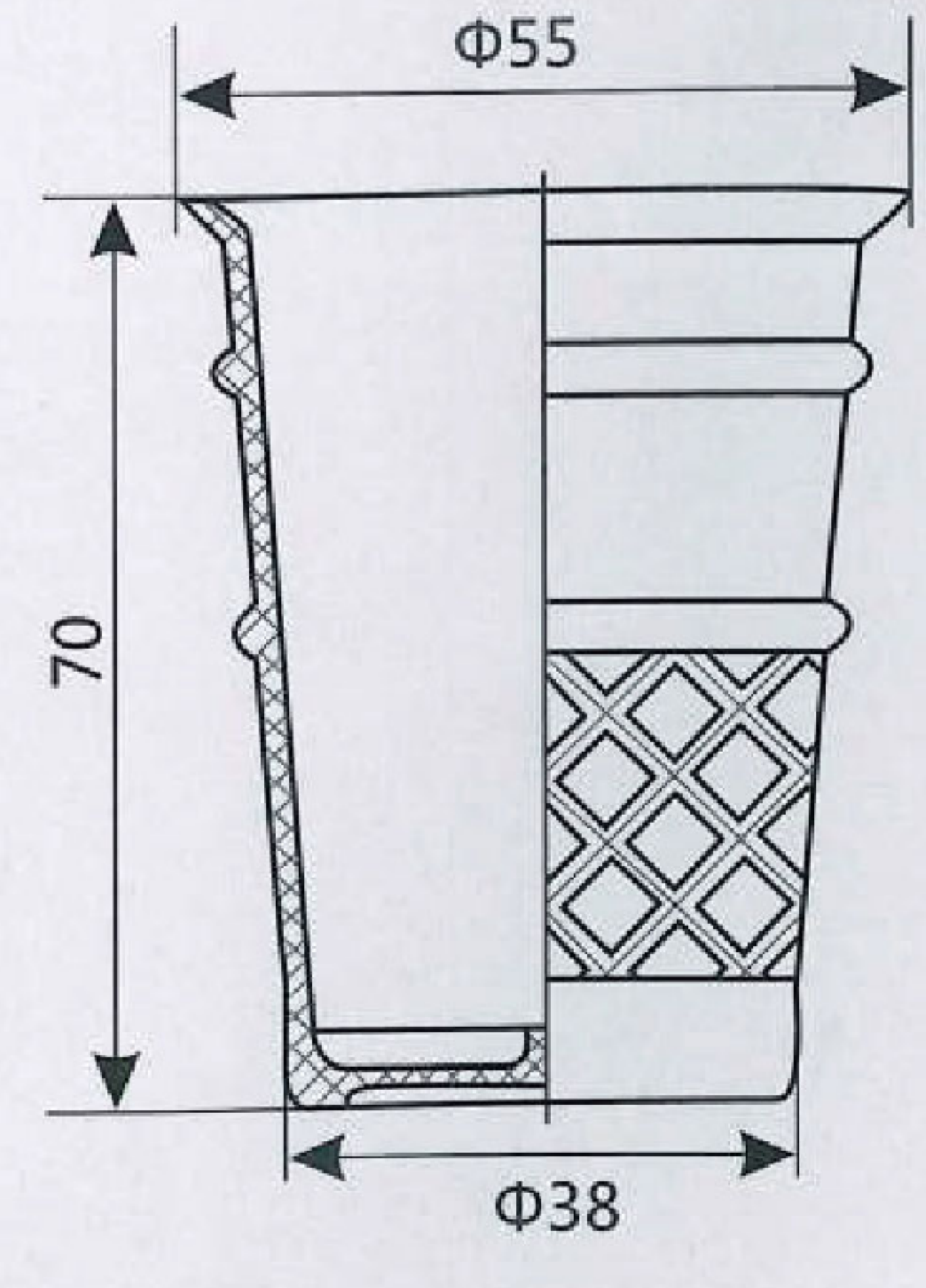
BM $\Phi 70*80$ Mongolian cup



BA $\Phi 55*64$ Lipped small cup



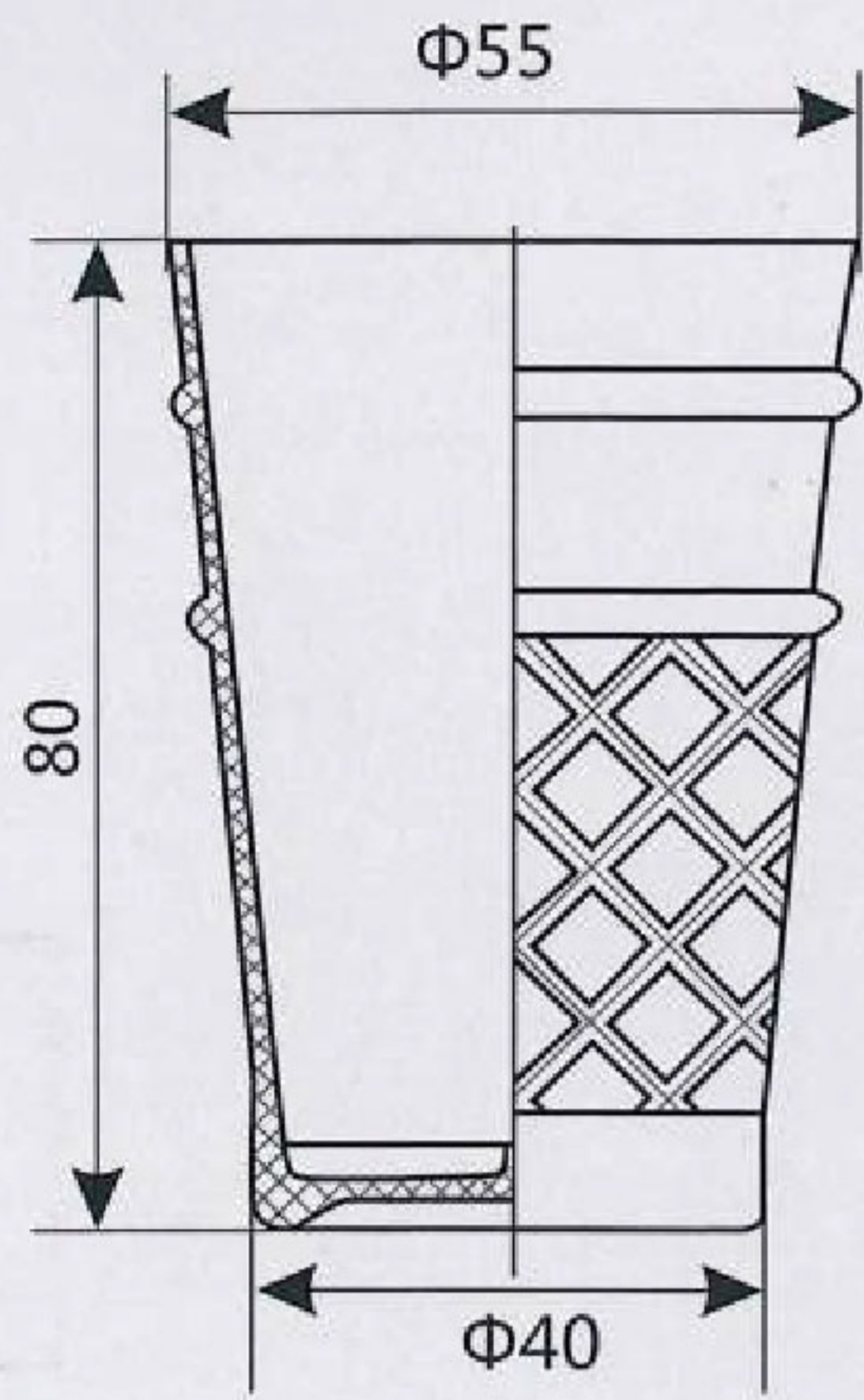
BC $\Phi 55*70$ Lipped small cup



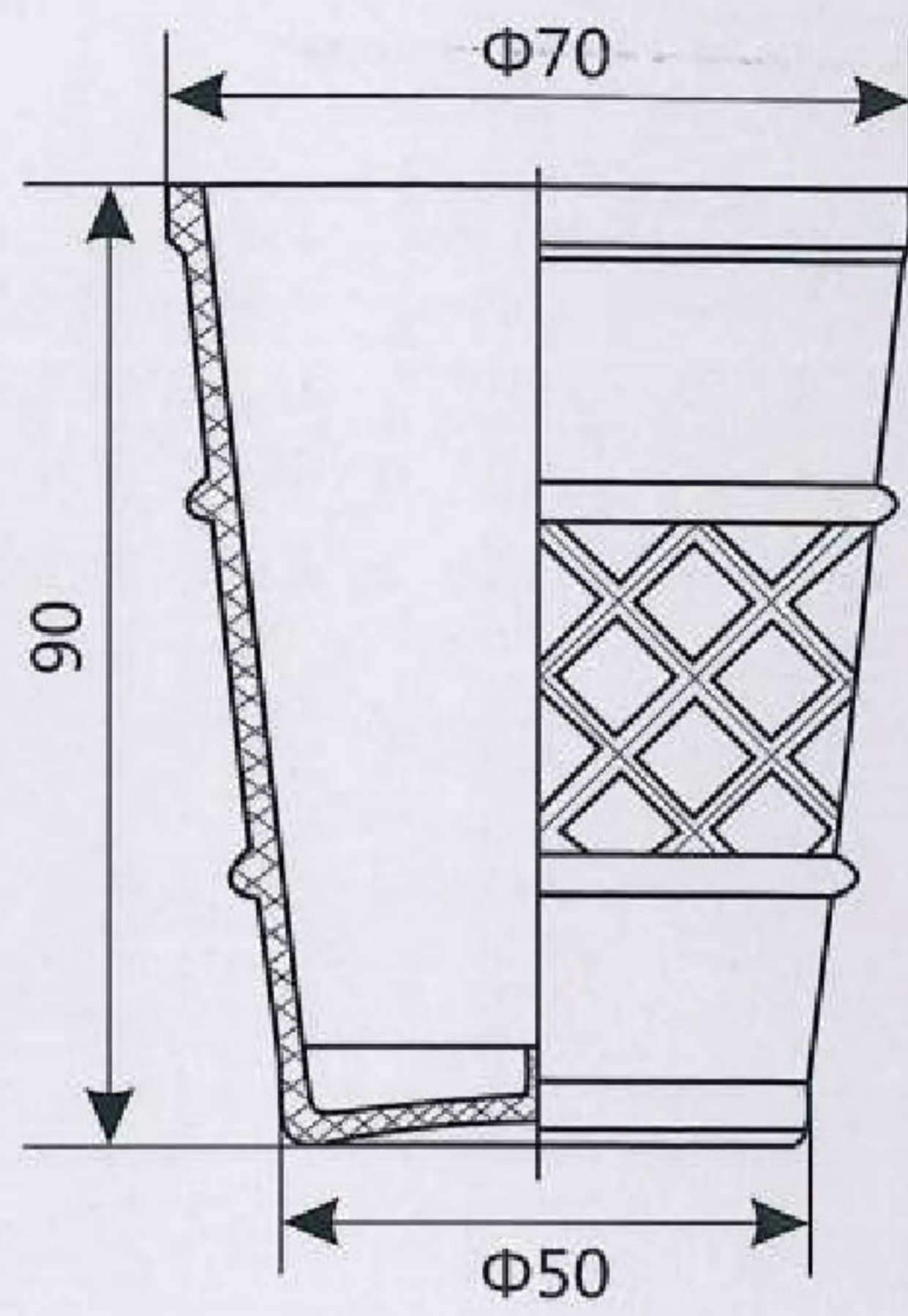
SAMPLE DRAWING OF EGG TRAY



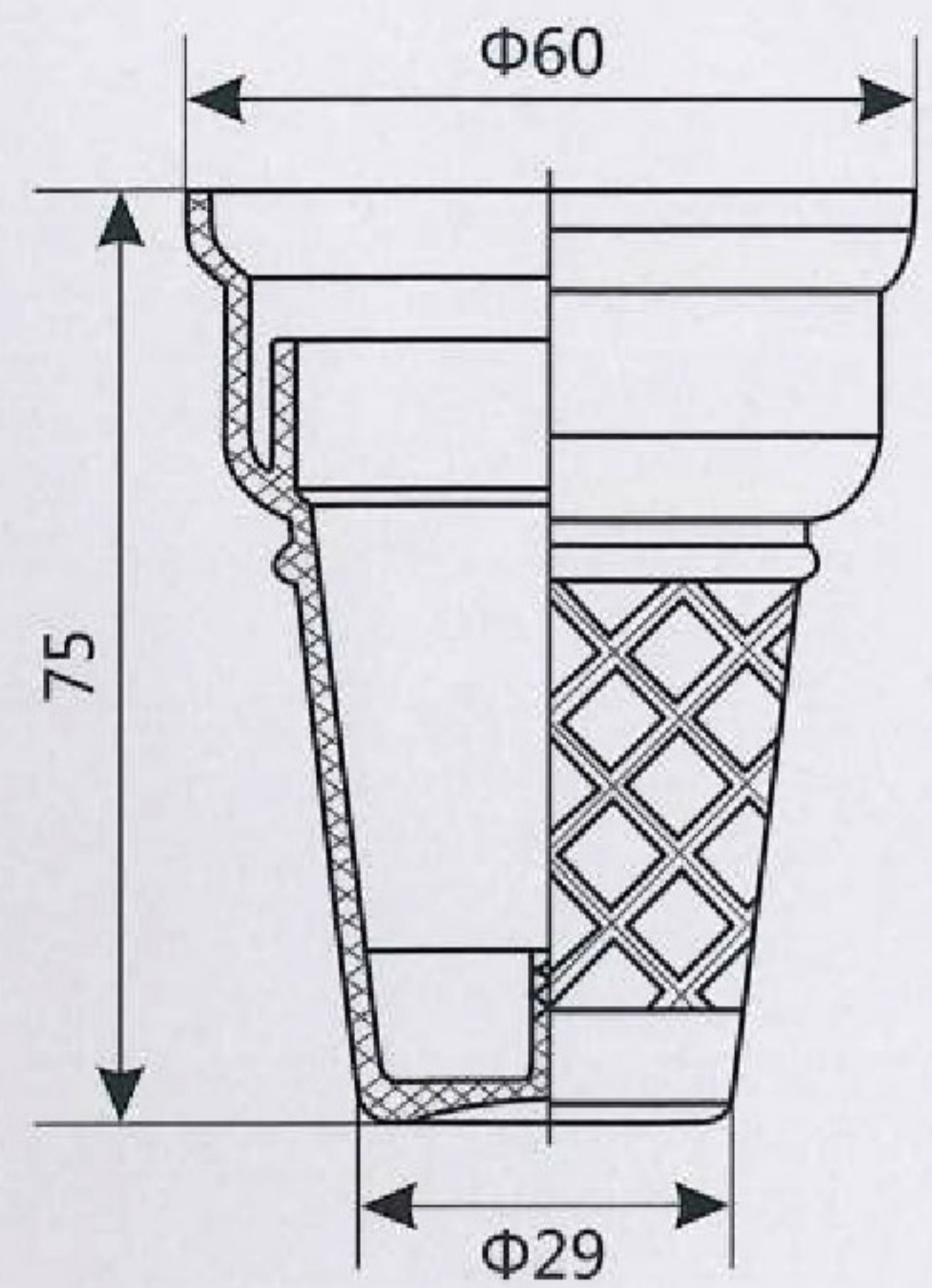
BE $\Phi 55*80$ Middle cup



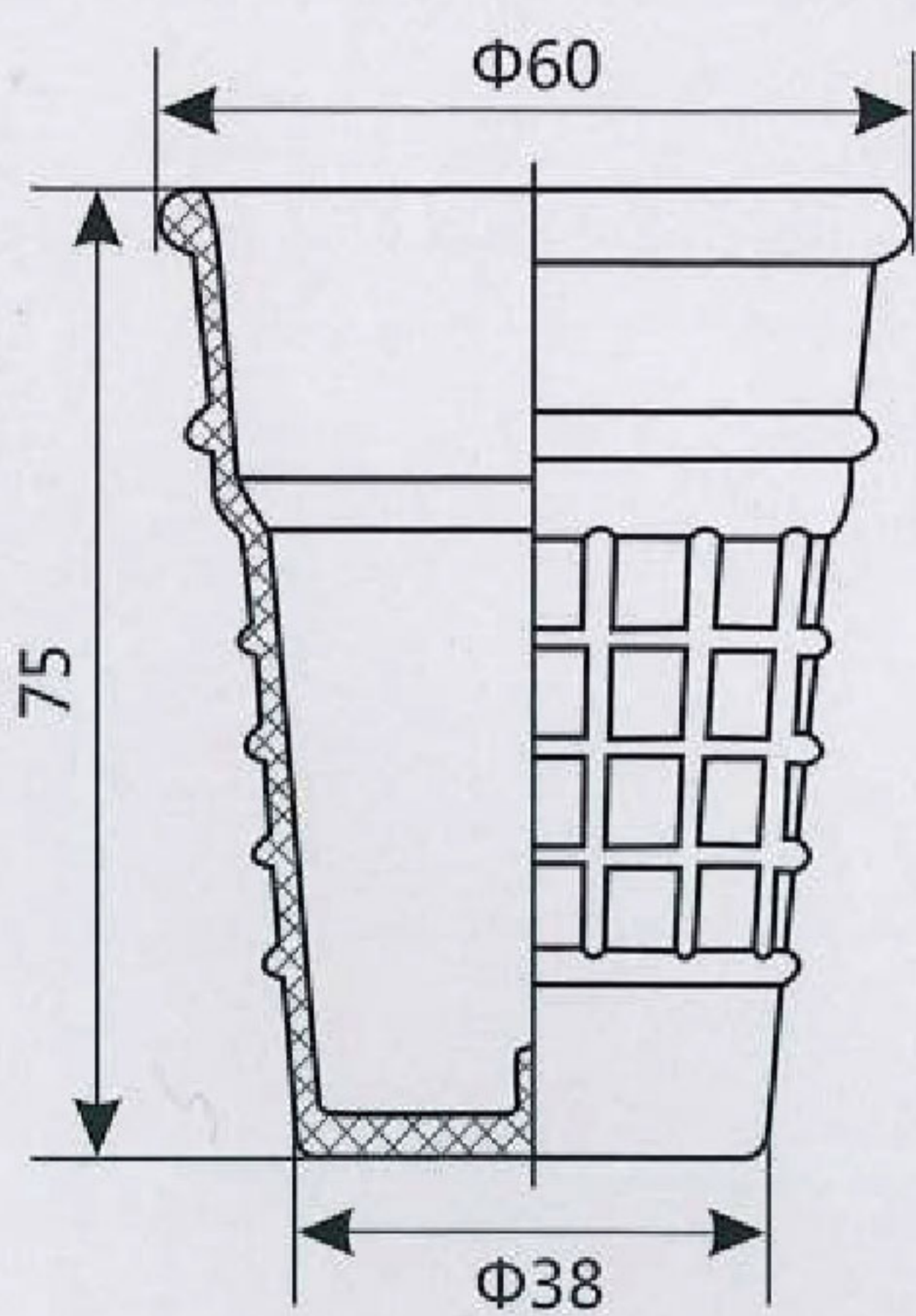
BF $\Phi 70*90$ Wenzhou cup



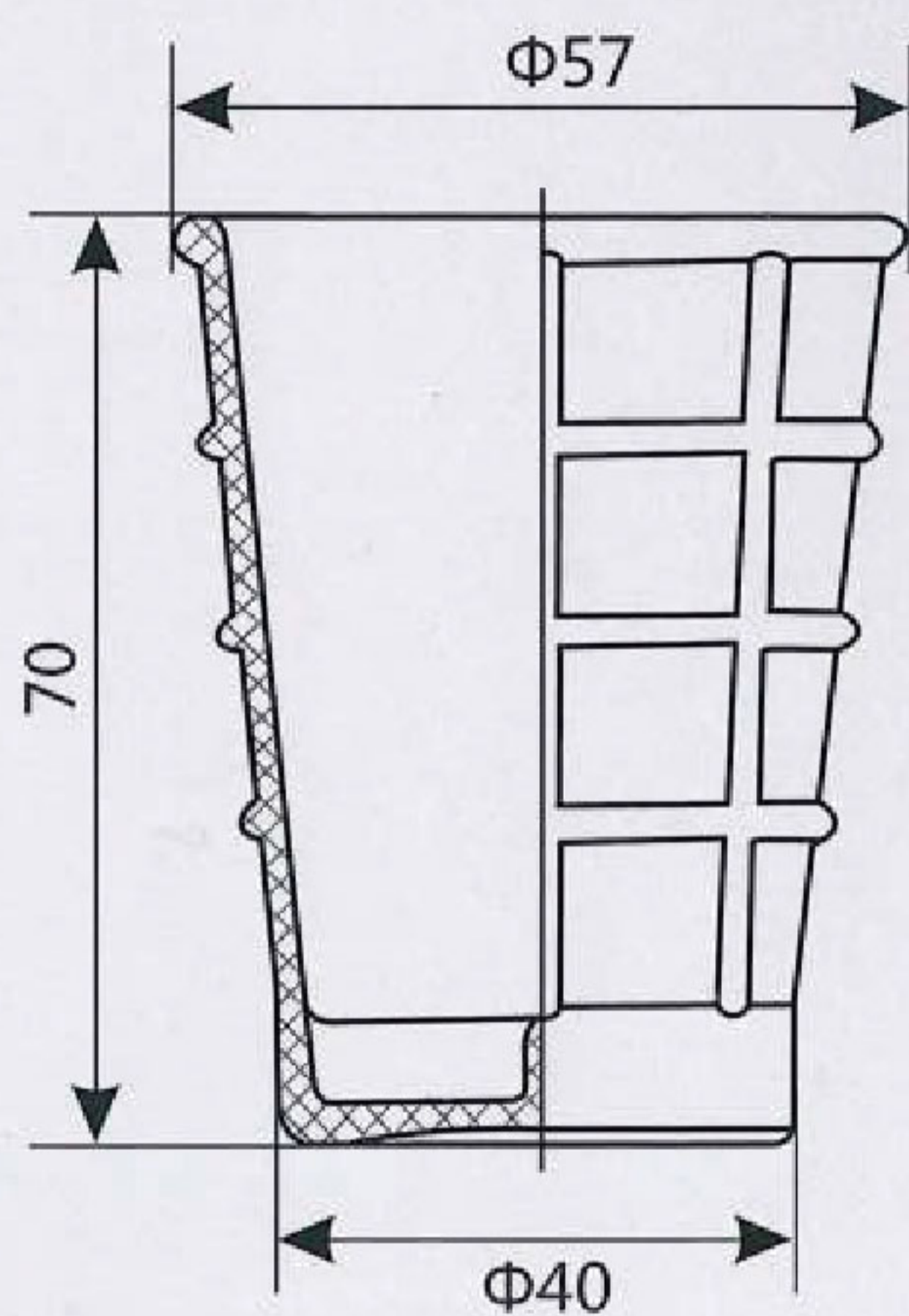
BJ $\Phi 60*75$ Big flower cup



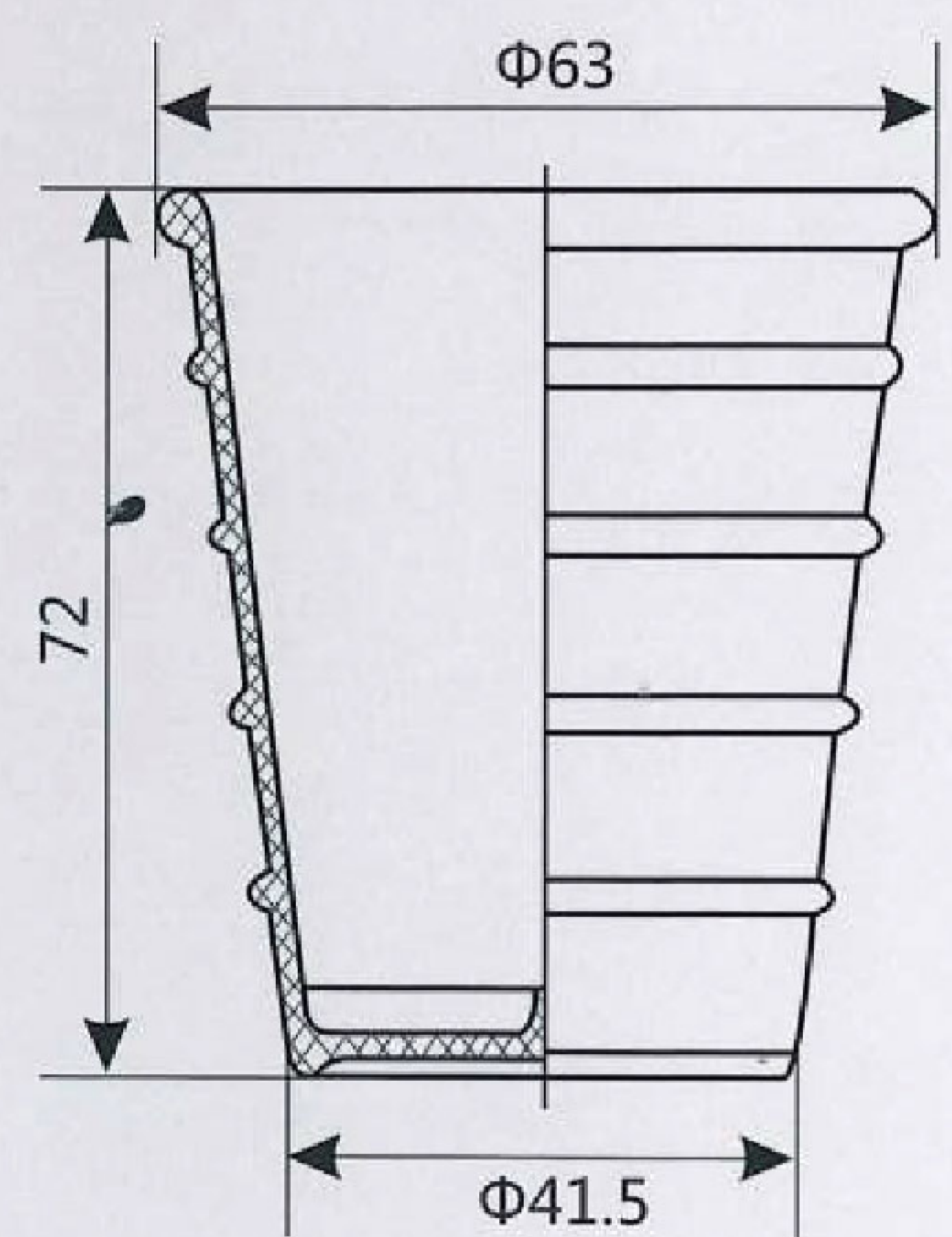
BL $\Phi 60*75$ Big flower cup



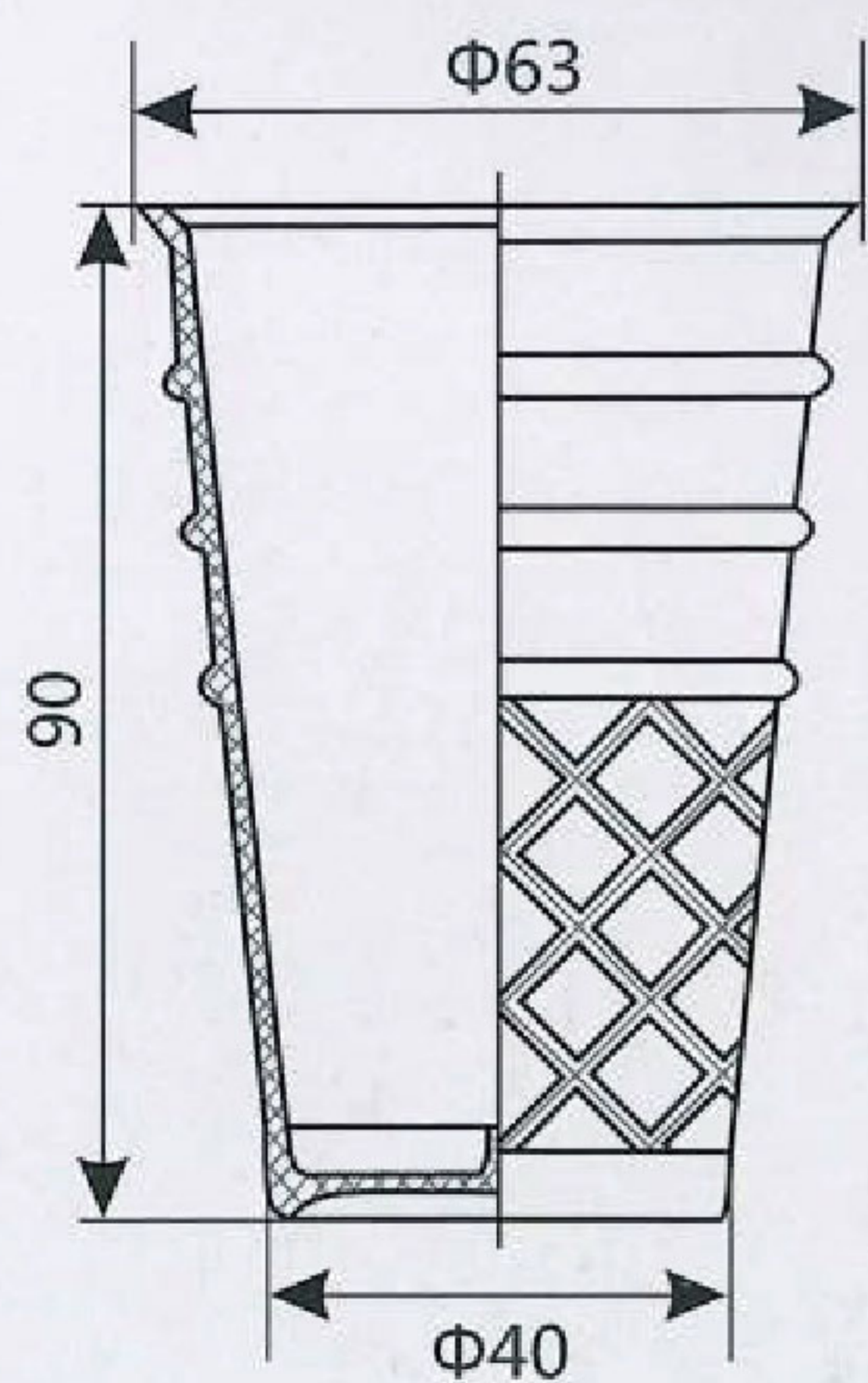
BK $\Phi 57*70$ Mongolian cup



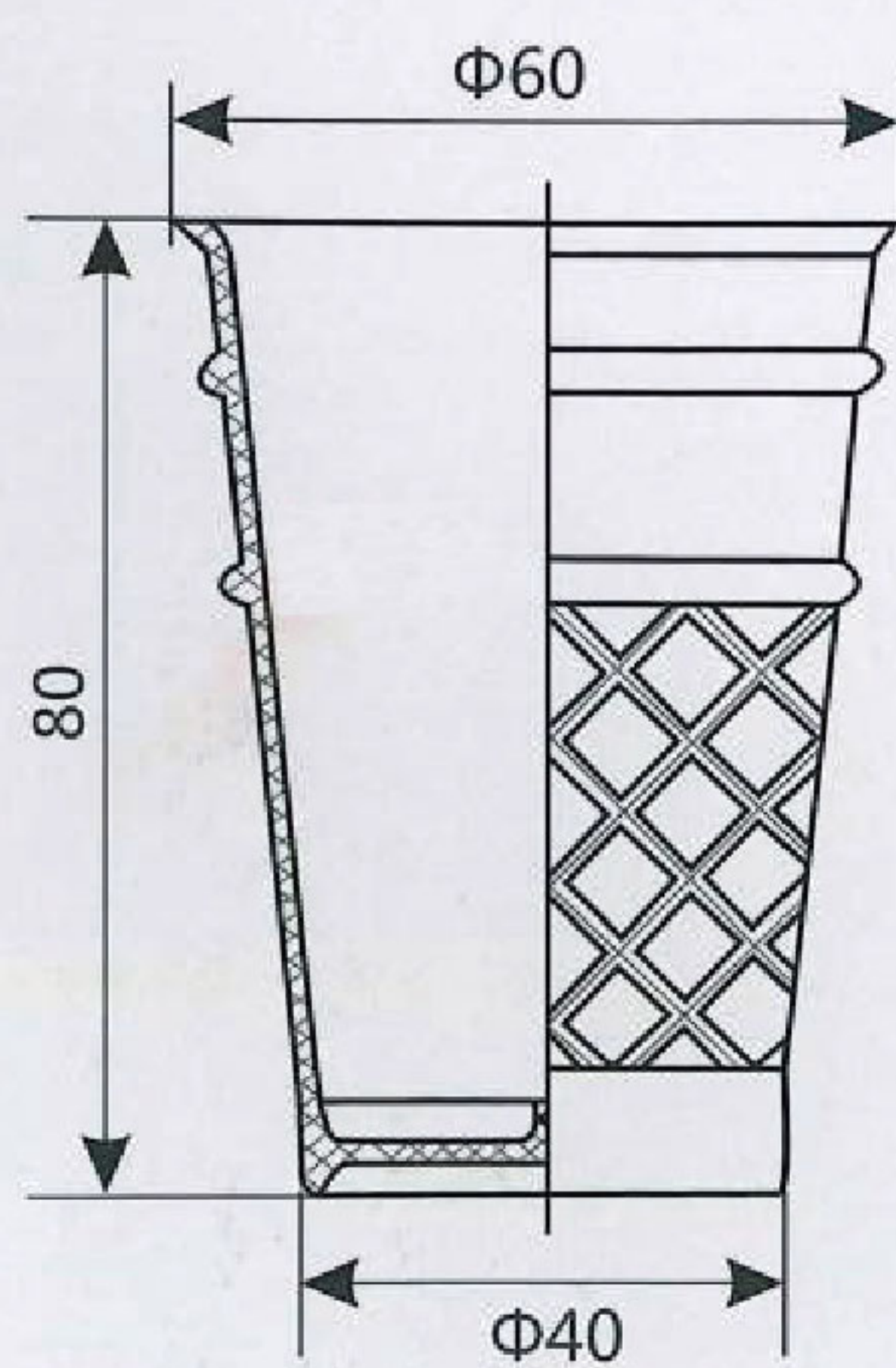
BG $\Phi 63*72$ Mongolian cup



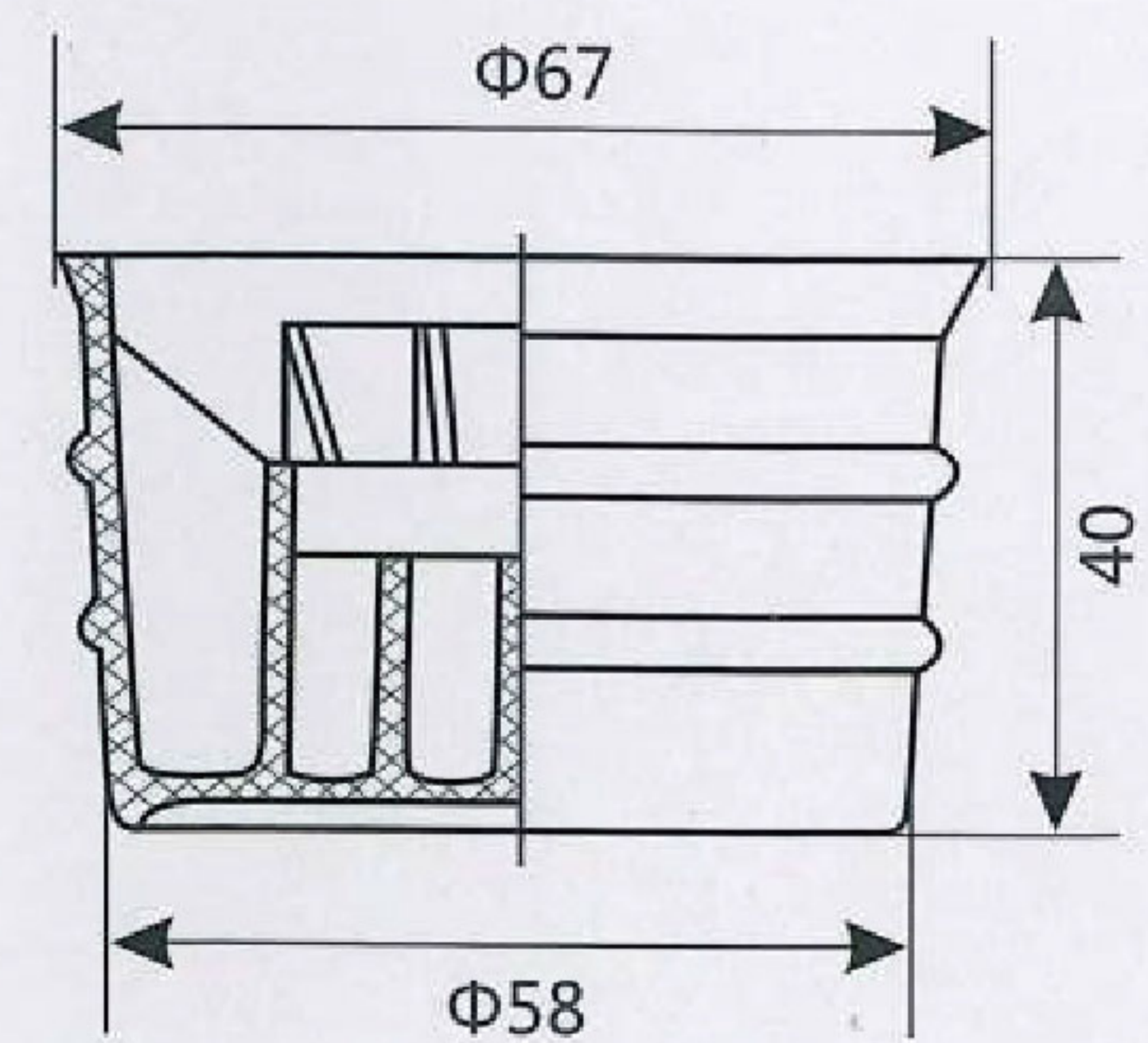
BD $\Phi 63*90$ Lip rimmed large cup



BB $\Phi 60*80$ Lip rimmed medium cup



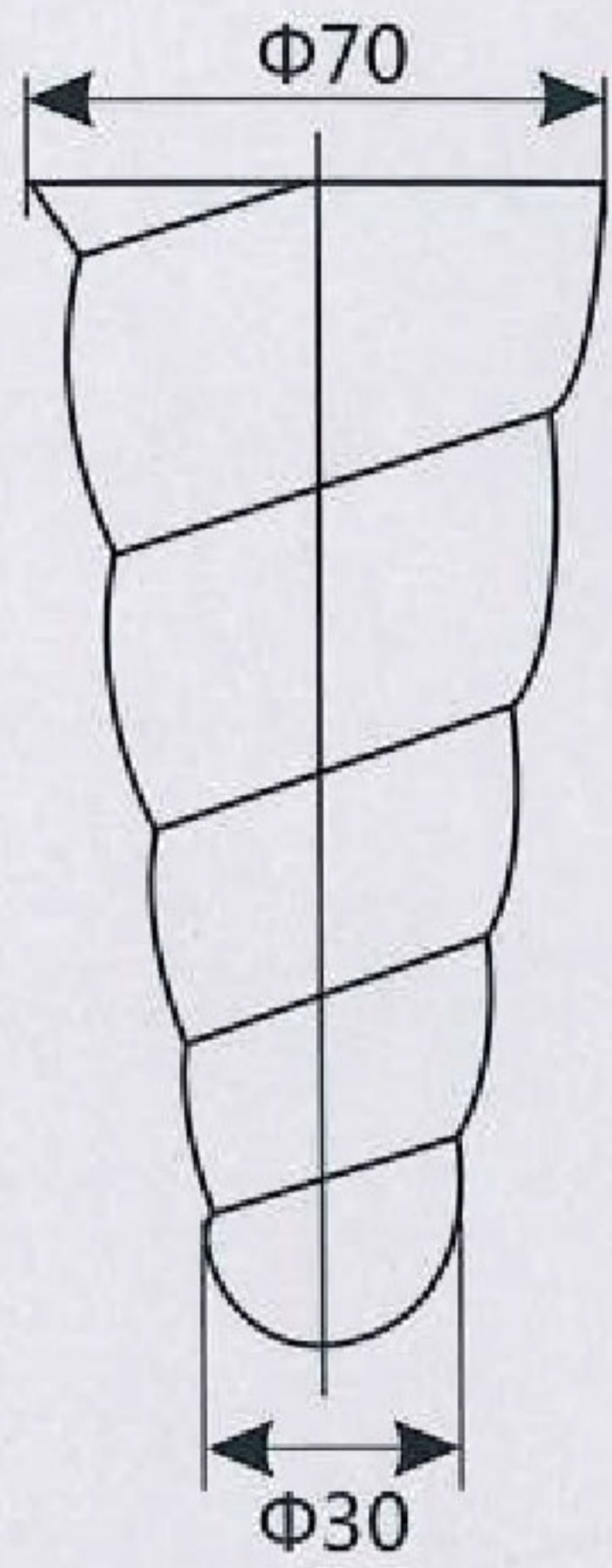
PA $\Phi 67*40$ Bowl shaped cup



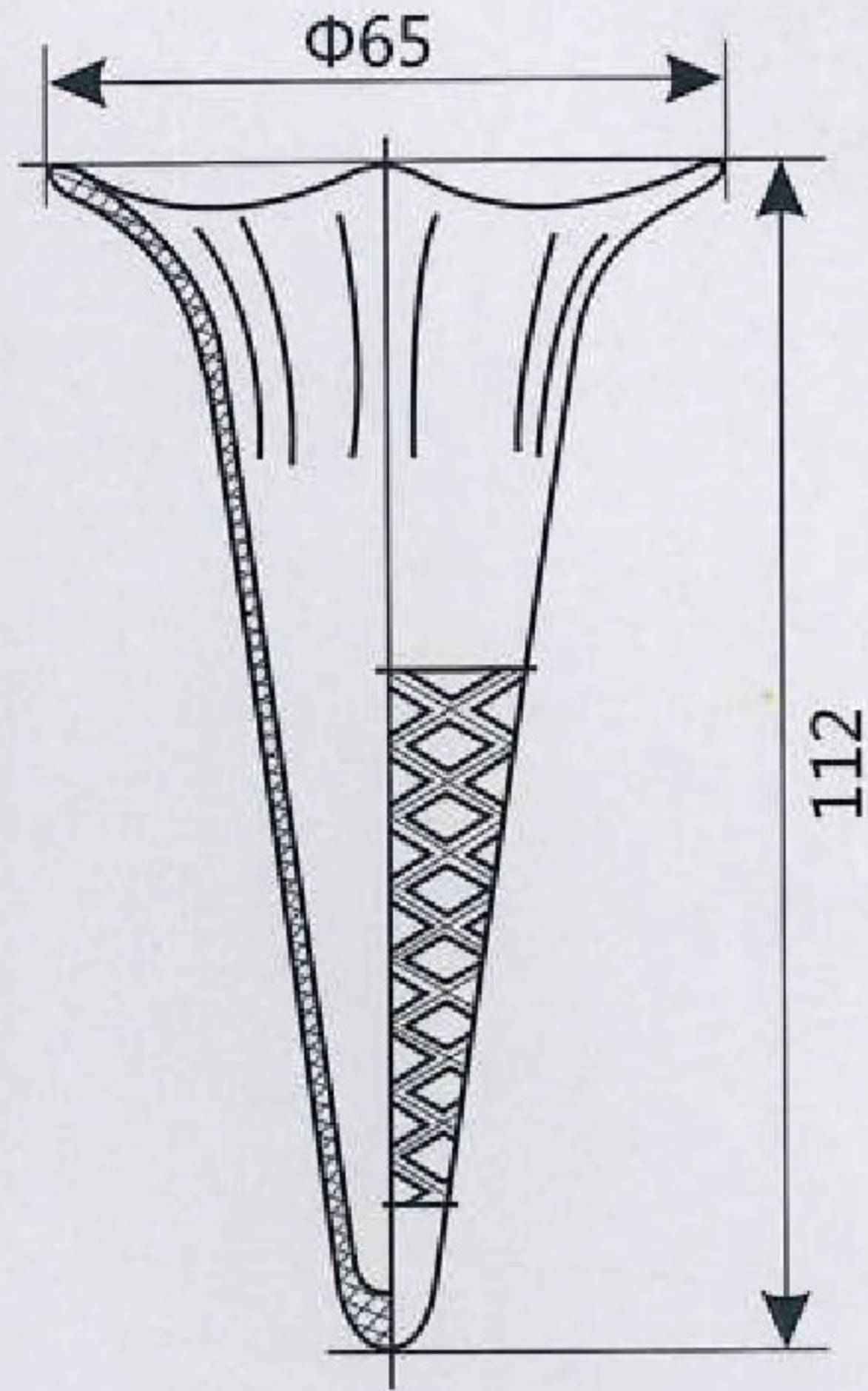


SAMPLE DRAWING OF EGG TRAY

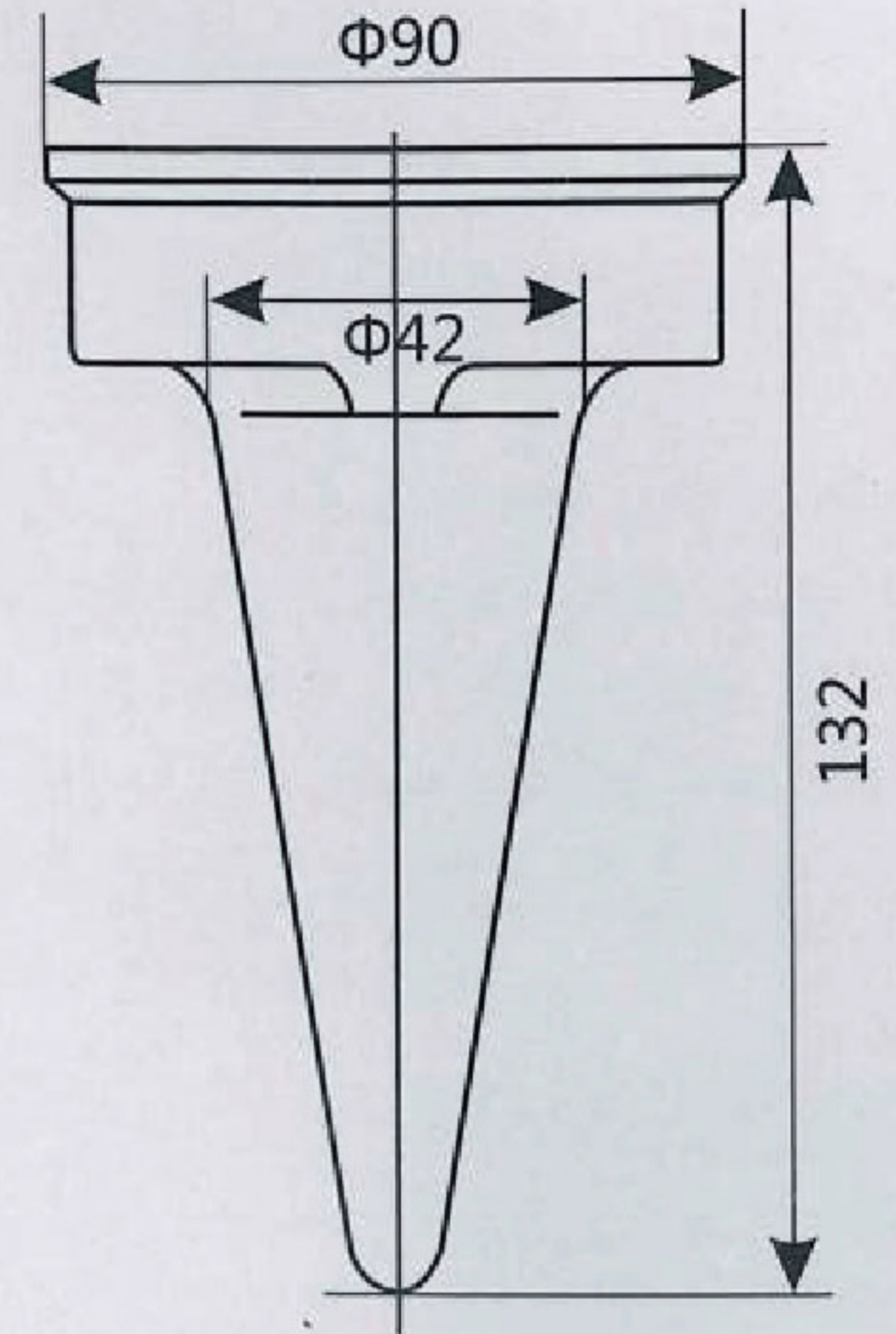
AN $\Phi 70*140$ Conch shaped pizza cup



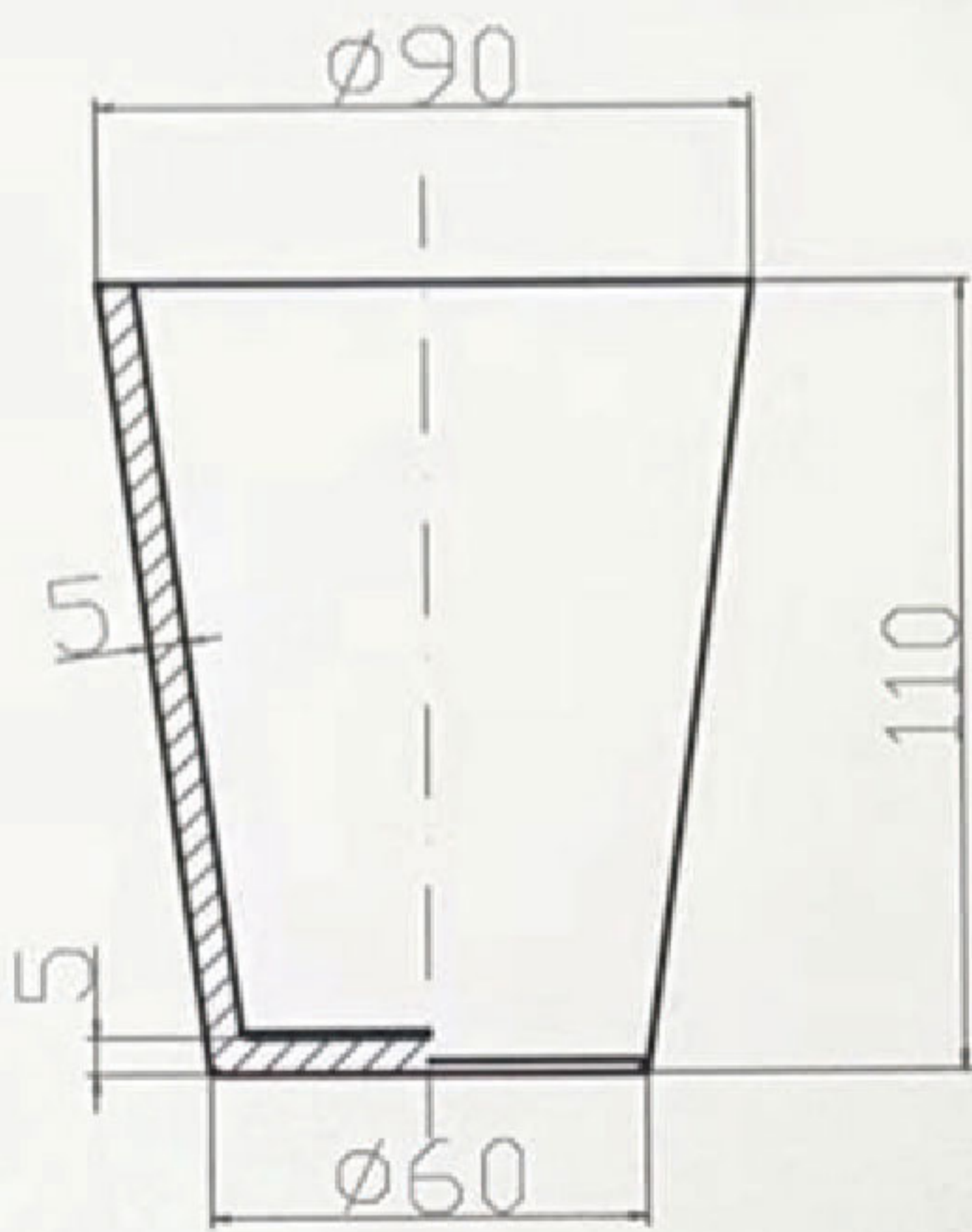
AH $\Phi 65*112$ Medium trumpet flower



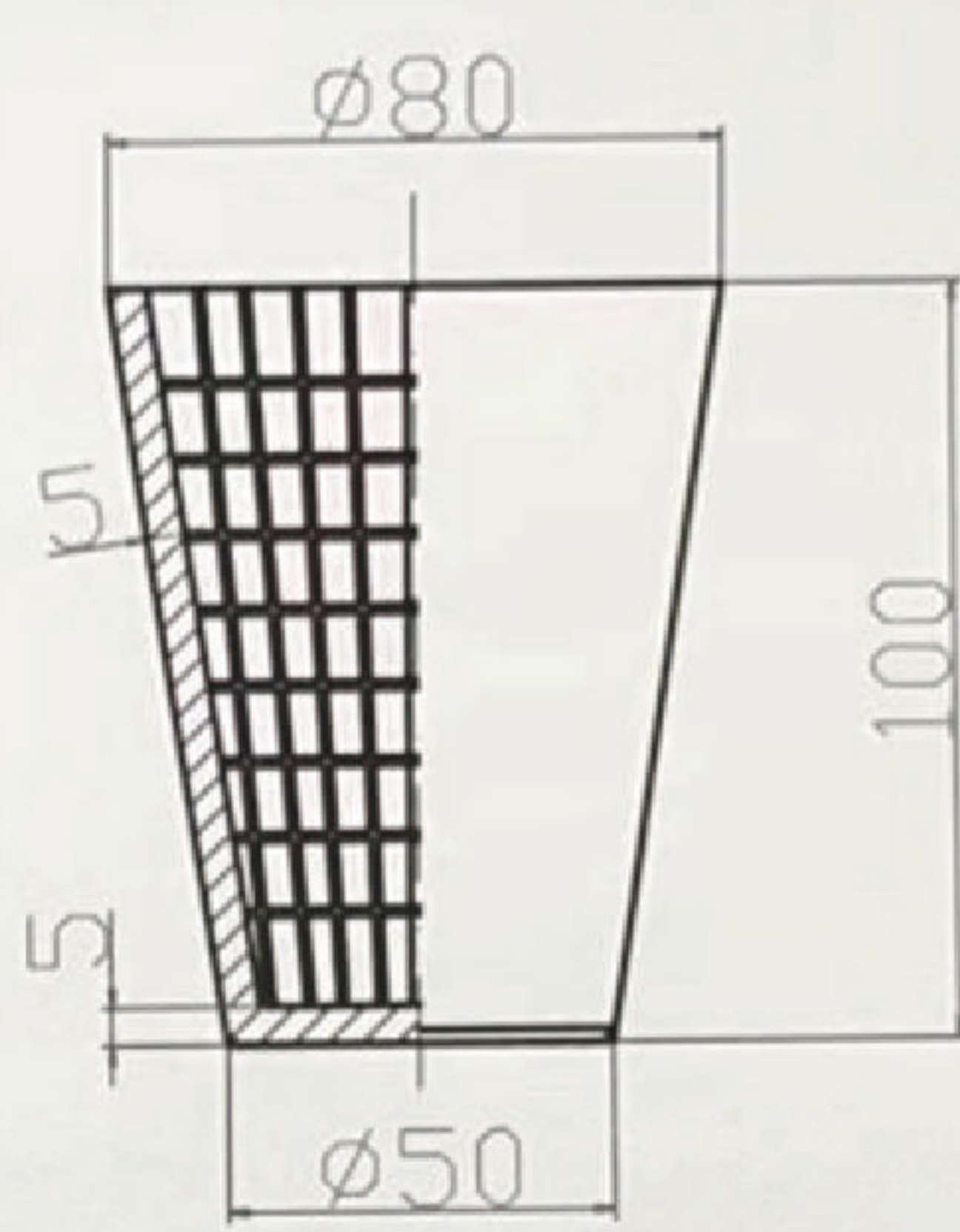
AC $\Phi 90*132$ Triangle



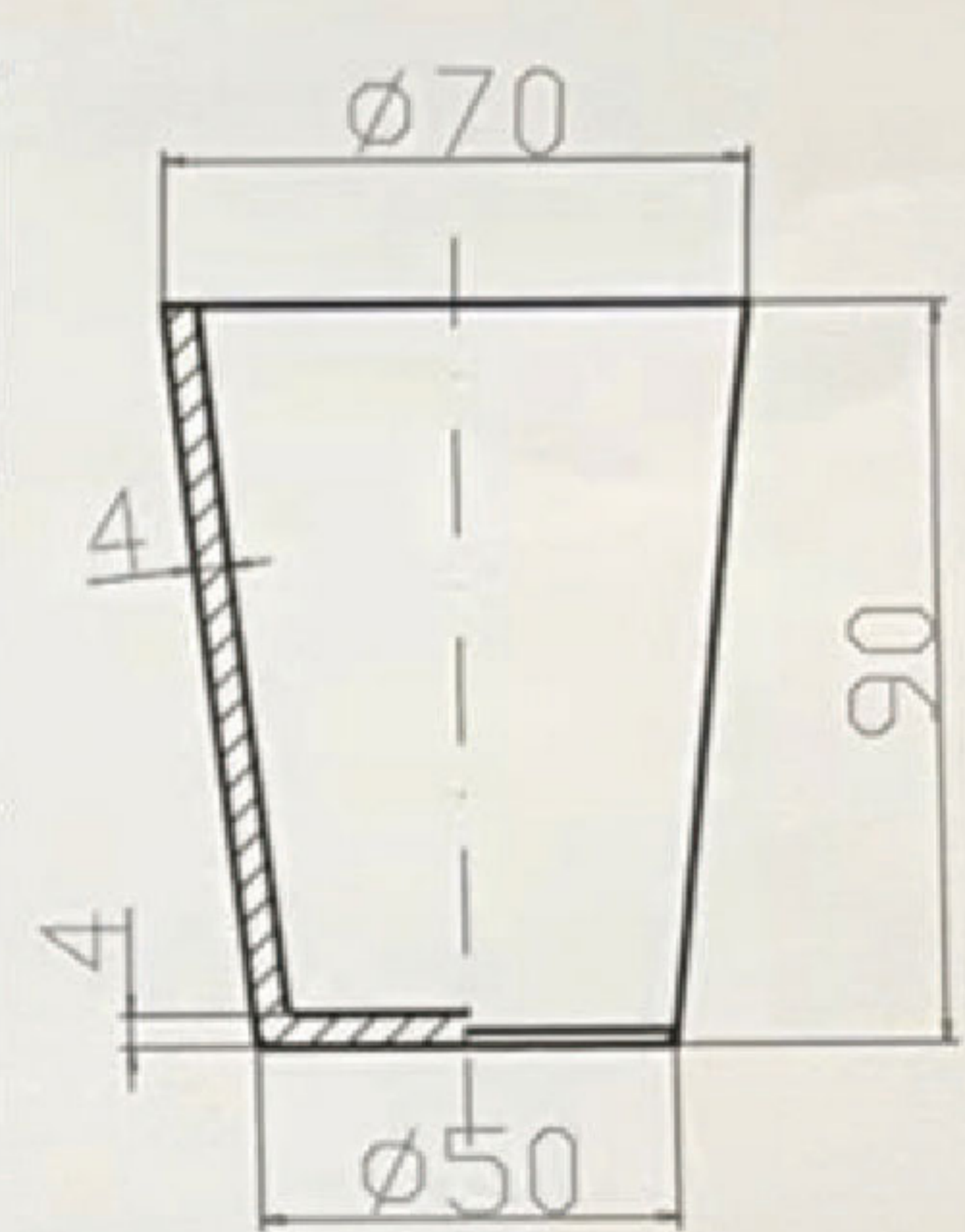
$\Phi 90*110$ Coffee cup



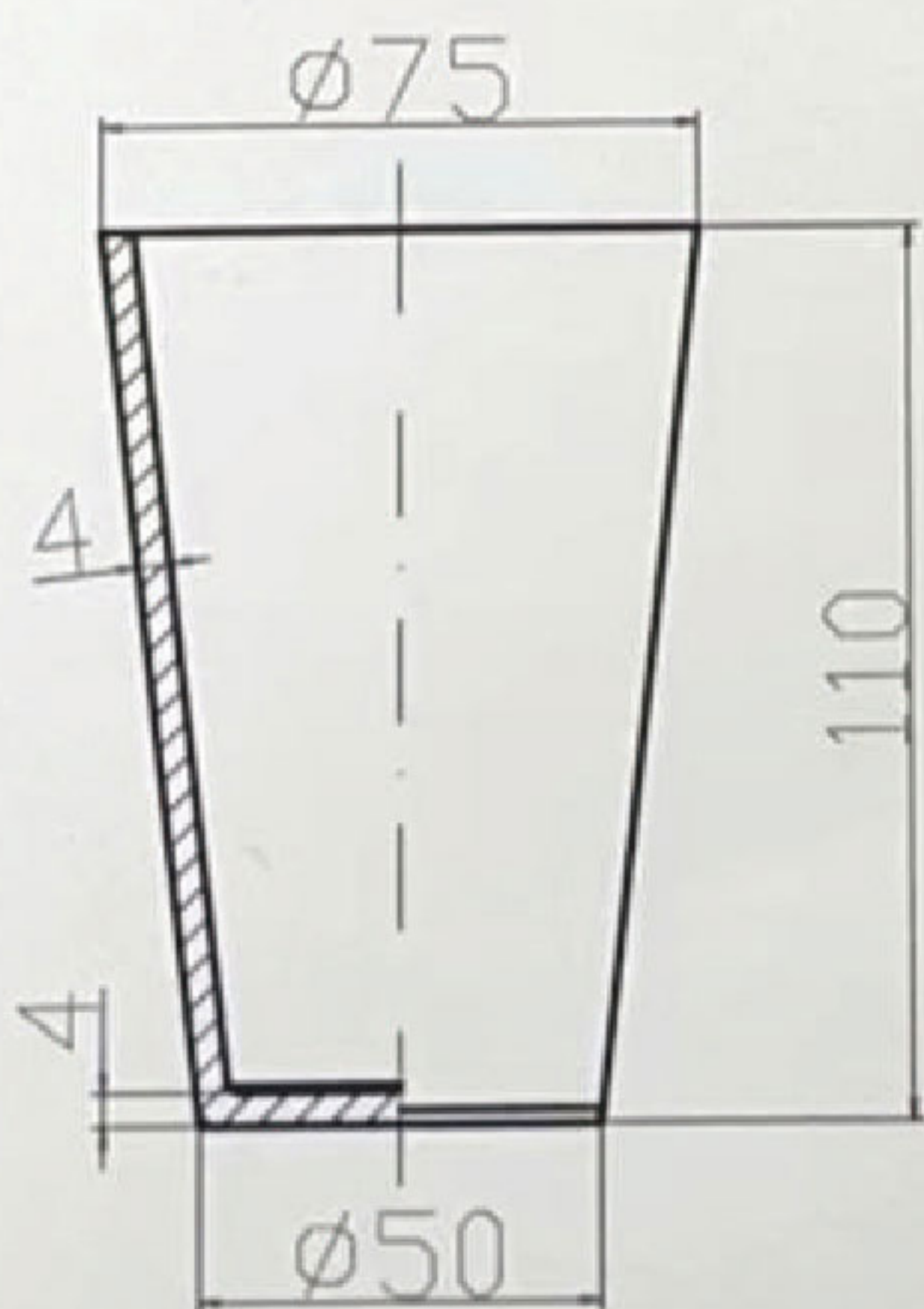
$\Phi 80*110$ Inner grid patterned coffee cup



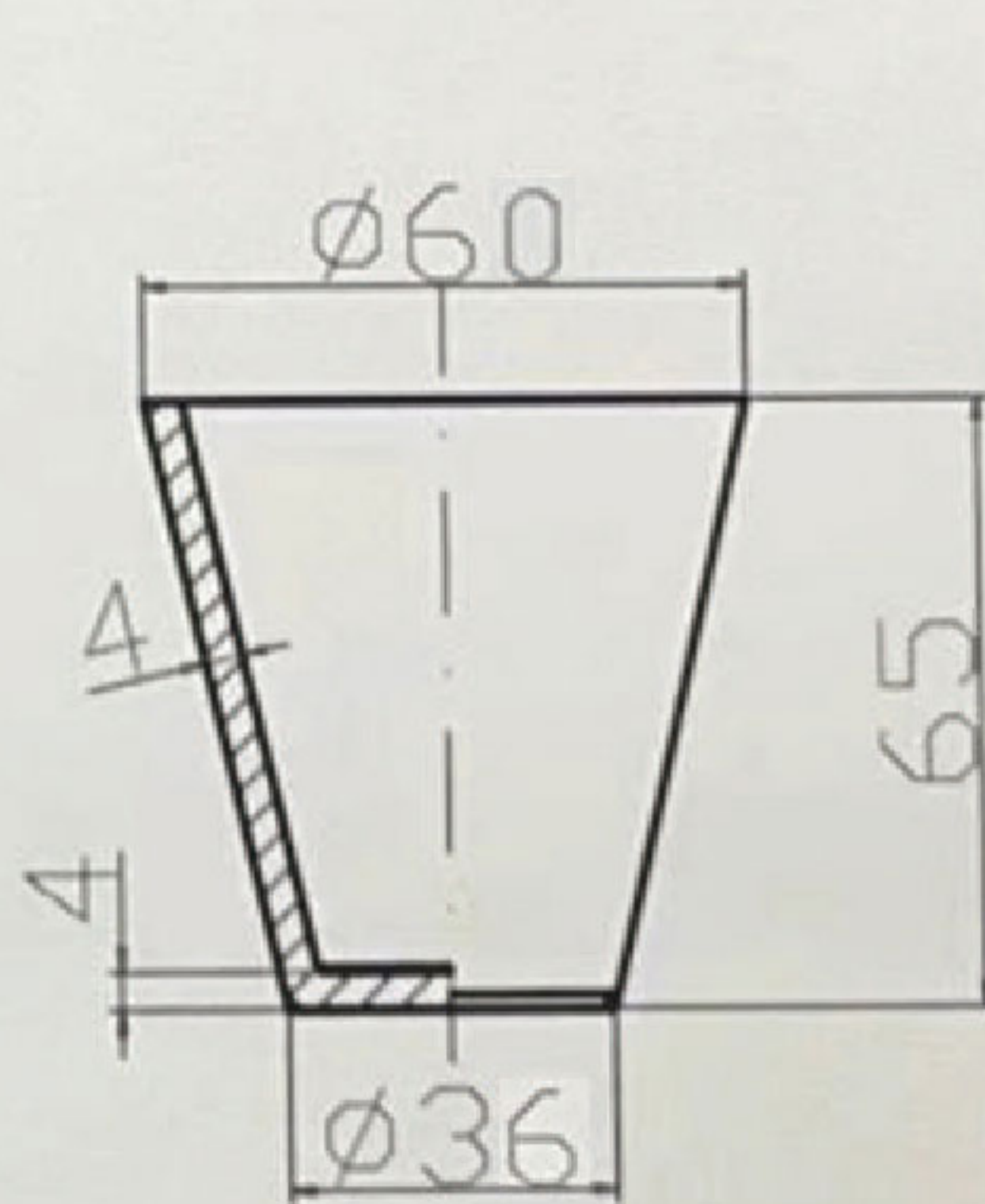
$\Phi 70*90$ Coffee cup



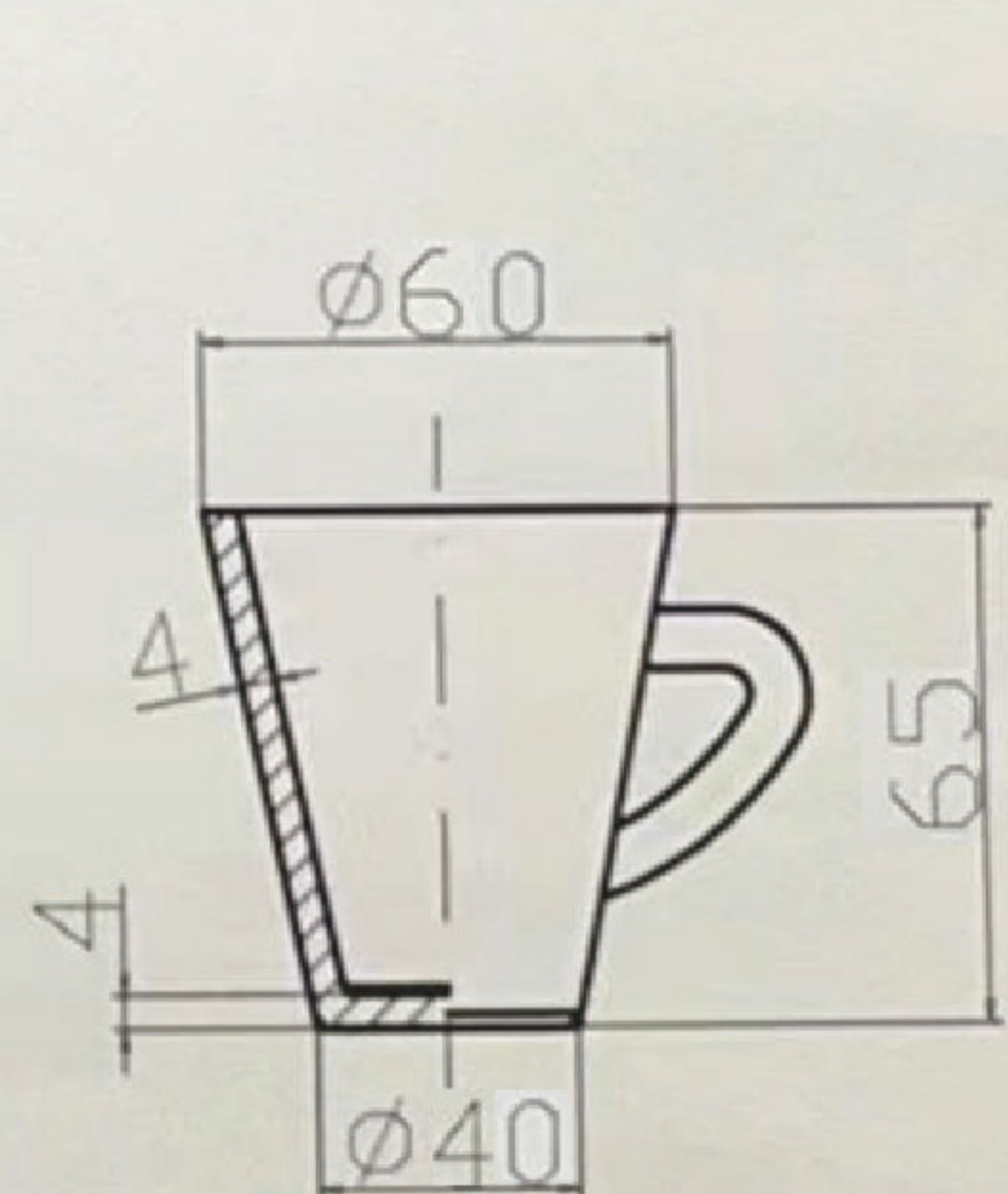
$\Phi 75*110$ Coffee cup



$\Phi 60*65$ Coffee cup



$\Phi 60*65$ Coffee cup with handle



EUROPEAN SOFT ICE CREAM MACHINE SERIES



6401



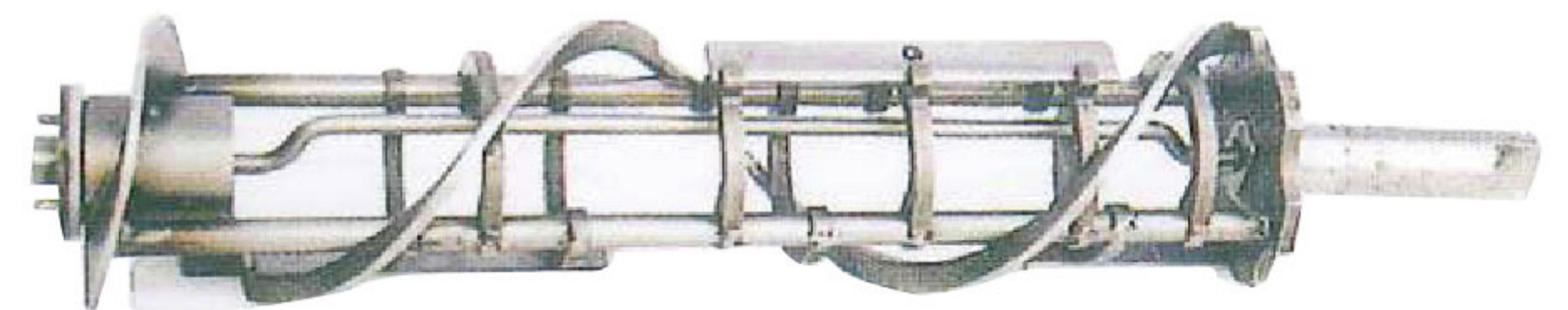
8501



Stainless steel expansion pump

FEATURE

- Brand compressor, fast cooling
- High swelling rate and delicate taste
- Digital control, easy to operate
- Environmental protection and energy conservation, designed to save 20% electricity



Replaceable blade
stainless steel stirrer

Technical Parameter

Model Parameter	Capacity	Voltage	Power	Tank volume	Refrigeration cylinder capacity	Net weight	External dimensions
BQL-8251T	25 L	220V	2.2KW	10 L	1.9 L	115KG	450*730*840
BQL-8301T	30 L	220V	2.4KW	6.8*2	1.9*2	130KG	540*690*840
BQL-8301	30 L	220V	2.4KW	6.8*2	1.9*2	160KG	500*620*1370
BQL-8401	40 L	220V	2.78KW	6.8*2	1.9*2	170KG	500*620*1370
BQL-8501	50 L	220V	2.78KW	15*2	1.9*2	170KG	500*620*1370
BQL-8503	50 L	380V	2.78KW	15*2	2.2*2	180KG	500*620*1370
BQL-8601	60 L	380V	3.7KW	15*2	2.2*2	200KG	500*620*1370

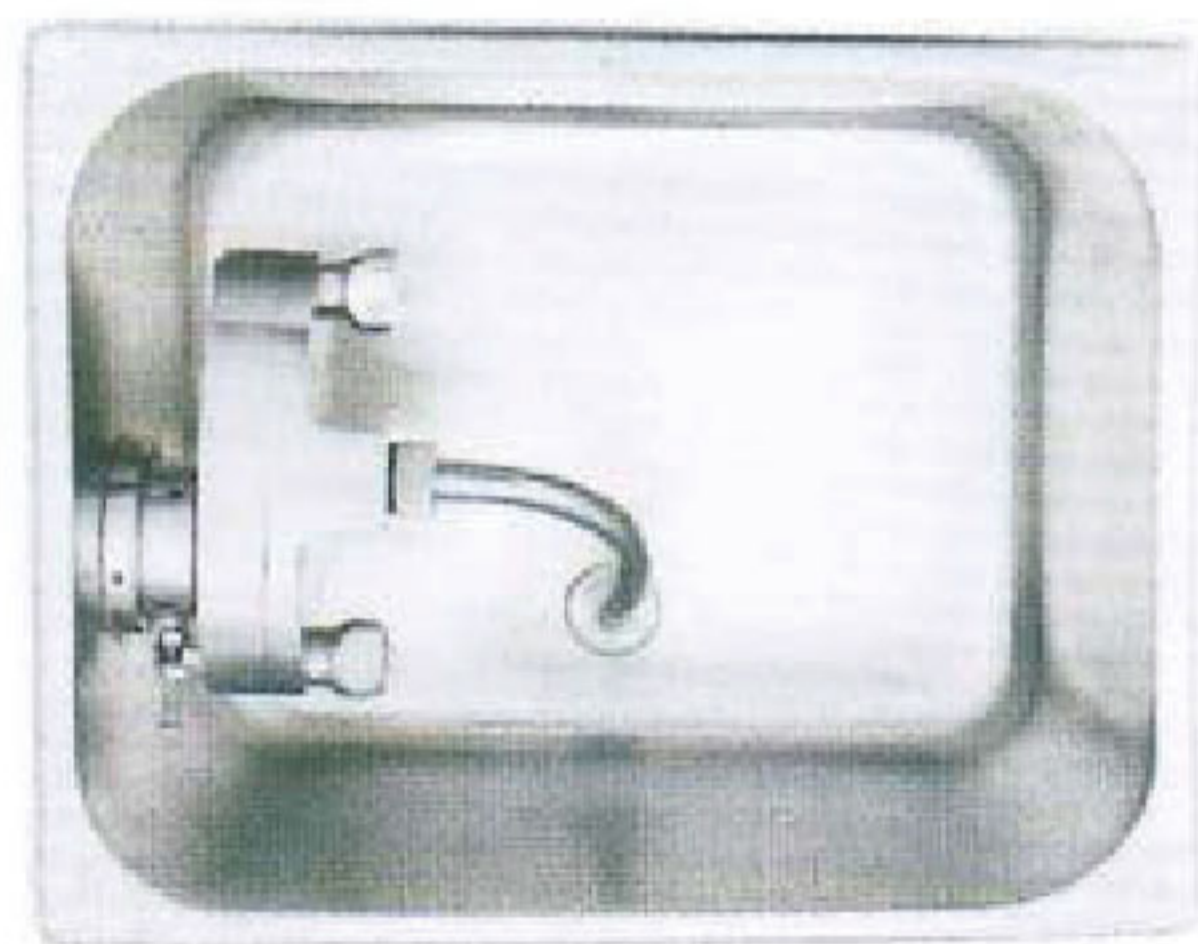
TABLE ICE CREAM MACHINE SERIES



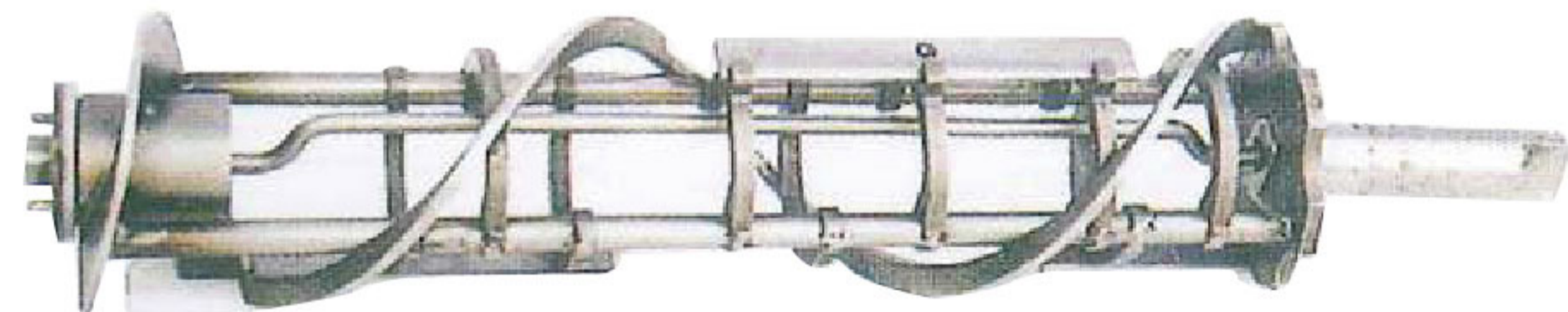
Desktop 8301T model



Single cylinder desktop 8251T model



Stainless steel expansion pump



Replaceable blade stainless steel stirrer

FEATURE

- Brand compressor, fast cooling
- High swelling rate and delicate taste
- Digital control, easy to operate
- Environmental protection and energy conservation, designed to save 20% electricity

Technical Parameter

Model Parameter	Capacity	Voltage	Power	Tank volume	Refrigeration cylinder capacity	Net weight	External dimensions
BQL-8251	25 L	220V	2.2KW	10 L	1.9 L	115KG	450*730*840
BQL-8501	40 L	220V	2.78KW	15*2	1.9*2	180KG	500*620*1370
BQL-8503	50 L	380V	2.78KW	15*2	2.2*2	180KG	500*620*1370
BQL-8603	60 L	380V	3.7KW	15*2	2.2*2	200KG	500*620*1370

FRIED ICE MACHINE SERIES



Single pot ice fryer



Double pot ice fryer



Technical Parameter

Project \ Model	CBJ-20	CBJ-25	CBJ-30	CBJ-50
Voltage	220V/50HZ	220V/50HZ	220V/50HZ	220V/50HZ
Power	1200W	1800W	2200W	3200W
Capacity	20Kg/h	25Kg/h	30Kg/h	50Kg/h
Cryogen	R22/500g	R22/600g	R22/650g	R22/800g
External dimensions	580*580*720	580*580*720	580*580*720	560*1110*720
Weight	54Kg	54Kg	56Kg	89Kg

**The data in this brochure is for reference only, and the specific details are subject to the actual product.*

Hard Ice Cream Machine

- ✔ Various stirring shafts
- ✔ Visual window
- ✔ High quality compressor
- ✔ Automatic discharge design



H16T



CY-618



CY-116



BQ12T/BQ18T



H16C



H32C



CY-N28/CY-N45
CY-N60/CY-N80



BQ26/BQ32/BQ40

Product Description

The main accessory compressor in the hard ice cream machine adopts a big brand compressor, and the motor is also a pure copper core motor, so that the machine can maintain stable working performance.

Technical Parameters

Model	Size	Weight	Voltage	Power	Cylinder capacity	Yield(L/H)
H16T	550*500*750MM	70KG	220/110V	1300KW	4.5L	12-16
CY-618	530*500*700MM	60KG	220V	1400KW	4.3L*1	16-20
CY-116	525*490*640MM	60KG	220V	1400KW	4.3L*1	16-20
BQ12T	500*705*800MM	100KG	220V	1000KW	5.1L*1	10-14
BQ18T	500*705*800MM	110KG	220V	1500KW	5.1L*1	16-18
H16C	550*500*1260MM	80KG	220/110V	1300KW	4.5L	12-16
H32C	550*500*1260MM	90KG	220/110V	2800KW	9.5L	28-32
CY-N28	605*765*1370MM	100KG	220V	2300KW	10L*1	28-32
CY-N45	605*765*1370MM	120KG	220V	2800KW	15L*1	38-45
CY-N60	605*765*1370MM	140KG	220V	3550KW	15L*1	50-60
CY-N80	605*1000*1370MM	160KG	220/380V	3750KW	30L*1	80-90
BQ26	500*700*1350MM	135KG	220V	2400KW	9.5L*1	24-26
BQ32	500*770*1350MM	140KG	220V	2800KW	10.6L*1	28-32
BQ40	500*770*1350MM	150KG	220V	3200KW	10.6L*1	36-42

Ice cream cone production line

- ✔ High automation
- ✔ Long working life
- ✔ Low cost maintenance
- ✔ Support customization

- Waffle cone machine -



- Wafer cone machine -



Product Description

Automatic ice cream cone making machine is a kind of PLC control, high degree of automation, high production efficiency, stable performance of the production machinery. It can make sugar rolled cone, egg roll, round thin biscuit, wafer biscuit and bowl-shaped cup.

Technical Parameters

Name	Power	Voltage(v)	Weight(kg)	Size(mm)	Capacity
Heating mixing drum	4	220/380	200	800*1650	200L
Ice cream cone baking machine	3.37	220/380	4300	7600*2100*2000	3500-4000pcs/h
Conveyor belt machine	0.75	220/380	250	5000*800*500	200/h
Automatic bagging machine	0.75	220/380	200	2400*1100*1200	5000pcs/h

Popsicle machine

- ✓ Various mold shapes
- ✓ Support customization
- ✓ Mold is made of SUS 304
- ✓ Good quality and fast forming



Product Description

Popsicle machine is a kind of equipment used for cooling and forming Popsicle machine, suitable for cold drink shops, food processing factories, convenience stores, various entertainment areas and other places. The Popsicle machine has a microcomputer control system, which can control the temperature more accurately. It has the characteristics of high-speed refrigeration, rapid prototyping, easy operation and quiet operation. And the shape and size of the Popsicle mold can be customized, which can meet all the requirements of customers. It is an ideal Popsicle making equipment.



1 mold



2 molds



4 molds



10 molds

Technical Parameters

Model	GD-1	GD-2	GD-6	GD-8	GD-10	GD-12
Dimensions(mm)	600*400*960	760*500*960	1990*915*750+250	2400*920*680+250	3120*960*680+250	3400*720*680+250
Voltage	220V/50HZ	220V/50HZ	380V/50HZ	380V/50HZ	380V/50HZ	380V/50HZ
Power(w)	900	1200	3000	5000	6000	6000
Weight(kg)	58	72	250	280	320	350
Condenser	air cooled	air cooled	air cooled	air cooled	air cooled	air cooled
Compressor	Japan Meizhi 1P	Japan Meizhi 1.5P	Meizhi/Panasonic3P	Meizhi/Panasonic5P	Meizhi/Panasonic6P	Meizhi/Panasonic6P
Refrigerant	R22/R410	R22/R410	R22	R22	R22	R22
Daily output	3000 pcs	6000 pcs	16000 pcs	23000 pcs	32000 pcs	36000 pcs
GW	81KG	104KG	350KG	380KG	430KG	460KG
Packing size(mm)	685*520*1077	845*621*1105	2220*1005*1260	3000*880*945	3200*1200*970	3450*1170*970
Coolant(kg)	40	45	200	300	400	470



Big ice block make machine

- ✔ Good quality and fast forming
- ✔ Simple and easy to operate
- ✔ Mold is made of SUS 304
- ✔ Support customization



Product Description

Ice block machine is a piece of equipment used to freeze large ice cubes/block/brick. It is suitable for frozen food processing plants, hotels, cafeterias, Ocean Zoo and other places. Ice block making machine has a microcomputer control system, which can control the temperature more accurately. It has the characteristics of high-speed refrigeration, rapid prototyping, easy operation, and silent operation. The shape and size of the mold can be customized to meet all customer requirements, making it an ideal ice-making equipment.

Technical Parameters

Model	GD-IBMM-1T	GD-IBMM-5T
Number of mold	18	80
Voltage	380V/50HZ	380V/50HZ
Condensation method	air cooled	water cooled
Compressor	Matsushita, Japan	Matsushita, Japan
Refrigerant	R22/R410	R22
Power	5.5kw	30kw
Daily output	1T/24h	5T/24h
Machine size	2300*850*1350mm	4450*1430*1400mm
Mold size	220*80*650mm 10kg	220*80*650mm 10kg
Time	4h	4h
Net weight	300kg	1200kg



Ice cream filling machine

- ✔ Filling device
- ✔ Sealing device
- ✔ Film falling device
- ✔ Cup dropping device

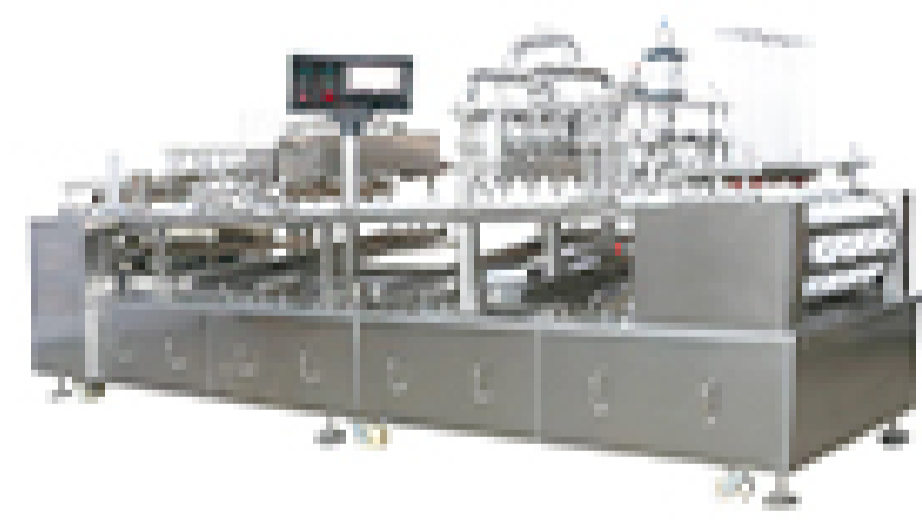


Product Description

The ice cream filling machine is suitable for filling various ice cream latte art, twisted patterns, crisp cones, round square cups and various cup-shaped ice creams. The machine adopts touch screen display and PLC automatic control, and can preset and store the product color programs produced. It is an ideal choice for small and medium-sized cold food manufacturers.



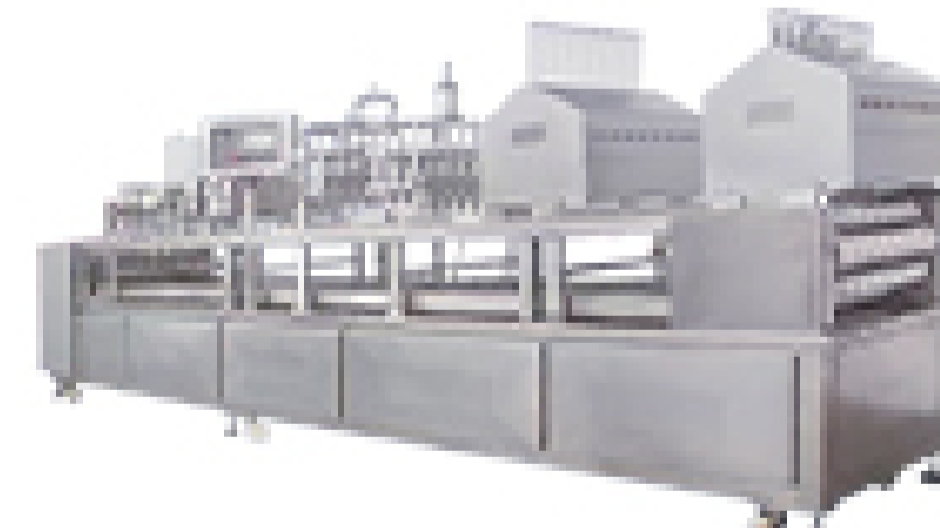
GD-16A



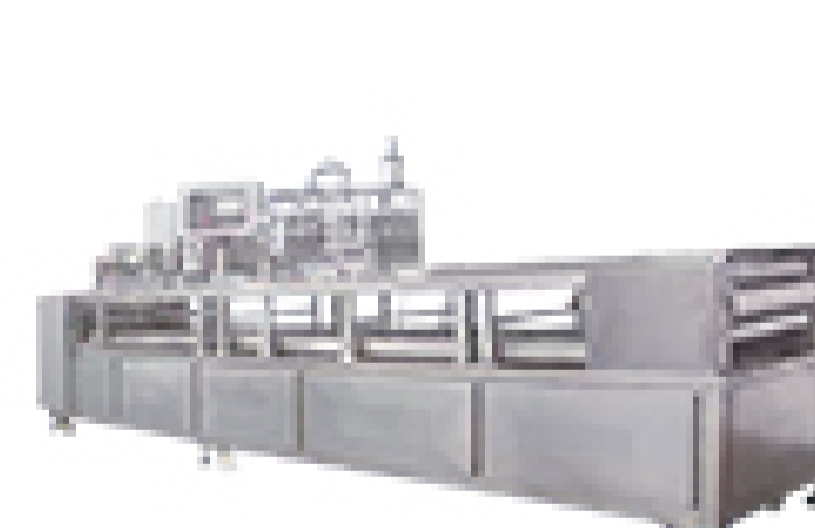
GD-4B



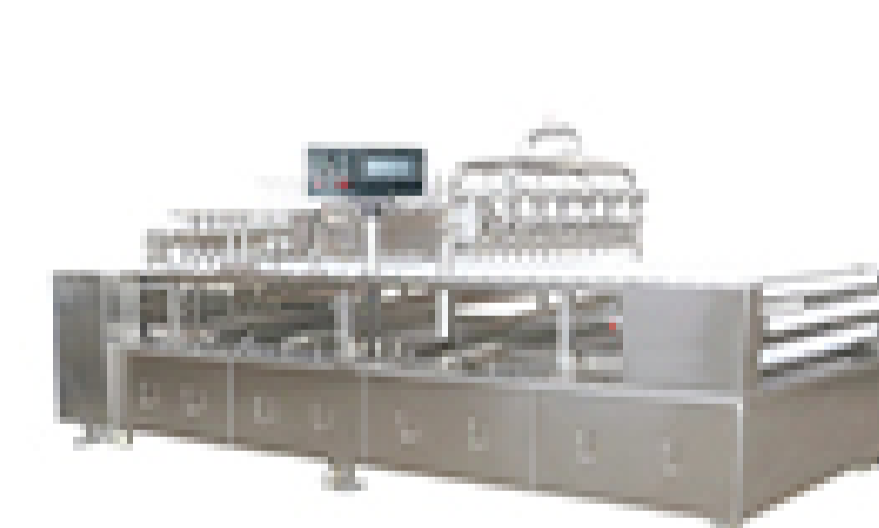
GD-6A



GD-8L



GD-10B



GD-12




GD-24B

Technical Parameters

Model	Capacity	Unit filling weight	Voltage	Power	Air consumption	Use pressure	Size(mm)
GD-16A	600L/h	50-150 g/cup	380v-50hz	2.5kw	0.8m ³ /min	0.5-0.6 (mpa)	1350x1120x1700
GD-4B	1200L/h	50-200 g/cup	380v-50hz	4.5kw	1.3m ³ /min	0.5-0.6 (mpa)	4800x900x2000
GD-6A	1200-2400L/h	50-200 g/cup	380v-50hz	6.2kw	1.9m ³ /min	0.5-0.6 (mpa)	4800x1200x2000
GD-8L	8000-21000cup/h	20-500 g/cup	380v-60hz	4.5kw	1.2m ³ /min	0.5-0.6 (mpa)	5600x1140x2400
GD-12	12000-25000cup/h	20-200 g/cup	380v-60hz	6.2kw	1.9m ³ /min	0.5-0.6 (mpa)	4800x1140x2000

HENAN GONDOR INDUSTRY CO., LTD.

 **Tel:** +8617324804737

 **E-mail:** inquiry@gondorindustry.com

 **Website:** www.gondorindustry.com

